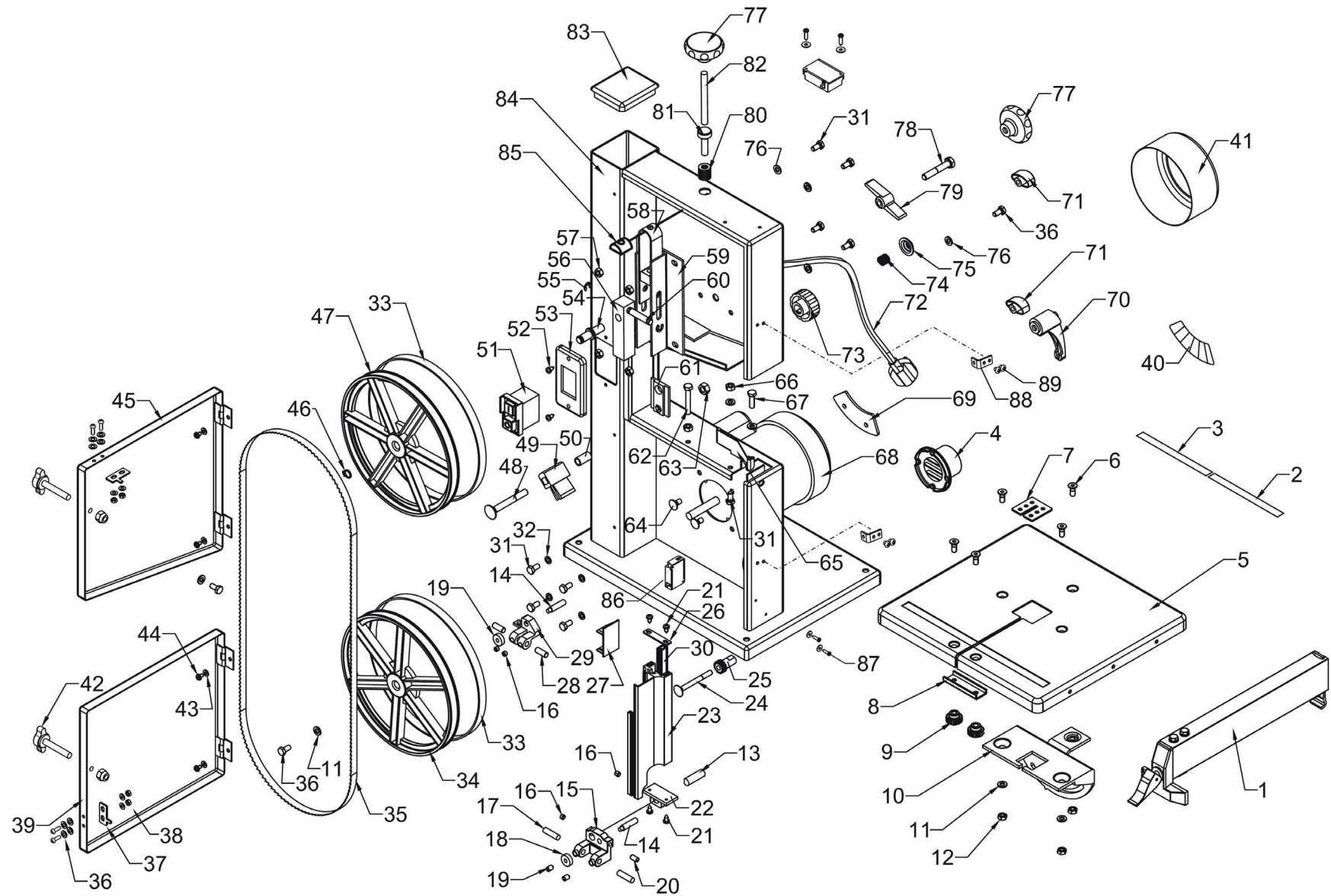




Parts Information:
Professional Bandsaw 200mm
Model No: SM1303.V2



Sealey Group, Kempson Way, Suffolk Business Park, Bury St Edmunds, Suffolk. IP32 7AR



01284 757500



01284 703534



sales@sealey.co.uk



www.sealey.co.uk



Parts Information:
Professional Bandsaw 200mm
Model No: SM1303.V2

Item	Part No.	Description
1	SM1303.V2-01	RIP FENCE ASSY
2	SM1303.V2-02	SCALE LABEL RIGHT
3	SM1303.V2-03	SCALE LABEL LEFT
4	SM1303.V2-04	SUCTION CONNECTOR
5	SM1303.V2-05	WORKING TABLE
6	SM1303.V2-06	COUNTERSUNK HEX HEAD BOLT
7	SM1303.V2-07	TABLE INSERT
8	SM1303.V2-08	U-PLATE
9	SM1303.V2-09	NUT
10	SM1303.V2-10	TABLE SUPPORT
11	SM1303.V2-11	WASHER
12	SM1303.V2-12	NUT
13	SM1303.V2-13	LOCKING PIN
14	SM1303.V2-14	THRUST BEARING SHAFT
15	SM1303.V2-15	HOUSING UPPER GUIDE
16	SM1303.V2-16	HEX SOCKET SET SCREW
17	SM1303.V2-17	UPPER PILOT PIN
18	SM1303.V2-18	BEARING
19	SM1303.V2-19	HEX SOCKET SET SCREW
20	SM1303.V2-20	HEX SOCKET SET SCREW
21	SM1303.V2-21	SELF TAPPING SCREW PAN HEAD
22	SM1303.V2-22	SEAT UPPER GUIDE
23	SM1303.V2-23	GUIDE LEVER
24	SM1303.V2-24	CUP HEAD SQUARE NECK BOLT
25	SM1303.V2-25	SHAFT
26	SM1303.V2-26	COVER BOARD
27	SM1303.V2-27	SLIDE BOARD
28	SM1303.V2-28	LOWER PILOT PIN
29	SM1303.V2-29	HOUSING LOWER GUIDE
30	SM1303.V2-30	RACK
31	SM1303.V2-31	HEX BOLT
32	SM1303.V2-32	SPRING WASHER
33	SM1303.V2-33	BAND SAW TYRE
34	SM1303.V2-34	LOWER WHEEL
36	SM1303.V2-36	BOLT
37	SM1303.V2-37	INSERT SLICE
38	SM1303.V2-38	NUT
39	SM1303.V2-39	DOOR LOWER
40	SM1303.V2-40	ANGEL SCALE LABEL
41	SM1303.V2-41	FAN COVER
42	SM1303.V2-42	KNOB
43	SM1303.V2-43	WASHER
44	SM1303.V2-44	PAN HEAD SCREW
45	SM1303.V2-45	DOOR UPPER
46	SM1303.V2-46	CIRCLIP FOR SHAFT
47	SM1303.V2-47	UPPER WHEEL
48	SM1303.V2-48	CUP HEAD SQUARE NECK BOLT
49	SM1304.V2-45	BRUSH

Item	Part No.	Description
50	SM1303.V2-50	SPACER BUSHING
51	SM1303.V2-51	SWITCH
52	SM1303.V2-52	CROSS COUNTERSUNK HEAD SCREW
53	SM1303.V2-53	SWITCH PLATE
54	SM1303.V2-54	BEARING BOLT UPPER
55	SM1303.V2-55	BEARING GASKET
56	SM1303.V2-56	BEARING BOLT SUPPORT UPPER
57	SM1303.V2-57	HEX FLANGED NUT
58	SM1303.V2-58	BLADE TENSIONER
59	SM1303.V2-59	GUIDE PLATE ASSY
60	SM1303.V2-60	PIN GUIDE
61	SM1303.V2-61	GUIDE PIECE
62	SM1303.V2-62	HEX BOLT
63	SM1303.V2-63	HEX FLANGED NUT
64	SM1303.V2-64	CUP HEAD SQUARE NECK BOLT
65	SM1303.V2-65	LOWER BLADE GUARD
66	SM1303.V2-66	HEX LOCKING NUT
67	SM1303.V2-67	HEX BOLT
68	SM1303.V2-68	MOTOR
69	SM1303.V2-69	PLANK
70	SM1303.V2-70	LOCKING HANDLE
71	SM1304.V2-64	LOCKING KNOB
72	SM1303.V2-72	POWER CORD AND PLUG
73	SM1303.V2-73	SETTING KNOB
74	SM1303.V2-74	SPRING
75	SM1303.V2-75	DISHING COVER
76	SM1303.V2-76	WASHER
77	SM1304.V2-31	SETTING KNOB
78	SM1303.V2-78	HEX BOLT
79	SM1304.V2-37	WING KNOB
80	SM1303.V2-80	BUTTERFLY SPRING
81	SM1303.V2-81	SHAFT
82	SM1303.V2-82	THREAD BOLT
83	SM1303.V2-83	LAMELLA PLUG
84	SM1303.V2-84	FRAME
85	SM1303.V2-85	NUT
86	SM1303.V2-86	MICRO SWITCH
87	SM1303.V2-87	SCREW
88	SM1303.V2-88	FIXED PLATES
89	SM1303.V2-89	PAN HEAD SCREW
--	SM1303B06	BANDSAW BLADE 1400 x 6.5 x 0.35mm 6tpi (not shown)
--	SM1303B10	BANDSAW BLADE 1400 x 6.5 x 0.35mm 10tpi (not shown)
--	SM1303B14	BANDSAW BLADE 1400 x 6.5 x 0.35mm 14tpi (not shown)
--	SM1303B24	BANDSAW BLADE 1400 x 6.5 x 0.35mm 24tpi (not shown)

