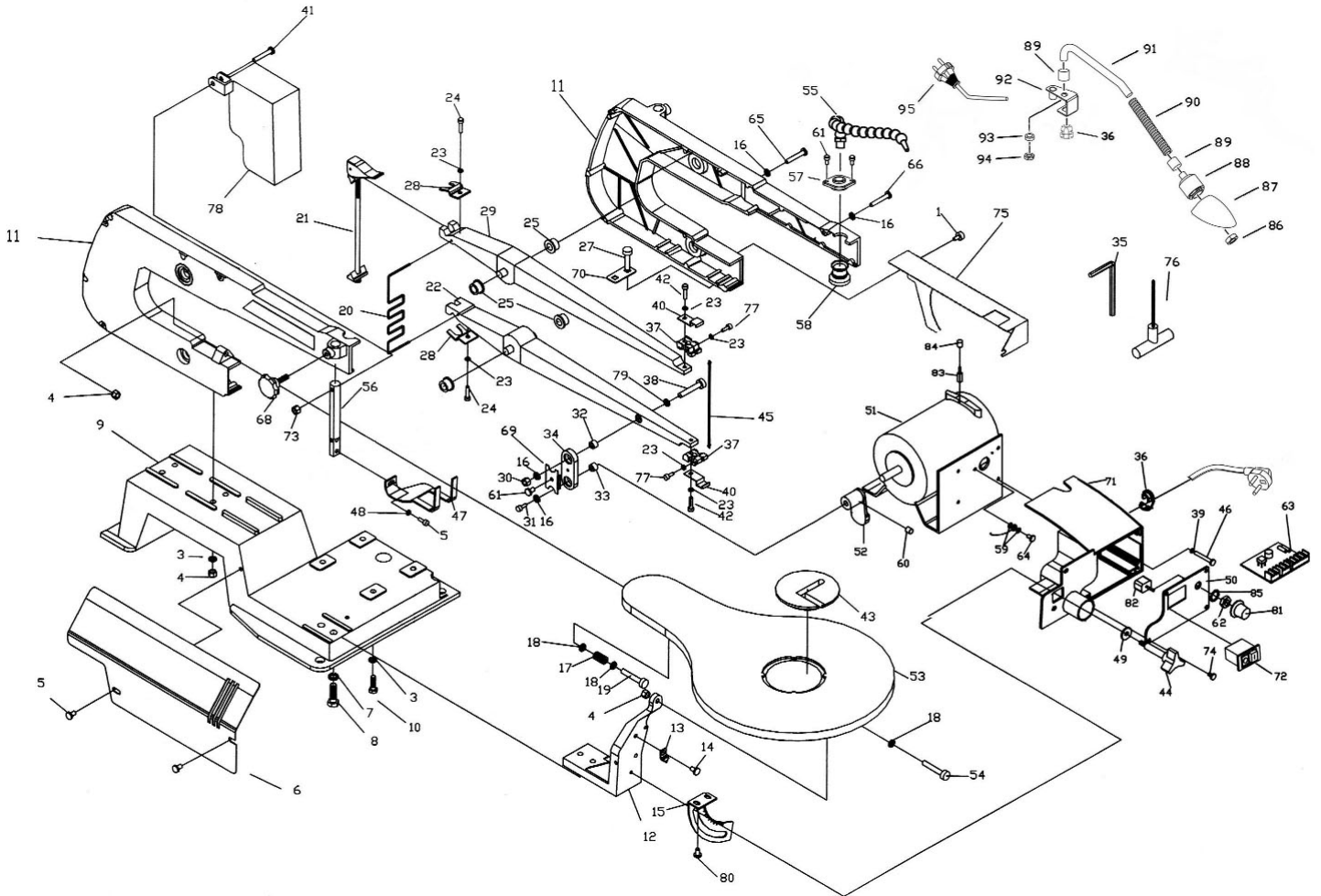




Parts Information:
Variable Speed Scroll Saw 406mm Throat
230V
Model No: SM1302



Item	Part No.	Description
1	SM1302.01	RD Head S/T Screw m4.2 x 10
3	SWM6.S	Spring Washer M6 Zinc (Single)
4	SN6.S	Steel Nut M6 Zinc din934 (Single)
5	SM1302.05	Pan Head Screw (m5x10)
6	SM1302.06	Plate Cover
7	SWM6.S	Spring Washer M6 Zinc (Single)
8	SS825.S	Hex Head Set Screw m8x25mm Single
9	SM1302.09	Base

Item	Part No.	Description
10	SS616.S	Hex Head Set Screw m6x16mm Single
11	SM1302.11	Arm Housing Set
12	SM1302.12	Support Table
13	SM1302.13	Scale Indicator
14	MSP612.S	Machine Screw Pan Head Phillips m6x12mm (Single)
15	SM1302.15	Bevel Scale
16	SWM5.S	Spring Washer M5 Zinc (Single)
17	SM1302.17	Spring

NOTE: It is our policy to continually improve products and as such we reserve the right to alter data, specifications and component parts without prior notice.

IMPORTANT: No liability is accepted for incorrect use of product.

WARRANTY: Guarantee is 12 months from purchase date, proof of which will be required for any claim.

Sealey Group, Kempson Way, Suffolk Business Park, Bury St Edmunds, Suffolk. IP32 7AR



01284 757500



01284 703534



sales@sealey.co.uk



www.sealey.co.uk



Parts Information:
**Variable Speed Scroll Saw 406mm Throat
 230V
 Model No: SM1302**

Item	Part No.	Description
18	FWM6.S	Flat Washer M6 Single
19	SM1302.19	Hex Socket Screw (m6x40)
20	SM1302.20	Spring
21	SM1302.21	Blade Tension Set
22	SM1302.22	Arm,Lower
23	SWM4.SB	Spring Washer M4 Black (Single)
24	SCB410.SB	Socket Head Cap Screw m4x10 Black
25	SM1302.25	Bearing Flange
27	CBN625.S	Coach Bolt m6x25mm (Single)
28	SM1302.28	Retainer
29	SM1302.29	Arm, Upper
30	SN5.S	Steel Nut M5 Zinc din934 (Single)
31	SCB520.SB	Socket Head Cap Screw m5x20 Black
32	B/625ZZ	Bearing 625ZZ
33	SM1302.33	Spacer Bearing
34	SM1302.34	Link
35	SM1302.35	Hex Key 4mm
36	SM1302.36	Strain Relief
37	SM1302.37	Blade Adapter
38	SCB525.SB	Socket Head Cap Screw m5x25 Black
39	FWM8.S	Flat Washer M8 Single
40	SM1302.40	Plate Chip
41	MSP58.S	Machine Screw Pan Head Phillips m5x8mm (Single)
42	SCB420.SB	Socket Head Cap Screw m4x20 Black
43	SM1302.43	Table Insert
44	SM1302.44	Table Lock Knob
45	SM1302.45	Blade
46	MSP416.S	Machine Screw Pan Head Phillips m4x16mm (Single)
47	SM1302.47	Drop Foot
48	SM1302.48	Tooth Washer
49	SM1302.49	Washer
50	SM1302.50	Switch Plate
51	SM1302.51	Motor
52	SM1302.52	Eccentric
53	SM1302.V2-53	Table
54	SCB635.SB	Socket Head Cap Screw m6x35 Black
55	SM1302.55	Plastic Tubing
56	SM1302.56	Adjustment Level
57	SM1302.57	Bellows Lock
58	SM1302.58	Bellows
59	TS10SEW.121	M4 Ext Tooth Washer Zinc

Item	Part No.	Description
60	GSM88.S	Grub Screw m8x8 (Single)
61	SM1302.61	RD Head S/T Screw m4x8
62	SM1302.62	M10 Thin Hex Nut bzp
63	SM1302.63	PCB (Pre August 2009)
--	SM1302.63N	PCB (August 2009 Onwards) (NOT SHOWN)
64	MSP46.S	Machine Screw Pan Head Phillips m4x6mm (Single)
65	MSP535.S	Machine Screw Pan Head Phillips m5x35mm (Single)
66	MSP530.S	Machine Screw Pan Head Phillips m5x30mm (Single)
68	SM1302.68	Knob
69	SM1302.69	Bearing Retainer
70	SM1302.70	Set Plate
71	SM1302.71	Switch Box
72	SM1302.72	On/Off Switch
73	NLN5.S	Nyloc Nut M5 Zinc din 985 (Single)
74	SM1302.74	RD Head S/T Screw m4x13
75	SM1302.75	Back Plate Cover
76	SM1302.76	3mm T-Handle Hex Key
77	SCB420.SB	Socket Head Cap Screw m4x20 Black
78	SM1302.78	Blade Guard
79	SM1302.79	Flat Washer M5
--	FWM5.S	Flat Washer M5 Single (NOT SHOWN)
80	MSP510.S	Machine Screw Pan Head Phillips m5x10mm (Single)
81	SM1302.81	Adjust Knob
82	SM1302.82	Relay
83	SM1302.83	Carbon Brush (Single)
84	SM1302.84	Carbon Brush Cover
85	SWM10.S	Spring Washer M10 Zinc (Single)
86	SM1302.86	Ring
87	SM1302.87	Lamp Cover
88	SM1302.88	Socket
89	SM1302.89	Tube
90	SM1302.90	Nylon Tube
91	SM1302.91	Pipe
92	SM1302.92	Connection Ass'y
93	SM1302.93	Spring Washer M10
--	SWM10.S	Spring Washer M10 Zinc (Single) (NOT SHOWN)
94	SN10.S	Steel Nut M10 Zinc din934(Single)
--	SM1302.95	Rubber Foot (NOT SHOWN)

NOTE: It is our policy to continually improve products and as such we reserve the right to alter data, specifications and component parts without prior notice.

IMPORTANT: No liability is accepted for incorrect use of product.

WARRANTY: Guarantee is 12 months from purchase date, proof of which will be required for any claim.

Sealey Group, Kempson Way, Suffolk Business Park, Bury St Edmunds, Suffolk. IP32 7AR



01284 757500



01284 703534



sales@sealey.co.uk



www.sealey.co.uk