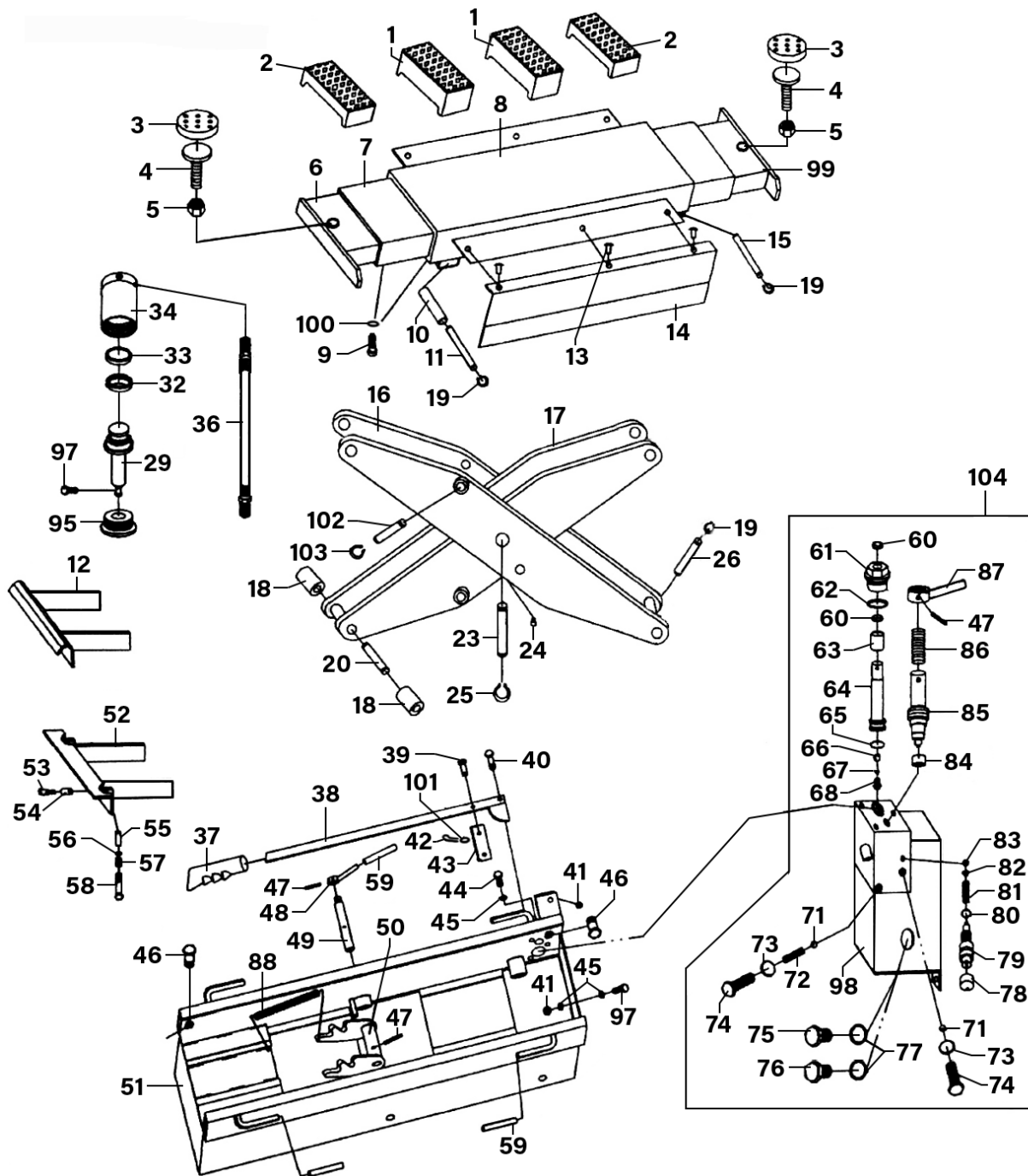


Parts Information: Jacking Beam 3tonne with Arm Extenders & Flat Roller Supports Model No: SJBEX300



Item	Part No.	Description
1	SJBEX200.2-01	Aluminium Saddle 1 (Single)(Large)
2	SJBEX200.2-02	Aluminium Saddle 2 (Single)(Small)
3	SJBEX200.2-03	Rubber Saddle Cover
4	SJBEX200.2-04	Threaded Saddle
5	SN24.SB	Steel Nut M24 Black
6	SJBEX200.2-06	Adjustable Beam (Right Side)

Item	Part No.	Description
7	SJBEX200.2-07	Adjustable Beam Insert
8	SJBEX300.08	Lifting Beam
9	SJBEX200.2-09	Screw
10	SJBEX300.10	Shaft Bushing (Length 105mm,o/d 38mm)
11	SJBEX300.11	Shaft (Length 155mm,o/d 19mm)
12	SJBEX300.12	Hook End Mounting Bracket

NOTE: It is our policy to continually improve products and as such we reserve the right to alter data, specifications and component parts without prior notice. There may be alternative versions of this product, please contact us should you require this information.

IMPORTANT: No liability is accepted for incorrect use of product. Spare parts must be fitted by a competent person

WARRANTY: Guarantee is 12 months from purchase date, proof of which will be required for any claim.



Parts Information:
**Jacking Beam 3tonne with Arm Extenders
 & Flat Roller Supports**
Model No: SJBEX300

Item	Part No.	Description
13	MSP68.S	Machine Screw Pan Head Phillips M6 X 8mm
14	SJBEX200.2-14	Protective Plate
15	SJBEX300.15	Shaft (Length 135mm, o/d 19mm)
16	SJBEX300.16	Scissors Arm, Outer
17	SJBEX300.17	Scissors Arm, Inner
18	SJBEX200.2-18	Shaft Bushing (Length 55mm,o/d 38.5mm,i/d 20mm)
19	3015CXD.01	External Circlip 16.3mm ID.
20	SJBEX200.2-20	Shaft (Length 210mm,o/d 19mm)
23	SJBEX300.23	Shaft (Length 160mm,o/d 25mm)
24	SJBEX200.2-24	Oil Inlet
25	3015CXD.11	External Circlip 23.00mm ID
26	SJBEX200.2-26	Shaft (Length 235mm,o/d 19mm)
29	SJBEX300.29	Piston
32	SJBEX300.32	Retaining Ring
33	SJBEX300.33	Rubber Seal 70*80*6
34	SJBEX300.34	Cylinder
36	SJBEX300.36	Oil Pipe (435mm Long)
37	SJBEX200.2-37	Handle Grip
38	SJBEX200.38A	Handle
39	SJBEX300.39A	Shaft Pin
40	SS845.S	Hex Head Set Screw M8 X 45 Zinc
41	SN8.S	Steel Nut M8 Zinc
42	BTR4.V2-10	Cotter Pin 2 x 25
43	SJBEX200.2-43	Block
43	SJBEX300.43A	Block
44	SS812.S	Hex Head Set Screw M8 X 12 Zinc
45	FWM8.S	Flat Washer M8 Zinc
46	SS1225.S	Hex Head Set Screw M12 X 25 Zinc
47	SJBEX300.47	Spring Pin
48	SJBEX200.2-48	Knob, Handle
49	SJBEX200.2-49	Shaft
50	SJBEX300.50	Safety Lock
51	SJBEX300.51	Chassis
52	SJBEX200.2-52	Flat-End Mounting
53	SJBEX200.2-53	Screw
54	SJBEX200.2-54	Bushing
55	SJBEX200.2-55	Block
56	SJBEX200.2-56	Washer
57	SJBEX200.2-57	Spring Dia13.8mm
58	HHB865.S	Hex Head Bolt M8 x 65mm
59	SJBEX200.2-59	Handle Grip

Item	Part No.	Description
60	SJBEX200.2-60	Seal Blue (12*18*6)
61	SJBEX200.2-61	Pump Housing
62	SJBEX200.2-62	Seal Washer
63	SJBEX200.2-63	Copper Bushing
64	SJBEX300.64	Piston
65	SJBEX200.2-65	Seal Ring
66	SJBEX200.2-66	Liner
67	SB-5.6	Steel Ball 5.6mm
68	SJBEX200.2-68	Screw
69	SB-6.4	Steel Ball 6.4mm
72	SJBEX200.2-72	Spring Dia 5.6mm
73	SJBEX200.2-73	Seal Washer
74	SS1025.SB	Hex Head Set Screw M10 X 25 Black
75	SJBEX200.2-75	Air Vent Valve
76	SJBEX200.2-76	Screw
77	SJBEX200.2-77	O-ring, (Ex: 20.58 In: 15.41 Cs: 2.59)
78	SJBEX200.2-78	Cover
79	SJBEX200.2-79	Adjusting screw
80	SJBEX200.2-80	O-Rng, (Ex: 12.45 In: 6.96 Cs: 2.75)
81	SJBEX300.81	Spring Dia 7.7mm.
82	SJBEX200.2-82	Spring Guide
83	SB-5.6	Steel Ball 5.6mm
84	SJBEX200.2-84	Seal Washer
85	SJBEX200.2-85	Release Rod
85	SJBEX300.85A	Release Rod
86	SJBEX200.2-86	Spring Dia 17.2mm
87	SJBEX300.87	Lever, Release, M14 Castle Nut Fitting
87	SJBEX300.87A	Lever, Release, Metal, M14 Castle Nut Fitting
88	SJBEX200.2-88	Spring Dia 12.8mm
95	SJBEX300.95	Cylinder Cap
97	SS825.S	Hex Head Set Screw M8x25
98	SJBEX200.2-98	Pump Block
99	SJBEX300.99	Adjustable Beam
100	SWM8.SB	Spring Washer M8 Black
101	RW619.S	Repair Washer M6 X 19 Zinc
102	SJBEX300.102	Shaft
103	1153CX.V4-15	External Circlip 20.3mm ID
104	SJBEX300.104	Pump Assembly
--	SJBEX300.105	Complete Ram (Not Shown)
--	SJBEX300.PRA	Ram and Pump Assembly (Not Shown)
--	SJBEX300.64A	Piston Complete (Not Shown)

NOTE: It is our policy to continually improve products and as such we reserve the right to alter data, specifications and component parts without prior notice. There may be alternative versions of this product, please contact us should you require this information.

IMPORTANT: No liability is accepted for incorrect use of product. Spare parts must be fitted by a competent person

WARRANTY: Guarantee is 12 months from purchase date, proof of which will be required for any claim.

Sealey Group, Kempson Way, Suffolk Business Park, Bury St Edmunds, Suffolk. IP32 7AR



01284 757500



01284 703534



sales@sealey.co.uk



www.sealey.co.uk