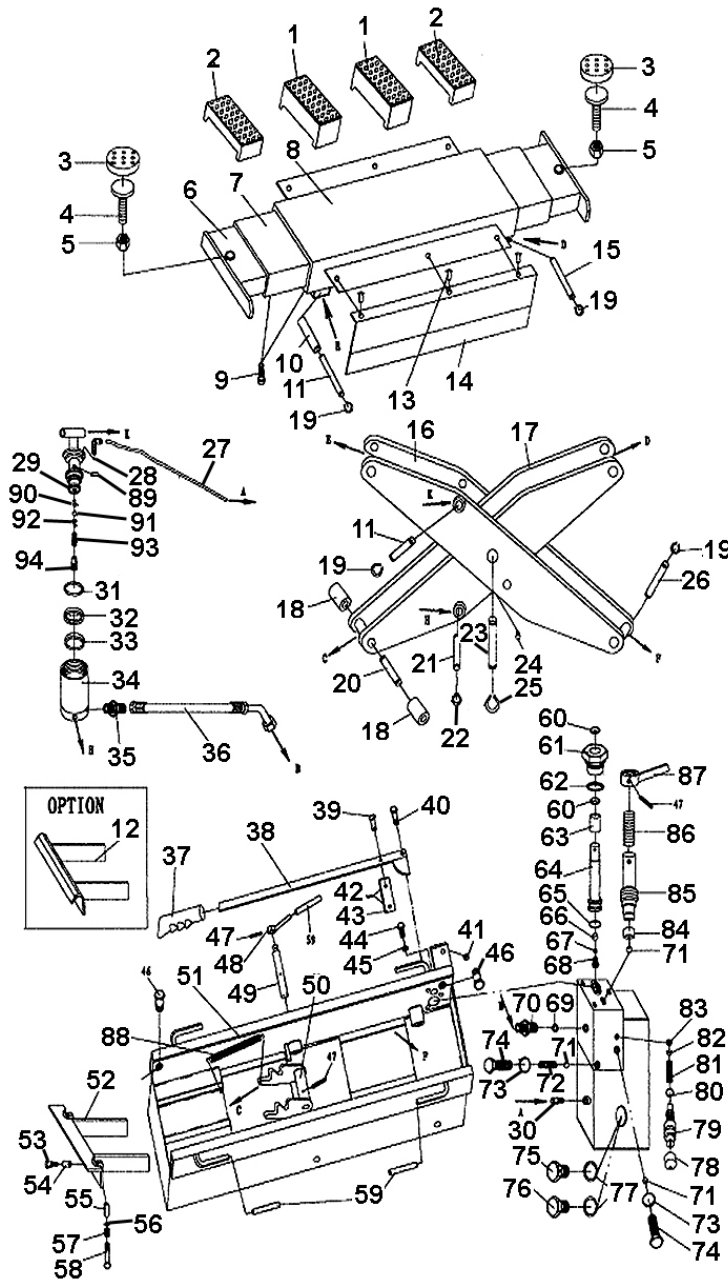




Parts Information:
**Jacking Beam Yankee 2tonne with Arm
 Extenders & Flat Roller Supports**
Model No: SJBEX200



Item	Part No.	Description
1	SJBEX200.2-01	Aluminium Saddle 1 (Single)(Large)
2	SJBEX200.2-02	Aluminium Saddle 2 (Single)(Small)
3	SJBEX200.2-03	Rubber Saddle Cover
4	SJBEX200.2-04	Threaded Saddle
5	SN24,SB	Steel Nut M24 Black (Single)
6	SJBEX200.06	Adjustable Beam
7	SJBEX200.07	Adjustable Beam
8	SJBEX200.2-08	Lifting Beam

Item	Part No.	Description
9	SJBEX200.2-09	Screw
10	SJBEX200.2-10	Shaft Bushing (Length 98mm,o/d 36.5mm)
11	SJBEX200.2-11	Shaft (Length 130mm,o/d 19mm)
12	SJBEX200.2-12	Hook End Mounting
13	MSP68.S	Machine Screw Pan Head Phillips M6x8mm (Single)
14	SJBEX200.2-14	Protective Plate
15	SJBEX200.2-15	Shaft (Length 110mm,o/d 19mm)
16	SJBEX200.16	Outer Scissors Arm

NOTE: It is our policy to continually improve products and as such we reserve the right to alter data, specifications and component parts without prior notice.

IMPORTANT: No liability is accepted for incorrect use of product.

WARRANTY: Guarantee is 12 months from purchase date, proof of which will be required for any claim.

Sealey Group, Kempson Way, Suffolk Business Park, Bury St Edmunds, Suffolk. IP32 7AR



01284 757500



01284 703534



sales@sealey.co.uk



www.sealey.co.uk



Parts Information:
**Jacking Beam Yankee 2tonne with Arm
 Extenders & Flat Roller Supports**
Model No: SJBEX200

Item	Part No.	Description
17	SJBEX200.17	Inner Scissors Arm
18	SJBEX200.2-18	Shaft Bushing (Length 55mm,o/d 38.5mm,i/d 20mm)
19	SJBEX200.2-19	Ext Circlip 20.2mm OD.
20	SJBEX200.2-20	Shaft (Length 210mm,o/d 19mm)
21	SJBEX200.21	Shaft
22	SJBEX200.22	Retaining Ring
23	SJBEX200.2-23	Shaft (Length 132mm,o/d 25mm)
24	SJBEX200.2-24	Oil Inlet
25	SJBEX200.2-25	Ext Circlip 28.2mm OD.
26	SJBEX200.2-26	Shaft (Length 235mm,o/d 19mm)
27	SJBEX200.27	Pu Pipe
28	SJBEX200.28	Connector
29	SJBEX200.29	Piston
30	SJBEX200.30	Connector
31	SJBEX200.31	O-Ring
32	SJBEX200.2-32	Retaining Ring
33	SJBEX200.2-33	U-Ring (53*63*6)
34	SJBEX200.34	Cylinder
35	SJBEX200.35	Connector
36	SJBEX200.36	Oil Pipe (340mm Long C/W 45Degree Fitting)
37	SJBEX200.37	Handle Grip
38	SJBEX200.38A	Handle
39	SJBEX200.2-39	Pin Shaft
40	HHB845.S	Hex Head Bolt M8x45mm Single
--	SS850.SB	Hex Head Set Screw M8x50mm Single Black (NOT SHOWN)
41	SN8.S	Steel Nut M8 Zinc Din934 (Single)
42	SJBEX200.2-42	Split Pin
43	SJBEX200.2-43	Block
44	SS812.S	Hex Head Set Screw M8x12mm Single
45	FWM8.S	Flat Washer M8 Single
46	SS1225.S	Hex Head Set Screw M12x25mm Single
47	SJBEX200.2-47	Spring Pin 4.4 x 25
48	SJBEX200.48	Handle Knob
49	SJBEX200.49	Shaft (Length 240mm,o/d 19mm)
50	SJBEX200.2-50	Safety Lock
51	SJBEX200.2-51	Chassis
52	SJBEX200.52	Flat-End Mounting
53	SJBEX200.2-53	Screw
54	SJBEX200.2-54	Bushing
55	SJBEX200.2-55	Block
56	SJBEX200.2-56	Int Tooth Washer

Item	Part No.	Description
57	SJBEX200.2-57	Spring
58	HHB865.S	Hex Head Bolt M8x65mm Single
59	SJBEX200.2-59	Handle Grip
60	SJBEX200.2-60	U-Ring (12*18*6)
61	SJBEX200.2-61	Pump Housing
62	SJBEX200.2-62	Seal Washer
63	SJBEX200.2-63	Copper Bushing
64	SJBEX300.64A	Piston Complete
65	SJBEX200.2-65	O-Ring
66	SJBEX200.66	Liner
67	SB-5.0	Steel Ball 5.0mm
68	SJBEX200.68	Screw
69	SJBEX200.69	Seal Washer
70	SJBEX200.70	Connector
71	SB-6.4	Steel Ball 6.4mm
72	SJBEX200.72	Spring
73	SJBEX200.2-73	Seal Washer
74	SS1025.SB	Hex Head Set Screw M10x25mm Single Black
75	SJBEX200.2-75	Air Vent Valve
76	SJBEX200.2-76	Screw
77	SJBEX200.77	O-Ring
78	SJBEX200.2-78	Cover
79	SJBEX200.79	Adjustment Screw
80	SJBEX200.2-80	O-Ring
81	SJBEX200.2-81	Spring
82	SJBEX200.2-82	Spring Guide
83	SB-5.6	Steel Ball 5.6mm
84	SJBEX200.2-84	Seal Washer
85	SJBEX200.2-85	Release Rod
86	SJBEX200.2-86	Spring
87	SJBEX300.87	Release Knob
88	SJBEX200.2-88	Spring
89	SJBEX200.89	Pin
90	SJBEX200.90	Pin
91	PBS90.23	Steel Ball 7mm
92	SJBEX200.92	Spring Guide
93	SJBEX200.93	Spring
94	SJBEX200.94	Screw
--	SJBEX200.PUMP	Pump (NOT SHOWN)
--	SJBEX200.RAM	Ram (NOT SHOWN)
--	SJBEX200.SK	Seal Kit (Parts 31,33,60,62,65,69,73,77,80,84 (NOT SHOWN)
--	SJBEX200.2-99	Complete Pump Unit (NOT SHOWN)

NOTE: It is our policy to continually improve products and as such we reserve the right to alter data, specifications and component parts without prior notice.

IMPORTANT: No liability is accepted for incorrect use of product.

WARRANTY: Guarantee is 12 months from purchase date, proof of which will be required for any claim.

Sealey Group, Kempson Way, Suffolk Business Park, Bury St Edmunds, Suffolk. IP32 7AR



01284 757500



01284 703534



sales@sealey.co.uk



www.sealey.co.uk