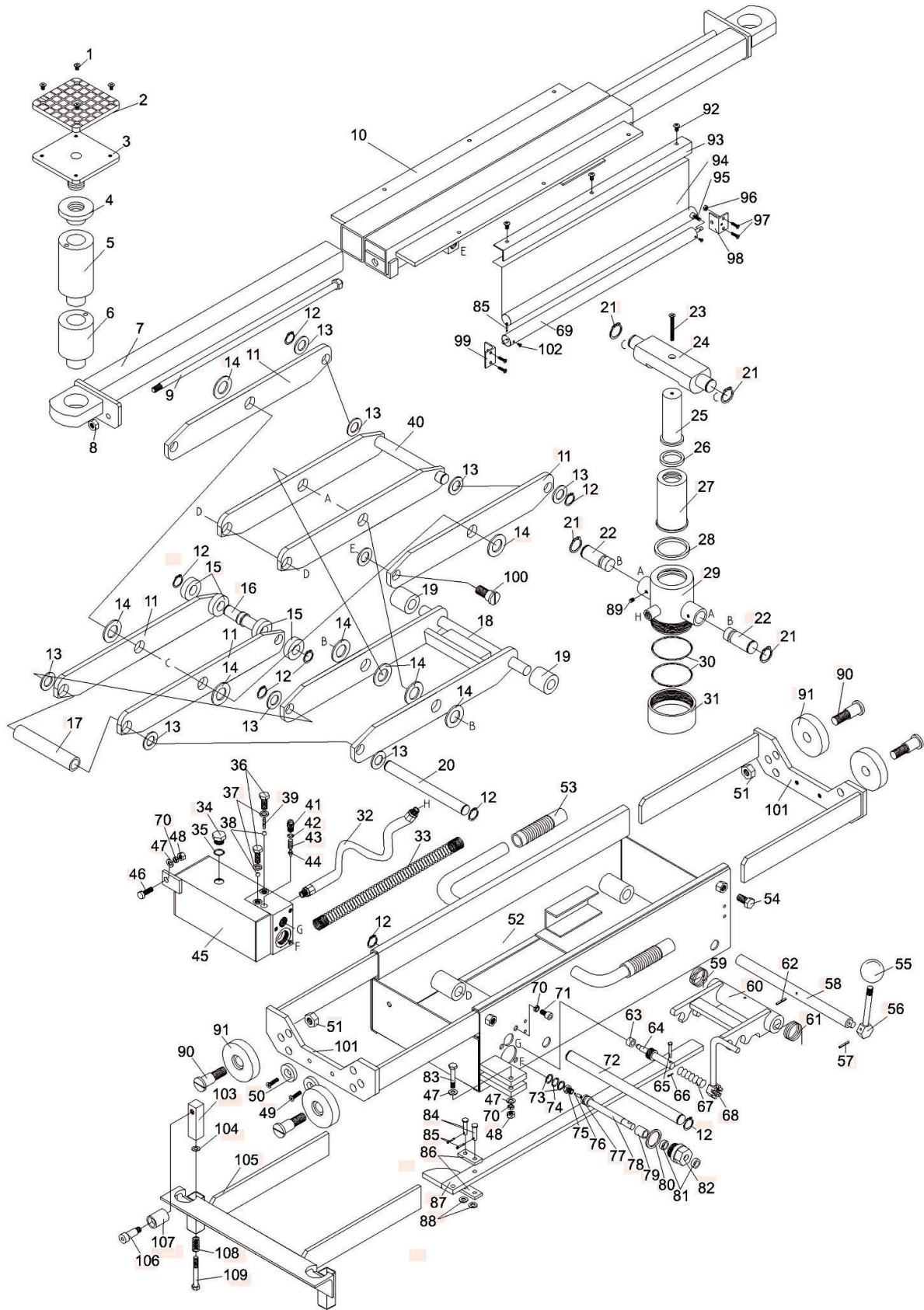




Parts Information:
**Jacking Beam 2tonne Low Profile with Arm
Extenders & Roller Supports**
Model No: SJBEX200LP



NOTE: It is our policy to continually improve products and as such we reserve the right to alter data, specifications and component parts without prior notice.

IMPORTANT: No liability is accepted for incorrect use of product.

WARRANTY: Guarantee is 12 months from purchase date, proof of which will be required for any claim.

Sealey Group, Kempson Way, Suffolk Business Park, Bury St Edmunds, Suffolk. IP32 7AR



01284 757500



01284 703534



sales@sealey.co.uk



www.sealey.co.uk



Parts Information:
**Jacking Beam 2tonne Low Profile with Arm
 Extenders & Roller Supports**
Model No: SJBEX200LP

Item	Part No.	Description
1	SJBEX200LP.01	SCREW
2	SJBEX200LP.02	RUBBER PAD
3	SJBEX200LP.03	FLAT ADAPTOR
4	SJBEX200LP.04	ADAPTOR NUT
5	SJBEX200LP.05	ADAPTOR (LONG)
6	SJBEX200LP.06	ADAPTOR (SHORT)
7	SJBEX200LP.07	ADJUSTABLE BEAM
8	SN10.S	STEEL NUT M10 ZINC DIN934(SINGLE)
9	SJBEX200LP.09	GUIDE ROD
10	SJBEX200LP.10	LIFT ARM ASSEMBLY
11	SJBEX200LP.11	SCISSOR PLATE
12	SJBEX200LP.12	LOCK RING
13	SJBEX200LP.13	WASHER
14	SJBEX200LP.14	WASHER
15	SJBEX200LP.15	ROLLER (UPPER)
16	SJBEX200LP.16	ROLLER SHAFT
17	SJBEX200LP.17	AXLE SLEEVE
18	SJBEX200LP.18	SCISSOR ASSEMBLY (OUTER)
19	SJBEX200LP.19	ROLLER
20	SJBEX200LP.20	MIDDLE AXLE (LEFT)
21	SJBEX200LP.21	LOCK RING
22	SJBEX200LP.22	MIDDLE AXLE
23	MSC635.S	CSK PHILLIPS MACHINE SCREW M6x35 (SINGLE)
24	SJBEX200LP.24	MAIN ROD
25	SJBEX200LP.25	RAM (2nd)
--	SJBEX200LP25N	RAM (2nd)(45x108) (NOT SHOWN)
26	SJBEX200LP.26	U-RING (UN35 45 6)
--	SJBEX200LP26N	U-RING (UN45 55 6) (NOT SHOWN)
27	SJBEX200LP.27	RAM (1st)
--	SJBEX200LP27N	RAM (1st) (63x108) (NOT SHOWN)
28	SJBEX200LP.28	U-CUP SEAL 53*63*6
--	SJBEX200LP28N	U-RING (UN63 73 6) (NOT SHOWN)
29	SJBEX200LP.29	CYLINDER ASSEMBLY
--	SJBEX200LP29N	CYLINDER ASSEMBLY (88x107) (NOT SHOWN)
30	SJBEX200LP.30	O-RING (ID 71mm x 2.65mm)
--	SJBEX200LP30N	O-RING (ID 75mm x 2.65mm) (NOT SHOWN)
31	SJBEX200LP.31	CYLINDER BOTTOM
32	SJBEX200LP.32	OIL PIPE 380mm M/M 1/4 BSP
33	SJBEX200LP.33	PROTECTION SPRING
34	SJBEX200LP.34	PLUG SCREW
35	SJBEX200LP.35	O-RING
36	SJBEX200LP.36	BOLT M10X25
37	SJBEX200LP.37	SEAL WASHER

Item	Part No.	Description
38	SB-6.4	STEEL BALL 6.4mm
39	SJBEX200LP.39	ONE-WAY SPRING
40	SJBEX200LP.40	SCISSOR ASSEMBLY (INNER)
41	SJBEX200LP.41	VALVE ADJUSTING SCREW
42	SJBEX200LP.42	O-RING
43	SJBEX200LP.43	VALVE ADJUSTING SPRING
44	SJBEX200LP.44	ADJUSTMENT VALVE
45	SJBEX200LP.45	PUMP ASSEMBLY
--	SJBEX200LP45A	PUMP BLOCK ONLY (NOT SHOWN)
46	SS825.S	HEX HEAD SET SCREW M8x25mm SINGLE
47	FWM8.S	FLAT WASHER M8 SINGLE
48	SN8.S	STEEL NUT M8 ZINC DIN934 (SINGLE)
49	MSC816.S	CSK PHILLIPS MACHINE SCREW M8x16 (SINGLE)
50	SJBEX200LP.50	NYLON ROLLER
51	SN16.S	STEEL NUT M16 ZINC DIN934(SINGLE)
52	SJBEX200LP.52	FRAME ASSEMBLY
53	SJBEX200LP.53	COVER
54	SS1225.S	HEX HEAD SET SCREW M12x25mm SINGLE
55	SJBEX200LP.55	KNOB
56	SJBEX200LP.56	LOCK BAR
57	SJBEX200LP.57	SPRING PIN M4X25
58	SJBEX200LP.58	LOCK ROD
59	SJBEX200LP.59	SPRING (RIGHT)
60	SJBEX200LP.60	LOCK ASSEMBLY
61	SJBEX200LP.61	SPRING (LEFT)
62	SJBEX200LP.62	SPRING PIN M4X30
63	SJBEX200LP.63	SEAL
64	SJBEX200LP.64	RELEASE LEVER
65	SJBEX200LP.65	BOLT M4X30
66	SJBEX200LP.66	SPLIT PIN
67	SJBEX200LP.67	RELEASE SPRING
68	SJBEX200LP.68	RELEASE HANDLE
69	SJBEX200LP.69	RELEASE HANDLE COVER
70	SJBEX200LP.70	SPRING WASHER (M8)
71	SCB812.SB	SOCKET HEAD CAP SCREW M8x12 BLACK
72	SJBEX200LP.72	AXLE
73	SJBEX200LP.73	BACK RING
74	SJBEX200LP.74	RING
75	SJBEX200LP.75	ONE-WAY BOLT
76	SB-5.0	STEEL BALL 5.0mm
77	SJBEX200LP.77	ONE-WAY PIN
78	SJBEX200LP.78	PISTON

NOTE: It is our policy to continually improve products and as such we reserve the right to alter data, specifications and component parts without prior notice.

IMPORTANT: No liability is accepted for incorrect use of product.

WARRANTY: Guarantee is 12 months from purchase date, proof of which will be required for any claim.

Sealey Group, Kempson Way, Suffolk Business Park, Bury St Edmunds, Suffolk. IP32 7AR



01284 757500



01284 703534



sales@sealey.co.uk



www.sealey.co.uk



Parts Information:
**Jacking Beam 2tonne Low Profile with Arm
Extenders & Roller Supports**
Model No: SJBEX200LP

Item	Part No.	Description
79	SJBEX200LP.79	COPPER BUSHING
80	SJBEX200LP.80	SEAL WASHER
81	SJBEX200LP.81	U-CUP SEAL 12*18*6
82	SJBEX200LP.82	PISTON COVER
83	SS845.S	HEX HEAD SET SCREW M8x45mm SINGLE
84	SJBEX200LP.84	PIN
85	SJBEX200LP.85	PIN
86	SJBEX200LP.86	CONNECT BAR
87	SJBEX200LP.87	HANDLE
88	RW619.S	REPAIR WASHER M6x19 (SINGLE)
89	GSM66.S	GRUB SCREW M6x6 (SINGLE)
90	SJBEX200LP.90	BOLT
91	SJBEX200LP.91	ROLLER
92	MSP68.S	MACHINE SCREW PAN HEAD PHILLIPS M6x8mm
93	SJBEX200LP.93	ALUMINIUM BAR
94	SJBEX200LP.94	CURTAIN

Item	Part No.	Description
95	SCB425.SB	SOCKET HEAD CAP SCREW M4x25 BLACK
96	SN5.S	STEEL NUT M5 ZINC DIN934 (SINGLE)
97	MSP516.S	MACHINE SCREW PAN HEAD PHILLIPS M5x16mm
98	SJBEX200LP.98	CURTAIN BRACKET
99	SJBEX200LP.99	CURTAIN BRACKET
100	SJBEX200LP100	BOLT
101	SJBEX200LP101	FLAT END MOUNTING BRACKET
102	SJBEX200LP102	RD HEAD S/T SCREW M2.2 X 5
103	SJBEX200LP103	BLOCK
104	SJBEX200LP104	TOOTH WASHER
105	SJBEX200LP105	FLAT-END MOUNTING
106	SJBEX200LP106	SCREW
107	SJBEX200LP107	BUSHING
108	SJBEX200LP108	SPRING
109	HHB865.S	HEX HEAD BOLT M8x65mm SINGLE
--	SJBEX200LP.CS	RAM AND PUMP ASSEMBLY (NOT SHOWN)

NOTE: It is our policy to continually improve products and as such we reserve the right to alter data, specifications and component parts without prior notice.

IMPORTANT: No liability is accepted for incorrect use of product.

WARRANTY: Guarantee is 12 months from purchase date, proof of which will be required for any claim.

Sealey Group, Kempson Way, Suffolk Business Park, Bury St Edmunds, Suffolk. IP32 7AR



01284 757500



01284 703534



sales@sealey.co.uk



www.sealey.co.uk