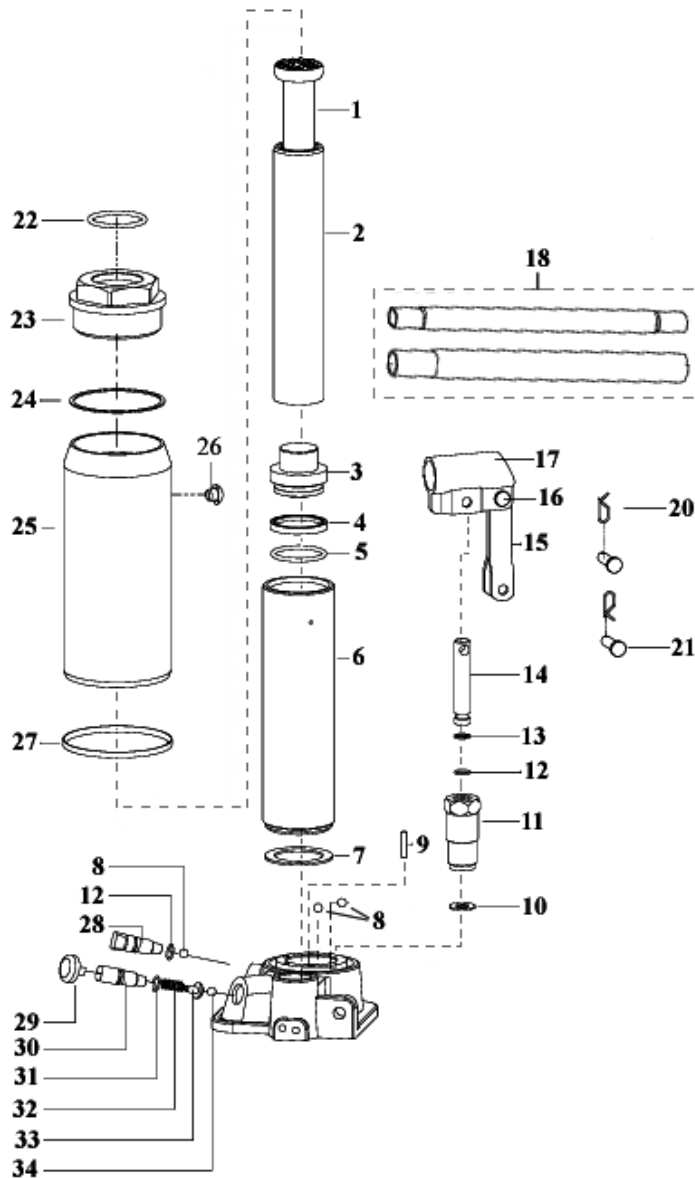


Issue: 1
 Issue Date: 280607



ITEM	PART NO	DESCRIPTION	ITEM	PART NO	DESCRIPTION
1	SJ10T.01	OVERLOAD VALVE ADJUSTING ROD	20	SJ10T.20	SPRING PIN
2	SJ10T.02	PISTON ROD ASS'Y	21	SJ10T.21	PIN
3	SJ10T.03	PLUNGER	22	SJ10T.22	O-RING
4	SJ10T.04	BOWL WASHER	23	SJ10T.23	TOP CUP
5	SJ10T.05	O-RING	24	SJ10T.24	O-RING
6	SJ10T.06	CYLINDER	25	SJ10T.25	RESERVOIR
7	SJ10T.07	STEEL WASHER	26	SJ10T.26	OIL FILLER
8	SJ10T.08	STEEL BALL	27	SJ10T.27	BACK-UP RING
9	SJ10T.09	FILTER OIL TUBE	28	SJ10T.28	RELEASE VALVE
10	SJ10T.10	WASHER	29	SJ10T.29	COVERING
11	SJ10T.11	PUMP CYLINDER	30	SJ10T.30	PLUG SCREW
12	SJ10T.12	O-RING	31	SJ10T.31	O-RING
13	SJ10T.13	RETAINING RING	32	SJ10T.32	SPRING
14	SJ10T.14	PUMP PLUNGER	33	SJ10T.33	SPRING BASE
15	SJ10T.15	HANDLE SOCKET PIN	34	SJ10T.34	STEEL BALL
16	SJ10T.16	PIN	35	SJ10T.RK	REPAIR KIT (NOT SHOWN)
17	SJ10T.17	HANDLE SOCKET			
18	SJ10T.18	COMPLETE HANDLE			

NOTE: It is our policy to continually improve products and as such we reserve the right to alter data, specifications and component parts without prior notice.

IMPORTANT: No liability is accepted for incorrect use of product.

WARRANTY: Guarantee is 12 months from purchase date, proof of which will be required for any claim.

INFORMATION: For a copy of our latest catalogue and promotions call us on 01284 757525 and leave your full name and address, including postcode.