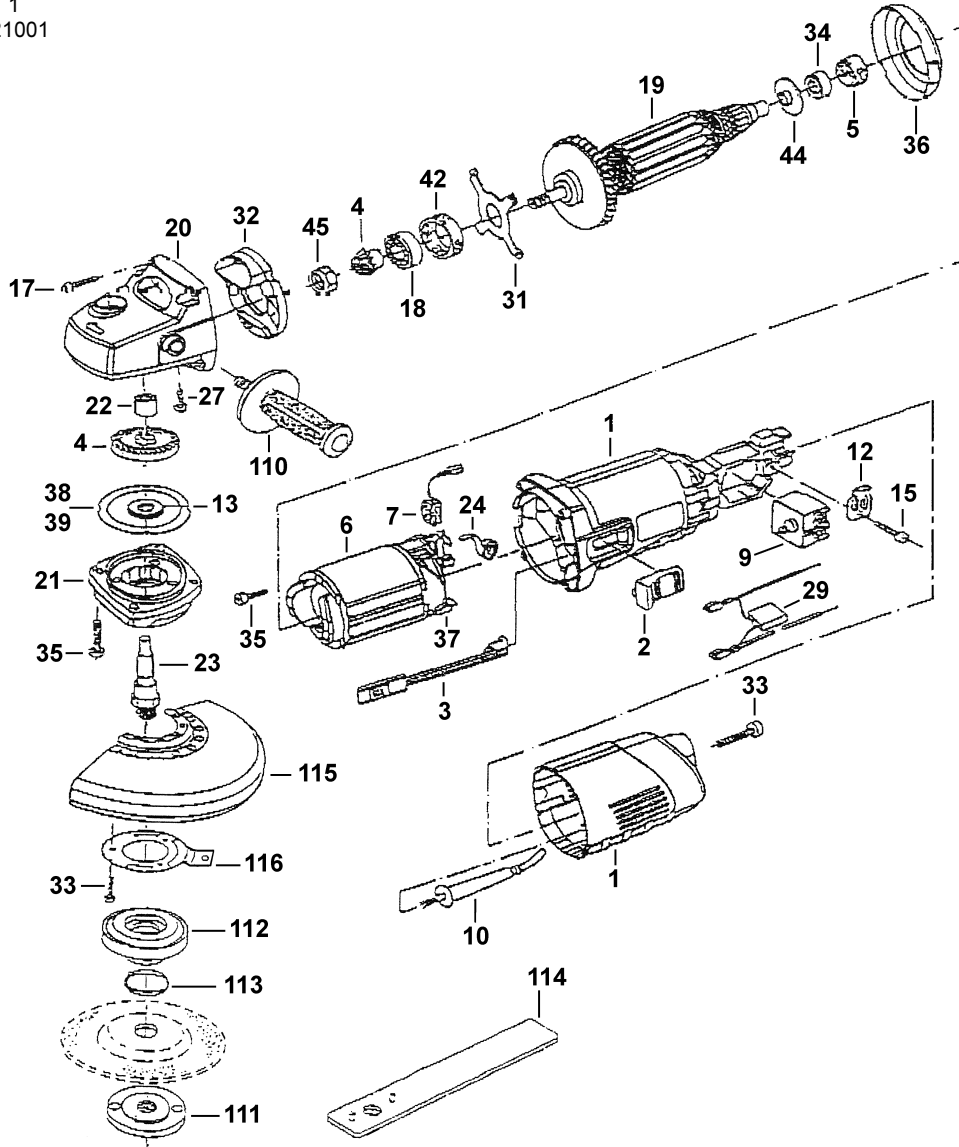


Issue No: 1
 Date Issued: 121001



Item	Part No.	Description	Item	Part No.	Description	Item	Part No.	Description
1	332/134349161	Motor Housing, Blue	19	332/134349133	Armature 230V	37	332/134349112	Brush Holder, 4.8mm
2	332/134344021	Switch Control Button	20	332/134341012	Gear Box, Black	38	332/134311591	Compensation Washer, 0.1mm
3	332/134344201	Switch Control	21	332/134341082	Plastic Gear Cover	39	332/134311592	Compensation Washer, 0.2mm
4	332/134319283	Bevel Gear Set	22	332/713721080	Bushing	42	332/134321561	Ring
5	332/130131601	Rubber Ring	23	332/134313011	Disc Spindle	44	332/134321861	Seal
6	332/134459023	Field 230V	24	332/134312251	Brush Spring	45	332/134316521	Nut
7	332/130179071	Brush 4.8mm (pair)	27	332/849131214	Screw, 3.5 x 10	110	332/910560100	Auxiliary Handle
9	332/763255021	Switch	29	332/134329081	Condenser Group	111	332/134313391	Nut Flange
10	332/134314181	Sleeve	31	332/134341341	Ball Bearing Cover	112	332/134313141	Seating Flange
12	332/134134231	Cable Clamp	32	332/134342621	Air Deflector	113	332/742102220	Washer
13	332/742031629	Seal	33	332/844800048	Screw 4 x 16 PZ Zng	114	332/134449521	Disc Securing Spanner
15	332/844800027	Screw, 3.5 x 14TP	34	332/712060702	Ball Bearing	115	332/134345801	Guard
17	332/844800050	Screw, 4 x 19 PZ Zng	35	332/844810011	Screw, CL81Z 3,1 x 12	116	332/134345781	Elastic Disc
18	332/712060907	Ball Bearing	36	332/134342611	Air Guide			

NOTE: It is our policy to continually improve products and as such we reserve the right to alter data, specifications and component parts without prior notice.



01284 757500



01284 703534

E-mail: sales@sealey.co.uk