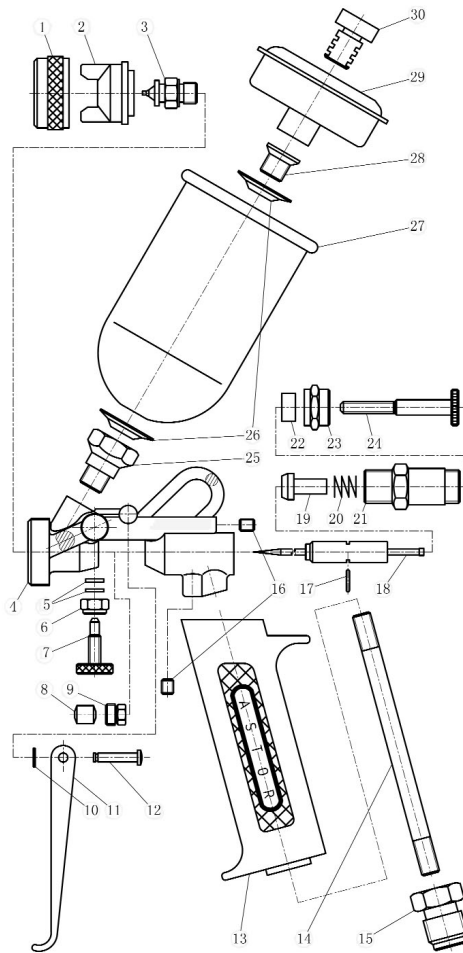


## Parts Information: Spray Gun Touch-Up Gravity Feed 0.8mm Set-Up Model No: SG6VC.V3



Item	Part No.	Description
1	SG6VC.V3-01	AIR CAP RETAINING RING
2	SG6VC.V3-02	AIR CAP (0.8mm)
	SG6VC.V3-02A	AIR CAP (0.5mm)
3	SG6VC.V3-03	FLUID NOZZLE (0.8mm)
	SG6VC.V3-03A	FLUID NOZZLE (0.5mm)
4	SG6VC.V3-04	BODY
5	SG6VC.V3-05	NEEDLE PACKING
6	SG6VC.V3-06	FAN ADJUSTMENT SEAT
7	SG6VC.V3-07	ADJUSTMENT SCREW
8	SG6VC.V3-08	NEEDLE PACKING SET
9	SG6VC.V3-09	NEEDLE PACKING NUT
10	SG6VC.V3-10	C-RING
11	SG6VC.V3-11	TRIGGER
12	SG6VC.V3-12	TRIGGER PIN
13	SG6VC.V3-13	BODY HANDLE
14	SG6VC.V3-14	DIP TUBE
15	SG6VC.V3-15	AIR INLET
16	GSM44.S	GRUB SCREW M4x4 (SINGLE)

Item	Part No.	Description
17	SG6VC.V3-18	FLUID NEEDLE (C/W O-RING) (0.8mm)
18	SG6VC.V3-18	FLUID NEEDLE (C/W O-RING) (0.8mm)
	SG6VC.V3-18A	FLUID NEEDLE (C/W O-RING) (0.5mm)
19	SG6VC.V3-19	AIR VALVE
20	SG6VC.V3-20	NEEDLE SPRING
21	SG6VC.V3-21	NEEDLE SPRING GUIDE
22	SG6VC.V3-22	NEEDLE ADJUSTMENT SCREW GUIDE
23	SG6VC.V3-23	NEEDLE ADJUSTMENT SCREW SEAT
24	SG6VC.V3-24	NEEDLE ADJUSTMENT SCREW
25	SG6VC.V3-25	FLUID JOINT
26	SG6VC.V3-26	POT GASKET
27	SG6VC.V3-27	GRAVITY FEED POT
28	SG6VC.V3-28	CLAMPING SCREW
29	SG6VC.V3-29	POT LID
30	SG6VC.V3-30	COVER SCREW
--	SG6VC.V3-S0.5	SG6VC SET-UP 0.5mm (NOT SHOWN)
--	SG6VC.V3-S0.8	SG6VC SET-UP 0.8mm (NOT SHOWN)

**NOTE:** It is our policy to continually improve products and as such we reserve the right to alter data, specifications and component parts without prior notice.

**IMPORTANT:** No liability is accepted for incorrect use of product.

**WARRANTY:** Guarantee is 12 months from purchase date, proof of which will be required for any claim.