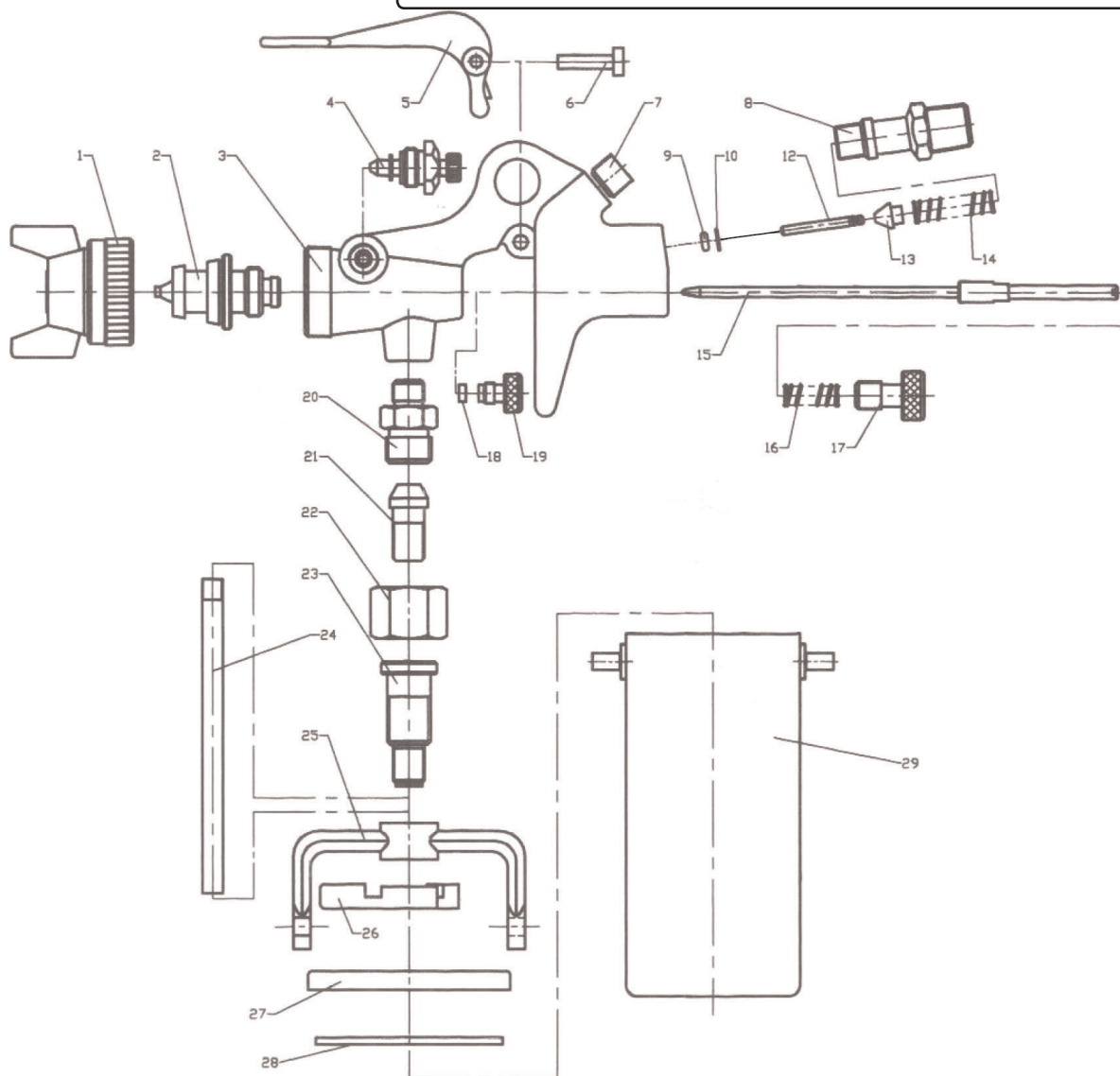


Parts Information:
Spray Gun Touch-Up Suction Feed Palm Control 1.5mm Set-Up
Model No: SG6T.V3



Item	Part No.	Description
1	SG6TV3-01	AIR CAP ASS'Y (1.5mm)
2	SG6TV3-02	NOZZLE (1.5mm)
3	SG6TV3-03	GUN BODY
4	SG6TV3-04	FAN ADJ. VALVE SET
5	SG6TV3-05	TRIGGER
6	SG6TV3-06	TRIGGER STUD
7	SG6TV3-07	BOLT
8	SG6TV3-08	AIR JOINT SCREW
9	SG6TV3-09	O-RING
10	SG6TV3-10	GASKET
12	SG6TV3-12	AIR VALVE ASSEMBLY
13	SG6TV3-12	AIR VALVE ASSEMBLY
14	SG6TV3-14	VALVE SPRING
15	SG6TV3-15	FLUID NEEDLE (1.5mm)

Item	Part No.	Description
16	SG6TV3-16	NEEDLE SPRING
17	SG6TV3-17	FLUID ADJUSTMENT SCREW
18	SG6TV3-18	NEEDLE PACKING GASKET
19	SG6TV3-19	NEEDLE PACKING NUT
20	SG6TV3-20	FLUID SCREW
21	SG6TV3-21	FLUID NUT
22	SG6TV3-22	CONNECT SCREW CAP
23	SG6TV3-23	CONNECT SCREW
24	SG6TV3-24	DIP TUBE
25	SG6TV3-25	POT BRACKET
26	SG6TV3-26	SUPPORT CLAMP TRIGGER
27	SG6TV3-27	POT LID
28	SG6TV3-28	POT GASKET
29	SG6TV3-29	POT

NOTE: It is our policy to continually improve products and as such we reserve the right to alter data, specifications and component parts without prior notice.

IMPORTANT: No liability is accepted for incorrect use of product.

WARRANTY: Guarantee is 12 months from purchase date, proof of which will be required for any claim.