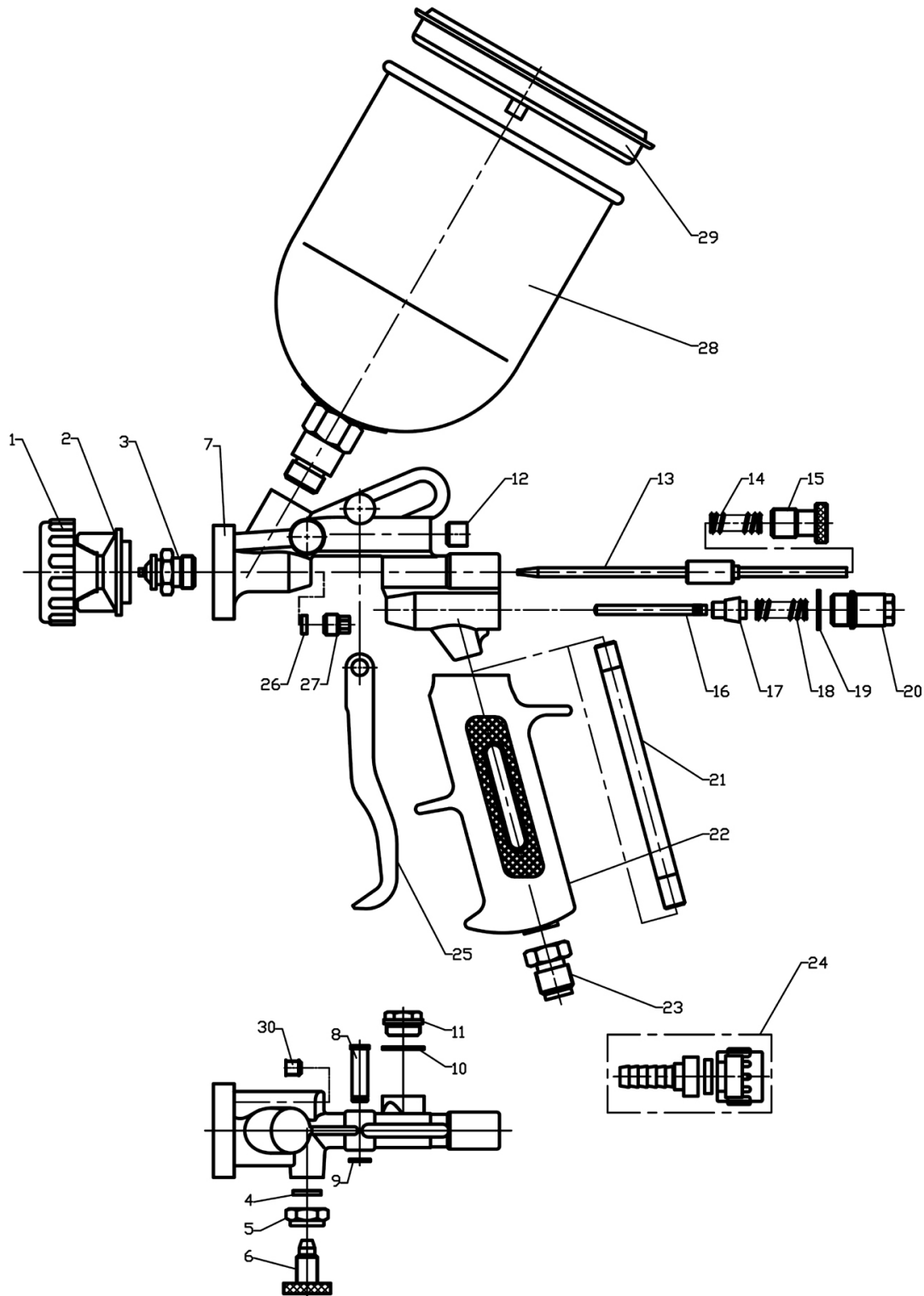


Parts Information:
Spray Gun Standard Gravity Feed 1.4mm
Set-Up
Model No: SG4.V3



NOTE: It is our policy to continually improve products and as such we reserve the right to alter data, specifications and component parts without prior notice.

IMPORTANT: No liability is accepted for incorrect use of product.

WARRANTY: Guarantee is 12 months from purchase date, proof of which will be required for any claim.



Parts Information:
**Spray Gun Standard Gravity Feed 1.4mm
 Set-Up
 Model No: SG4.V3**

Item	Part No.	Description
1	SG4.V3-01	AIR CAP RETAINING RING
2	SG4.V3-02	AIR CAP (1.4mm)
--	SG4.V3-02A	AIR CAP (1.2mm) (NOT SHOWN)
--	SG4.V3-02B	AIR CAP (1.6mm) (NOT SHOWN)
--	SG4.V3-02C	AIR CAP (1.8mm) (NOT SHOWN)
--	SG4.V3-02D	AIR CAP (2.0mm) (NOT SHOWN)
--	SG4.V3-02E	AIR CAP (2.2mm) (NOT SHOWN)
--	SG4.V3-02F	AIR CAP (2.5mm) (NOT SHOWN)
--	SG4.V3-02G	AIR CAP (3.0mm) (NOT SHOWN)
3	SG4.V3-03	FLUID NOZZLE (1.4mm)
--	SG4.V3-03A	FLUID NOZZLE (1.2mm) (NOT SHOWN)
--	SG4.V3-03B	FLUID NOZZLE (1.6mm) (NOT SHOWN)
--	SG4.V3-03C	FLUID NOZZLE (1.8mm) (NOT SHOWN)
--	SG4.V3-03D	FLUID NOZZLE (2.0mm) (NOT SHOWN)
--	SG4.V3-03E	FLUID NOZZLE (2.2mm) (NOT SHOWN)
--	SG4.V3-03F	FLUID NOZZLE (2.5mm) (NOT SHOWN)
--	SG4.V3-03G	FLUID NOZZLE (3.0mm) (NOT SHOWN)
4	SG4.V3-04	FAN ADJ. VALVE GASKET
5	SG4.V3-05	FAN ADJ. VALVE SEAT
6	SG4.V3-06	FAN ADJ VALVE SCREW
7	SG4.V3-07	BODY
8	SG4.V3-08	TRIGGER STUD
9	SG4.V3-09	STOP RING
10	SG4.V3-10	GASKET
11	SG4.V3-11	AIR PACKING SCREW
12	SG4.V3-12	PLUG 1/8"
13	SG4.V3-13	FLUID NEEDLE (1.4mm)
--	SG4.V3-13A	FLUID NEEDLE (1.2mm) (NOT SHOWN)

Item	Part No.	Description
--	SG4.V3-13B	FLUID NEEDLE (1.6mm) (NOT SHOWN)
--	SG4.V3-13C	FLUID NEEDLE (1.8mm) (NOT SHOWN)
--	SG4.V3-13D	FLUID NEEDLE (2.0mm) (NOT SHOWN)
--	SG4.V3-13E	FLUID NEEDLE (2.2mm) (NOT SHOWN)
--	SG4.V3-13F	FLUID NEEDLE (2.5mm) (NOT SHOWN)
--	SG4.V3-13G	FLUID NEEDLE (3.0mm) (NOT SHOWN)
14	SG4.V3-14	FLUID NEEDLE SPRING
15	SG4.V3-15	FLUID ADJ. KNOB
16	SG4.V3-16	AIR VALVE SHAFT
17	SG4.V3-17	AIR VALVE SEAT
18	SG4.V3-18	AIR VALVE SPRING
19	SG4.V3-19	GASKET
20	SG4.V3-20	AIR VALVE SPRING SEAT
21	SG4.V3-21	DIP TUBE
22	SG4.V3-22	HANDLE
23	SG4.V3-23	FLUID JOINT
24	SG4.V3-24	AIR JOINT (2 PARTS)
25	SG4.V3-25	TRIGGER
26	SG4.V3-26	NEEDLE PACKING SEAT
27	SG4.V3-27	NEEDLE PACKING NUT
28	SG4.V3-28	CUP
29	SG4.V3-29	POT COVER
30	GSM66.S	GRUB SCREW M6x6 (SINGLE)
--	SG4.V3-S1.2	SG4 SET-UP 1.2mm (NOT SHOWN)
--	SG4.V3-S1.4	SG4 SET-UP 1.4mm (NOT SHOWN)
--	SG4.V3-S1.6	SG4 SET-UP 1.6mm (NOT SHOWN)
--	SG4.V3-S1.8	SG4 SET-UP 1.8mm (NOT SHOWN)

NOTE: It is our policy to continually improve products and as such we reserve the right to alter data, specifications and component parts without prior notice.

IMPORTANT: No liability is accepted for incorrect use of product.

WARRANTY: Guarantee is 12 months from purchase date, proof of which will be required for any claim.

Sealey Group, Kempson Way, Suffolk Business Park, Bury St Edmunds, Suffolk. IP32 7AR



01284 757500



01284 703534



sales@sealey.co.uk



www.sealey.co.uk