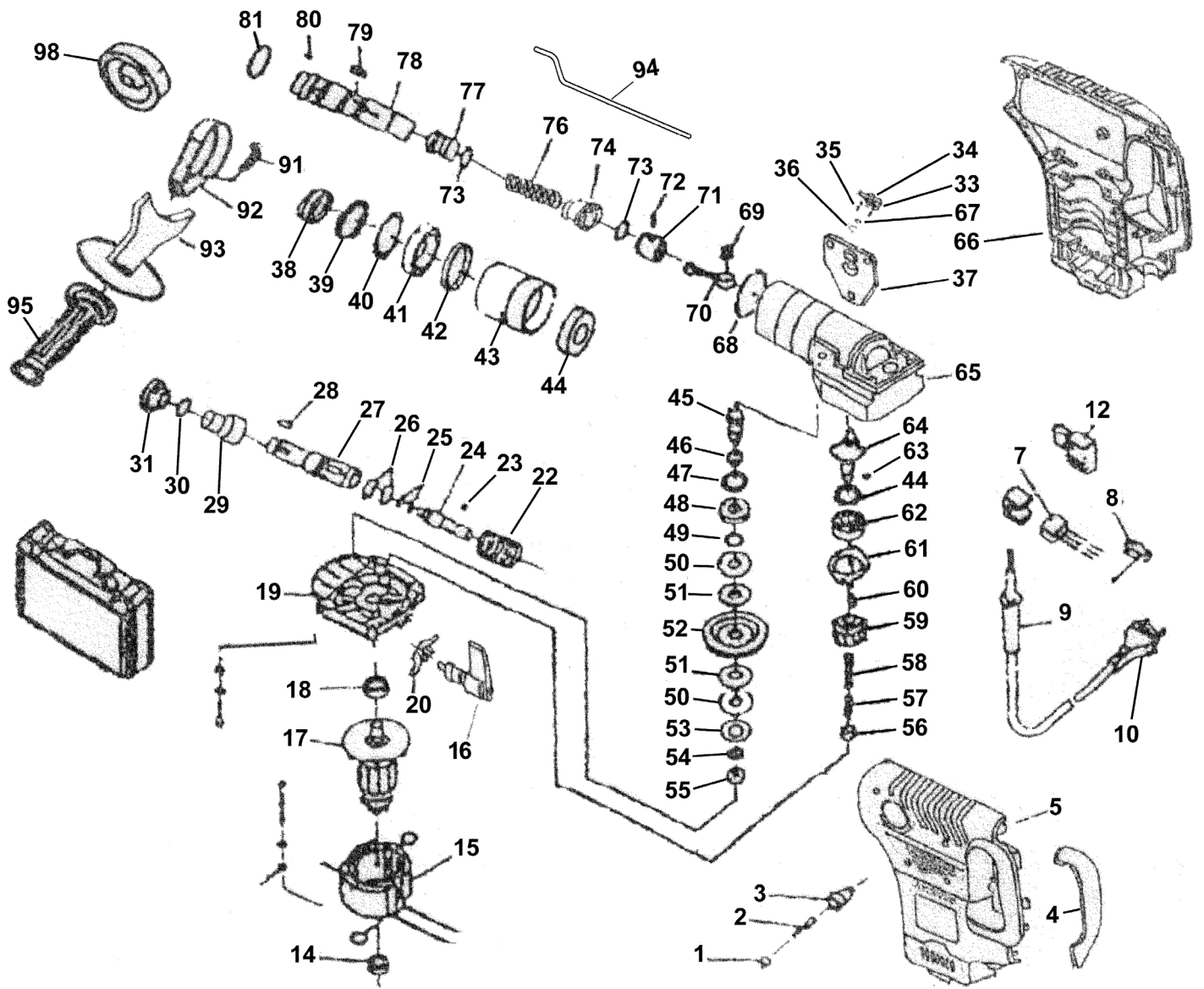




Parts Information:
SDS Plus Hammer Drill 850W/230V
Model No: SDS850



NOTE: It is our policy to continually improve products and as such we reserve the right to alter data, specifications and component parts without prior notice.

IMPORTANT: No liability is accepted for incorrect use of product.

WARRANTY: Guarantee is 12 months from purchase date, proof of which will be required for any claim.

Sealey Group, Kempson Way, Suffolk Business Park, Bury St Edmunds, Suffolk. IP32 7AR



01284 757500



01284 703534



sales@sealey.co.uk



www.sealey.co.uk



Parts Information:
SDS Plus Hammer Drill 850W/230V
Model No: SDS850

Item	Part No.	Description
1	SDS850.01	Brush Holder Cap
2	SDS850.02	Brush (Pair)
3	SDS850.03	Brush Holder, Pair
4	SDS850.04	Soft Handle Cover
5	SDS850.05	Left Plastic Housing
7	SDS850.07	Capacitor (0.22UF)
8	SDS850.08	Strain Relief
9	SDS850.09	Cord Guide
10	SDS850.10	Cord
12	SDS850.12	Switch
14	B/608-2RS	Bearing 608-2RS
15	SDS850.15	Field Assembly
16	SDS850.16	Change Lever
17	SDS850.17	Armature Assembly
18	B/6001-2RS	Bearing 6001-2RS
19	SDS850.19	Gear Box
20	SDS850.20	Spring Plate
22	SDS850.22	Spring
23	PBS90.23	Steel Ball 7mm
24	SDS850.24	Impact Bolt
25	SDS850.25	O-Ring
26	SDS850.26	O-Ring
27	SDS850.27	Tool Holder
28	SDS850.28	Roller
29	SDS850.29	Carcase
30	SDS850.30	Retaining Ring
31	SDS850.31	Cap
33	SB-4.0	Steel Ball 4.0mm
34	SDS850.34	Function Transferring Knob
35	SDS850.35	Spring
36	SDS850.36	Retaining Ring
37	SDS850.37	Base Of F.T Knot
38	SDS850.38	Ring
39	SDS850.39	Oil Seal
40	SDS850.40	Flat Washer
41	SDS850.41	Bearing
42	SDS850.42	O-Ring
43	SDS850.43	Ring
44	SDS850.44	Bearing
45	SDS850.45	Gear Spindle
46	SDS850.46	Oil Seal
47	SDS850.47	Washer
48	B/6002-2RS	Bearing 6002-2RS
49	SDS850.49	Washer

Item	Part No.	Description
50	SDS850.50	Washer
51	SDS850.51	Friction Ring
52	SDS850.52	Gear
53	SDS850.53	Washer
54	SDS850.54	Special Nut
55	B/627ZZ	Bearing 627ZZ
56	SDS850.56	Needle Bearing
57	SDS850.57	Pole
58	SDS850.58	Spring
59	SDS850.59	Gear
60	SB-5.6	Steel Ball 5.6mm
61	SDS850.61	Bearing Cap
62	B/6202-2RS	Bearing 6202-2RS
63	SDS850.63	Retaining Ring
64	SDS850.64	Crank Shaft
65	SDS850.65	Crank Case
66	SDS850.66	Right Plastic Housing
67	SDS850.67	O-Ring
68	SDS850.68	Retaining Ring
69	SDS850.69	Needle Bearing
70	SDS850.70	Connecting Rod
71	SDS850.71	Piston
72	SDS850.72	Pin
73	SDS850.73	O-Ring
74	SDS850.74	Spiral Bevel Gear
76	SDS850.76	Spring
77	SDS850.77	Striker
78	SDS850.78	Cylinder Barrel
79	SDS850.79	Flat Key
80	SB-7.9	Steel Ball 7.9mm
81	SDS850.81	O-Ring
91	SDS850.91	Bolt M8x36
92	SDS850.92	Grip Holder
93	SDS850.93	Grip Base
94	SDS850.94	Depth Stop
95	SDS850.95	Grip
98	SDS850.98	Dust Protector
--	SDS850.C	13mm Chuck, Screw & Key Inc. (NOT SHOWN)
--	SDS850.C01	Chisel 14x250mm (NOT SHOWN)
--	SDS850.CA	Chuck Adaptor (NOT SHOWN)
--	SDS850.DB01	Drill Bit 10x150mm (NOT SHOWN)
--	SDS850.DB02	Drill Bit 12x150mm (NOT SHOWN)
--	SDS850.DB03	Drill Bit 18x250mm (NOT SHOWN)
--	SDS850.S01	Shovel 14x250mm (NOT SHOWN)

NOTE: It is our policy to continually improve products and as such we reserve the right to alter data, specifications and component parts without prior notice.

IMPORTANT: No liability is accepted for incorrect use of product.

WARRANTY: Guarantee is 12 months from purchase date, proof of which will be required for any claim.

Sealey Group, Kempson Way, Suffolk Business Park, Bury St Edmunds, Suffolk. IP32 7AR



01284 757500



01284 703534



sales@sealey.co.uk



www.sealey.co.uk