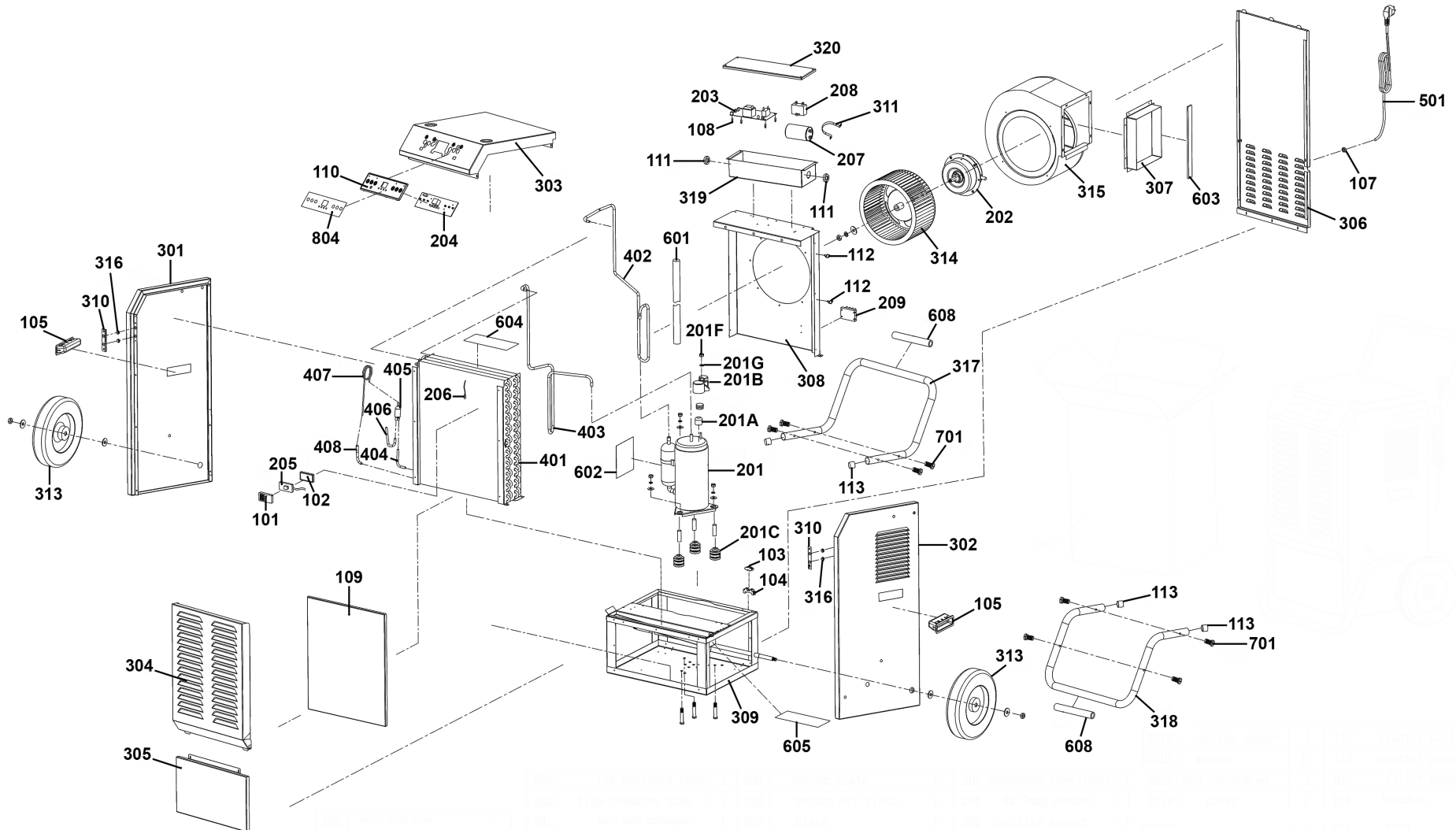




Parts Information:
Industrial Dehumidifier 90L
Model No: SDH90.V2



NOTE: It is our policy to continually improve products and as such we reserve the right to alter data, specifications and component parts without prior notice.

There may be alternative versions of this product, please contact us should you require this information.

IMPORTANT: No liability is accepted for incorrect use of product. Spare parts must be fitted by a competent person

WARRANTY: Guarantee is 12 months from purchase date, proof of which will be required for any claim.

Sealey Group, Kempson Way, Suffolk Business Park, Bury St Edmunds, Suffolk. IP32 7AR



01284 757500



sales@sealey.co.uk



www.sealey.co.uk



Parts Information:
Industrial Dehumidifier 90L
Model No: SDH90.V2

Item	Part No.	Description	Qty
101	SDH90-V2-101	Front Cover for Humidity Sensor	1
102	SDH90-V2-102	Back Cover for Humidity Sensor	1
103	SDH90-V2-103	Wire Block Top Cover	1
104	SDH90-V2-104	Wire Block Bottom Cover	1
105	SDH90-V2-105	Side Handle Grip	2
107	SDH90-V2-107	Power Cord Grip	1
108	SDH90-V2-108	Support Colum for PCB	1
109	SDH90-V2-109	Front Filter	1
110	SDH90-V2-110	Control Panel	1
111	SDH90-V2-111	Plastic Bung	2
112	SDH90-V2-112	Hanging Clip	2
113	SDH90-V2-113	End Plug	4
201	SDH90-V2-201	Compressor	1
201A	SDH90-V2-201A	Overload Protection	1
201B	SDH90-V2-201B	Overload Protection Cover	1
201C	SDH90-V2-201C	Anti-Vibration Foot	3
--	SDH90-V2-201D	Washer (Not Shown)	1
--	SDH90-V2-201E	Spring Washer (Not Shown)	1
201F	SDH90-V2-201F	Nut	1
201G	SDH90-V2-201G	Washer	1
202	SDH90-V2-202	Motor	1
203	SDH90-V2-203	PCB	1
204	SDH90-V2-204	Display PCB Board	1
205	SDH90-V2-205	Humidity Sensor	1
206	SDH90-V2-206	Temperature Sensor 5k	1
207	SDH90-V2-207	Capacitor for Compressor	1
208	SDH90-V2-208	Motor Capacitor	1
209	SDH90-V2-209	Control Terminal	1
301	SDH90-V2-301	Side Panel, Left	1
302	SDH90-V2-302	Side Panel, Right	1
303	SDH90-V2-303	Top Panel	1
304	SDH90-V2-304	Front Panel Upper Cover	1

Item	Part No.	Description	Qty
305	SDH90-V2-305	Front Panel Lower Cover	1
306	SDH90-V2-306	Rear Panel	1
307	SDH90-V2-307	Fan Cover Plate	1
308	SDH90-V2-308	Inner Support Panel	1
309	SDH90-V2-309	Bottom Plate	1
310	SDH90-V2-310	Fixed Plate for Magnet	1
311	SDH90-V2-311	Capacitor Clip	1
313	SDH90-V2-313	Fixed, Plastic Wheel	2
314	SDH90-V2-314	Fan	1
315	SDH90-V2-315	Fan Cover	1
316	SDH90-V2-316	Magnet	4
317	SDH90-V2-317	Handle Frame	1
318	SDH90-V2-318	Bottom Frame	1
319	SDH90-V2-319	Water Tray	1
320	SDH90-V2-320	Water Tray Cover	1
401	SDH90-V2-401	Evaporator	1
402	SDH90-V2-402	Pressure Pipe (High)	1
403	SDH90-V2-403	Pressure Pipe (Low)	1
404	SDH90-V2-404	Fluid Inlet Tube	1
405	SDH90-V2-405	Filter (3-Way)	1
406	SDH90-V2-406	Fill-In Tube	1
407	SDH90-V2-407	Capillary	1
408	SDH90-V2-408	Capillary Outlet Tube	1
501	SDH90-V2-501	Power Cord	1
601	SDH90-V2-601	Protection Foam for Pressure Pipe	1
602	SDH90-V2-602	Protection Foam for Compressor	1
603	SDH90-V2-603	Protection Foam for Fan Cover Plate	1
604	SDH90-V2-604	Protection Foam for Evaporator	1
605	SDH90-V2-605	Protection Foam for Water Tray	1
608	SDH90-V2-608	Foam Sleeve for Front/Bottom Sleeve	1
701	SDH90-V2-701	Frame Screw M6x36	8
804	SDH90-V2-804	Display Key Panel	1

NOTE: It is our policy to continually improve products and as such we reserve the right to alter data, specifications and component parts without prior notice. There may be alternative versions of this product, please contact us should you require this information.

IMPORTANT: No liability is accepted for incorrect use of product. Spare parts must be fitted by a competent person

WARRANTY: Guarantee is 12 months from purchase date, proof of which will be required for any claim.

Sealey Group, Kempson Way, Suffolk Business Park, Bury St Edmunds, Suffolk. IP32 7AR



01284 757500



sales@sealey.co.uk



www.sealey.co.uk