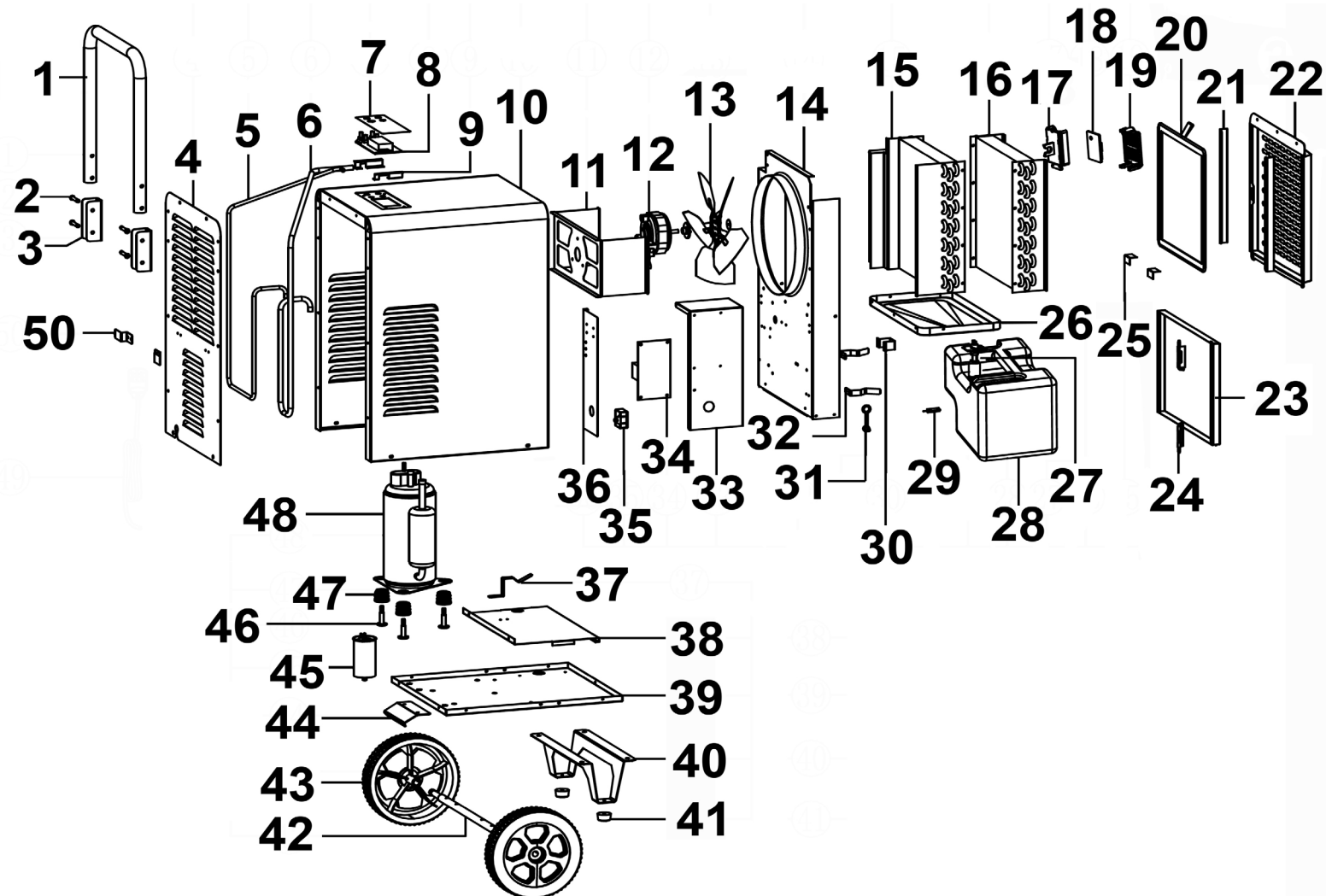




Parts Information:
Industrial Dehumidifier 110V, 50L
Model No: SDH50110V



NOTE: It is our policy to continually improve products and as such we reserve the right to alter data, specifications and component parts without prior notice.

There may be alternative versions of this product, please contact us should you require this information.

IMPORTANT: No liability is accepted for incorrect use of product. Spare parts must be fitted by a competent person

WARRANTY: Guarantee is 12 months from purchase date, proof of which will be required for any claim.

Jack Sealey Ltd t/a Sealey Group, Kempson Way, Suffolk Business Park, Bury St Edmunds, Suffolk, IP32 7AR UK
Jack Sealey (EU) Ltd t/a Sealey Group, Farney Street, Carrickmacross, Co. Monaghan, A81 PK68 Ireland
Tel: 01284 757500 • Email: sales@sealey.co.uk • Web: www.sealey.co.uk



TM

Parts Information:
Industrial Dehumidifier 110V, 50L
Model No: SDH50110V

Item	Part No.	Description
1	SDH50.V3-22	Handle
2	SS635.S	Hex Head Set Screw M6 x 35mm
3	SDH50.V3-23	Handle Bracket
4	SDH50110V.04	Rear Panel
5	SDH50110V.05	High Pressure Pipe
6	SDH50110V.06	Low Pressure Pipe
7	SDH50110V.07	Cover for Display Panel
8	SDH50110V.08	PCB,Control Board, 138 x 60mm (c/w 4 x Switches)
9	SDH50110V.09	PCB Support
10	SDH50110V.10	Body
11	SDH50110V.11	Motor Bracket
12	SDH50110V.12	Motor 110V/50Hz
13	SDH50110V.13	Fan Blade
14	SDH50110V.14	Middle Panel
15	SDH50110V.15	Condensor
16	SDH50110V.16	Evaporator
17	SDH50110V.17	Module Bracket
18	SDH50110V.18	Temperature/Humidity Sensor
19	SDH50110V.19	Module Cover
20	SDH50110V.20	Filter
21	SDH50110V.21	Rear Panel Bracket (Horizontal)
22	SDH50110V.22	Front Panel (Upper)
23	SDH50110V.23	Front Panel (Lower)
24	SDH50110V.24	Door Hinge
25	SDH50110V.25	Shelf Bracket

Item	Part No.	Description
26	SDH50110V.26	Water Tray
27	SDH50.V3-44	Water Level Switch
28	SDH50.V3-45	Water Tank
29	SDH50.V3-32	Magnetic Switch
30	SDH50.V3-33	Magnetic Switch Bracket
31	SDH50110V.31	Water Plug
32	SDH50110V.32	Tank Bracket, Left
33	SDH50110V.33	Electric Control Box
34	SDH50110V.34	PCB, 110V/50Hz, Size-130 x 70mm, Fuse
35	SDH50110V.35	Capacitor 6µF 450VAC
36	SDH50110V.36	Control Box Side Panel
37	SDH50110V.37	Water Tank Support Bracket, Right
38	SDH50110V.38	Support Plate
39	SDH50110V.39	Bottom Plate
40	SDH50.V3-39	Steel Stand
41	SDH50.V3-38	Foot
42	SDH50110V.42	Wheel Axle
43	SDH50.V3-37	Wheel, Fixed Plastic (Ø197 x 50 x Ø12mm) (Set of 2)
44	SDH50110V.44	Foot Pedal
45	SDH50110V.45	Capacitor 50µF 450VAC
46	SS840.S	Hex Head Set Screw M8 x 40mm
47	SDH50110V.47	Compressor Foot (Rubber)
48	SDH50110V.48	Compressor 110V 50Hz
50	SDH50110V.50	Cable Grip

NOTE: It is our policy to continually improve products and as such we reserve the right to alter data, specifications and component parts without prior notice. There may be alternative versions of this product, please contact us should you require this information.

IMPORTANT: No liability is accepted for incorrect use of product. Spare parts must be fitted by a competent person

WARRANTY: Guarantee is 12 months from purchase date, proof of which will be required for any claim.

Jack Sealey Ltd t/a Sealey Group, Kempson Way, Suffolk Business Park, Bury St Edmunds, Suffolk, IP32 7AR UK

Jack Sealey (EU) Ltd t/a Sealey Group, Farney Street, Carrickmacross, Co. Monaghan, A81 PK68 Ireland

Tel: 01284 757500 · Email: sales@sealey.co.uk · Web: www.sealey.co.uk