

Thank you for purchasing a Sealey product. Manufactured to a high standard this product will, if used according to these instructions and properly maintained, give you years of trouble free performance.



IMPORTANT

BEFORE USING THIS PRODUCT, PLEASE READ THE INSTRUCTIONS CAREFULLY. MAKE CAREFUL NOTE OF SAFETY INSTRUCTIONS, WARNINGS AND CAUTIONS. THIS PRODUCT SHOULD ONLY BE USED FOR ITS INTENDED PURPOSE. FAILURE TO DO SO MAY CAUSE DAMAGE OR PERSONAL INJURY, AND WILL INVALIDATE THE WARRANTY.

(The use of symbols in this document is to attract your attention to possible danger. The symbols and warnings themselves do not eliminate any danger, nor are they substitutes for proper accident prevention measures).

1. SAFETY INSTRUCTIONS

1.1 ELECTRICAL SAFETY. **WARNING! IT IS THE USER'S RESPONSIBILITY TO ENSURE THAT:**

All electrical equipment and appliances are safe before using. You must inspect power supply leads, plugs and all electrical connections for wear and damage. You must ensure the risk of electric shock is minimised by the installation of devices such as a "residual current device" (RCD) on the power supply. These are available from Sealey order part no: "RCD981" for socket type, and "RCD982" for plug type. **You must read and understand the following instructions concerning electrical safety.**

- 1.1.1. The **Electricity At Work Act 1989** requires all portable electrical appliances, *if used on a business premises*, to be tested with, or by, a qualified person at least once each year by using a Portable Appliance Tester (PAT).
- 1.1.2. The **Health & Safety at Work Act 1974** makes owners of electrical appliances responsible for the safe condition of the appliance, and the safety of the appliance operator. **If in any doubt about electrical safety, contact a qualified electrician.**

4 DO ensure that cables are always protected against short circuit and overload.

4 DO ensure that the insulation on the cables and the product is safe prior

to connection with the mains supply.

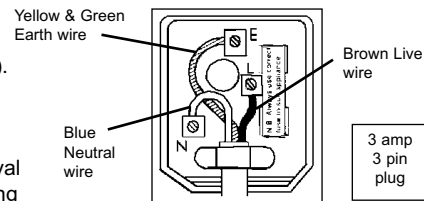
4 DO connect product to the correct capacity power supply and check that all fused plugs are fitted with the correct capacity fuse (all fans use a 3 amp fuse).

7 DO NOT pull, or carry the powered appliance by its power supply lead.

7 DO NOT pull power plugs from sockets by the power cable.

7 DO NOT use worn or damage leads, plugs or connections. Immediately replace or repair by qualified persons. A U.K. 3 pin plug with ASTA/BS approval is fitted. In case of damage, cut off and fit a new plug according to the following instructions (UK only - see diagram at right).

- a) Ensure the unit is correctly earthed by using a three-pin plug.
- b) Connect the GREEN/YELLOW EARTH wire to the EARTH terminal 'E'.
- c) Connect the BROWN LIVE wire to LIVE terminal 'L'.
- d) Connect the BLUE NEUTRAL wire to the NEUTRAL terminal 'N'.



1.2 GENERAL SAFETY

3 Disconnect the system from the mains power when not in use, and before servicing or performing other maintenance.

3 Place the fan in a dry area. Do not place it near wet areas such as bathtubs, hot tubs or pools. If a fan has fallen into water, immediately switch off the power supply. Do not touch the fan until the mains power supply has been switched off.

3 Always disconnect the fan from the power supply when moving it from one location to another.

3 Maintain the fan in good condition (use an authorised service agent).

3 Use recommended accessories only (non recommended accessories can be hazardous, and will invalidate your warranty).

7 DO NOT insert any objects, including body parts, into the fan grille when the fan is connected to the power supply.

7 DO NOT cover the grille.

7 DO NOT immerse the fan in water or any other liquid.

7 DO NOT allow children to operate the fan.

7 DO NOT use the fan outdoors.

7 DO NOT use an extension cord unless it has been approved by an electrical authority.

2. OPERATION

2.1. Assemble the fan blade and safety grille.

2.1.1. Remove the blade screw and guard screw from the motor shaft by screwing clockwise and counter-clockwise respectively.

2.1.2. Attach the rear grille to the motor shaft, with the handle in the upright position.

2.1.3. Attach the guard screw by tightly screwing it to the motor shaft.

2.1.4. Install the blade onto the motor shaft until it reaches the retaining pin.

2.1.5. Attach the blade screw to the motor shaft by screwing it in counter-clockwise.

2.1.6. Open the clips on the front grille and fix it to the rear grille. Close the clips over the rear grille edge to secure the position.

2.1.7. Tighten the assembly by tightening the grille's locking screw and nut.

2.2. Place the fan in a suitable location and attach to the power supply.

2.3. Press the switch buttons to generate the desired speed.

2.4. To make the fan oscillate, push the oscillating knob (see diagram) on the top of the motor casing. To stop the fan oscillating, pull the knob up.

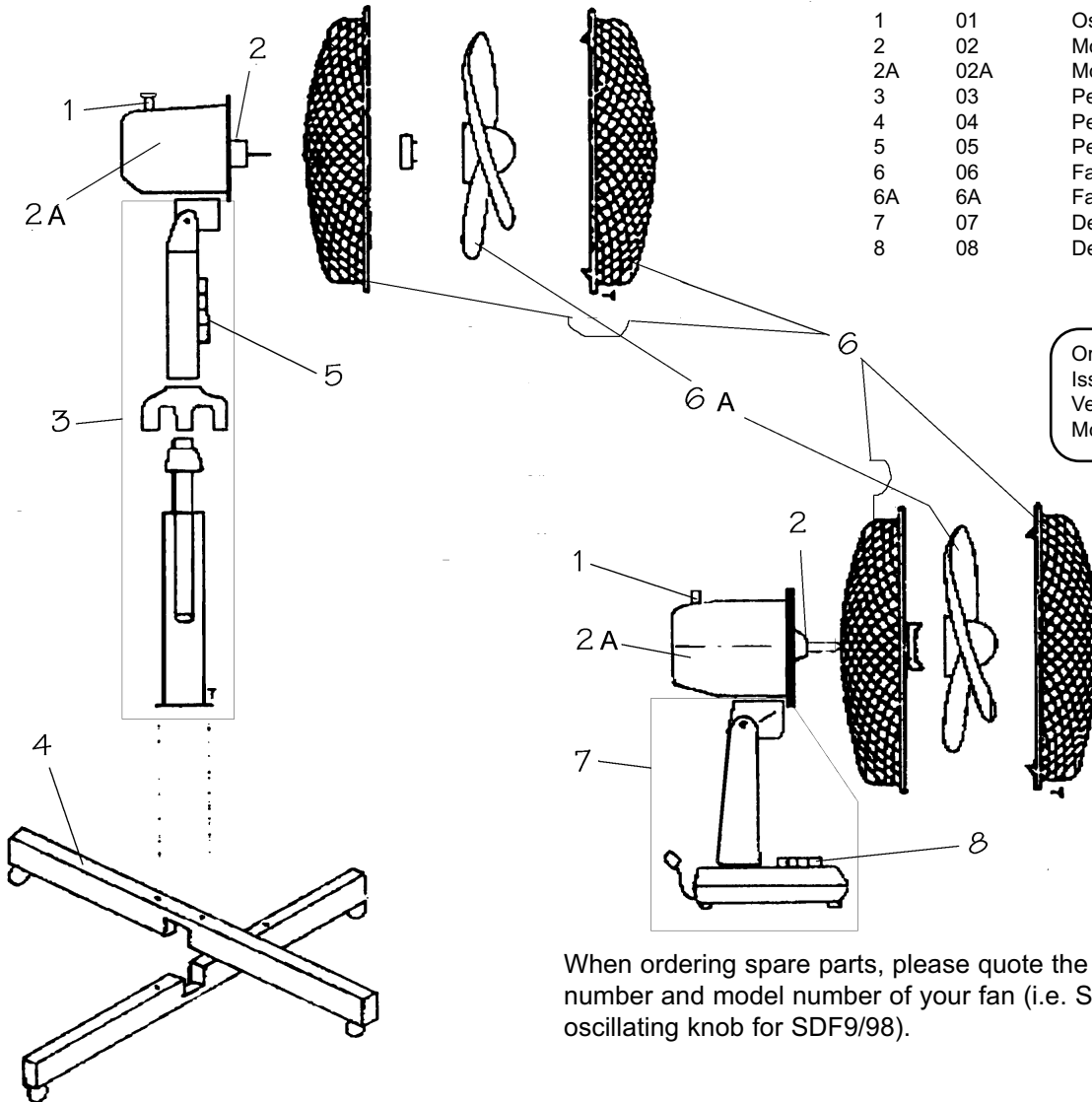
2.5. To adjust the fan up or down, loosen the swivel adjustment knob (at the base of the motor casing - see diagram), move the fan to the desired angle, then tighten the knob.

2.6. To adjust the height of the pedestal fan, loosen the height adjustment screw (see diagram), adjust to the desired height, then tighten the screw.



Parts and Diagram For:
 Desk and Pedestal Fans
 Model Nos: SDF9/98, SDF12/98
 SDF16/98 & SFP16/98

Item	Part No.	Description
1	01	Oscillating Knob
2	02	Motor Assembly
2A	02A	Motor casing
3	03	Pedestal Assembly
4	04	Pedestal Stand
5	05	Pedestal Fan Switch
6	06	Fan guard Assembly
6A	6A	Fan Blade
7	07	Desk Stand Assembly
8	08	Desk Fan Switch



Origin Date: 09/01/98
 Issue Date: 19/01/98
 Version No: 0
 Modified Date: N/A

When ordering spare parts, please quote the illustration number and model number of your fan (i.e. SDF9/98-01 is the oscillating knob for SDF9/98).

Declaration of Conformity We, the sole importer into the UK, declare that the products listed below are in conformity with the following EEC standards and directives

<p>Desk & Pedestal Fans: SDF9/98, SDF12/98, SDF16/98 & SFP16/98 89/336/EEC Electromagnetic Compatibility 73/23/EEC Low Voltage Directive</p>	<p>CE The construction file for these products is held by the Manufacturer and may be inspected on request by contacting Jack Sealey Ltd.</p> <p>Signed by John Sealey  Date 1st January 1998</p> <p><i>For Jack Sealey Ltd., Sole importer into the UK of Sealey Power Products.</i></p>
---	--

IMPORTANT: NO RESPONSIBILITY IS ACCEPTED FOR INCORRECT USE OF THIS EQUIPMENT.
WARRANTY: GUARANTEE IS 12 MONTHS FROM PURCHASE DATE. PROOF OF PURCHASE WILL BE REQUIRED FOR ANY CLAIM.
INFORMATION: PLEASE CALL US FOR A COPY OF OUR LATEST CATALOGUE.

	<p>Sealey Group, Bury St. Edmunds, Suffolk.</p>	<p>Fans - 140 - 090198</p>
--	--	----------------------------

01284 757500	01284 703534	E-mail: sales@sealey.co.uk
--------------	--------------	--