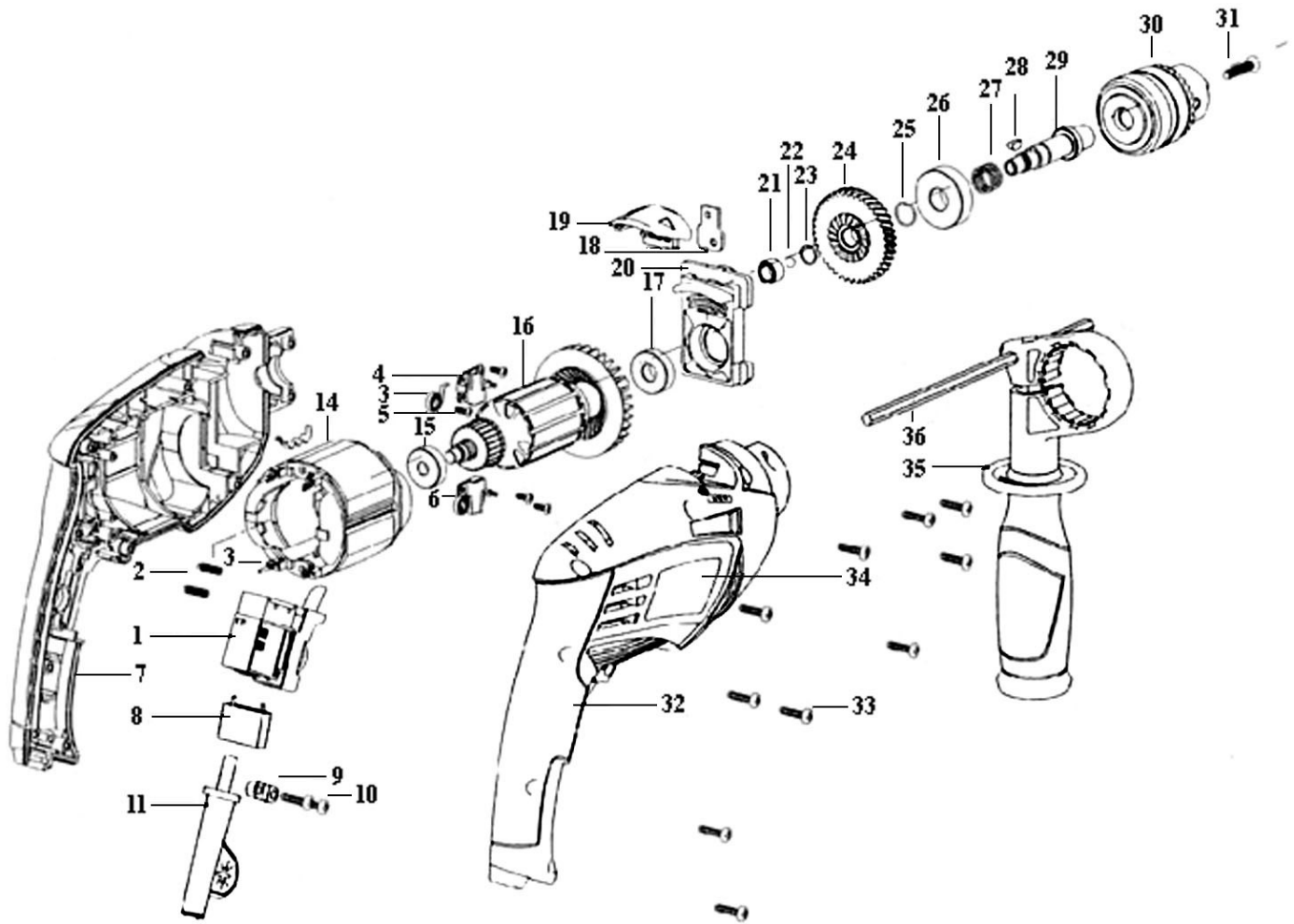


Parts Information:
**Hammer Drill 13mm Variable Speed with
 Reverse 810W/230V
 Model No: SD800.V2**



Item	Part No.	Description
1	SD800.V2-01	SWITCH
2	SD800.V2-02	INDUCTOR
3	SD800.V2-03	BRUSH HOLDER CAP (PAIR)
4	SD800.V2-04	CARBON BRUSH (SINGLE)
5	SD800.V2-05	TAPPING SCREW (ST2.9x12)
6	SD800.V2-06	BRUSH HOLDER
7	SD800.V2-07	HOUSING (LEFT)
8	SD800.V2-08	CAPACITOR
9	SD800.V2-09	CABLE CLIP
10	SD800.V2-10	TAPPING SCREW
11	SD800.V2-11	CABLE GRIP
14	SD800.V2-14	STATOR
15	B/609-2RS	BEARING 609-2RS
16	SD800.V2-16	ROTOR (155mm overall length)
17	B/627ZZ	BEARING 627ZZ
18	SD800.V2-18	SLIDE
19	SD800.V2-19	PUSH BUTTON

Item	Part No.	Description
20	SD800.V2-20	SUPPORT
21	SD800.V2-21	BRASS BUSH
22	SB-5.0	STEEL BALL 5.0mm
23	SD800.V2-23	CIRCLIP
24	SD800.V2-24	GEAR
25	SD800.V2-25	CIRCLIP
26	B/6201Z	BEARING 6201Z
27	SD800.V2-27	SPRING
28	SD800.V2-28	KEY FOR SHAFT
29	SD800.V2-29	SHAFT
30	SD1000.V3-58	CHUCK 1.5-13mm 1/2x20UNF
31	SD800.V2-31	SCREW (M5x25)
32	SD800.V2-32	HOUSING (RIGHT)
33	SD800.V2-33	TAPPING SCREW
34	SD800.V2-34	LABEL
35	SD800.V2-35	SIDE HANDLE
36	SD800.V2-36	SCALE

NOTE: It is our policy to continually improve products and as such we reserve the right to alter data, specifications and component parts without prior notice.

IMPORTANT: No liability is accepted for incorrect use of product.

WARRANTY: Guarantee is 12 months from purchase date, proof of which will be required for any claim.