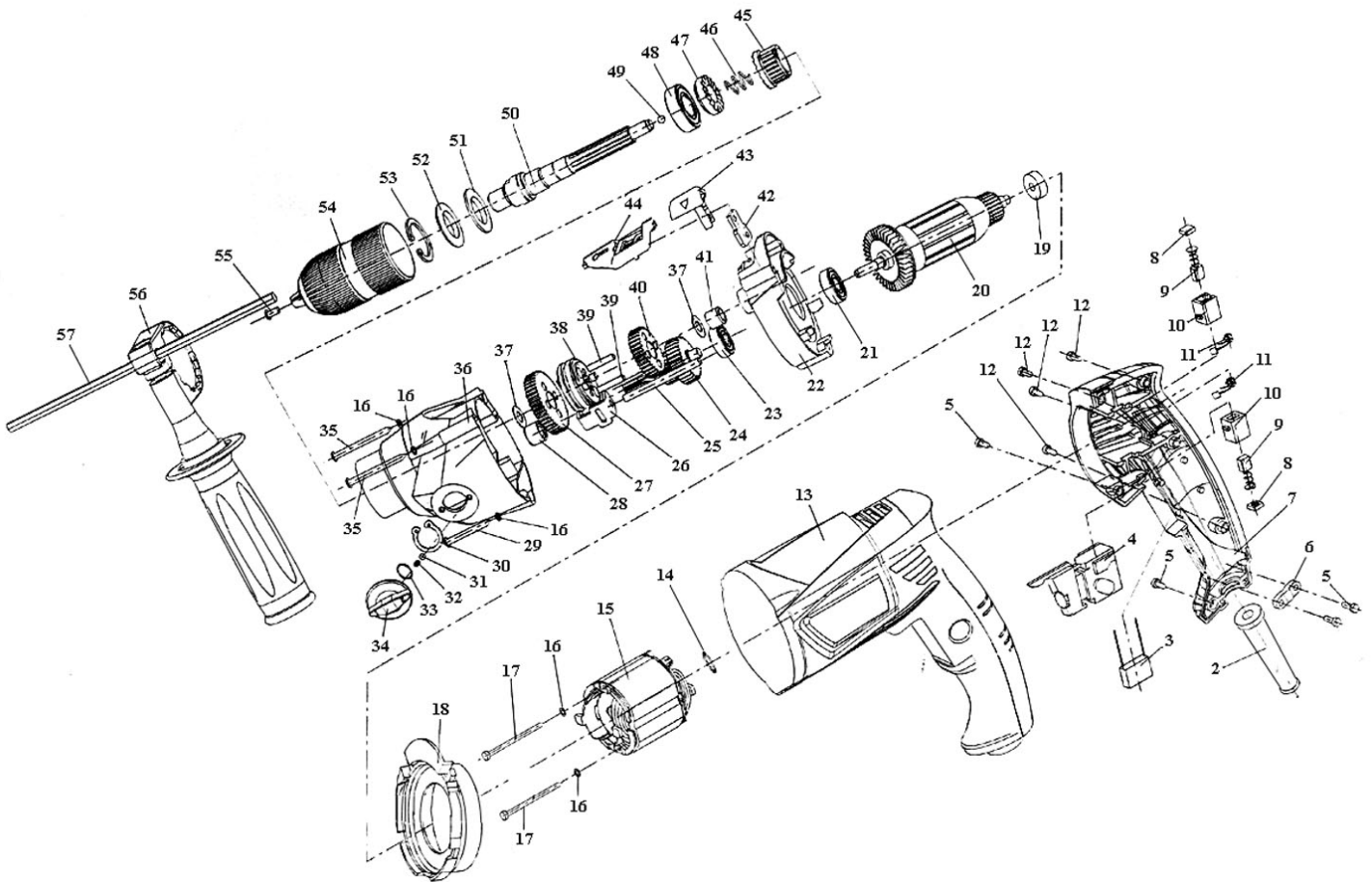




Parts Information:  
Hammer Drill 13mm 2 Mechanical/Variable  
Speed 1050W/230V  
Model No: SD1000.V2



**NOTE:** It is our policy to continually improve products and as such we reserve the right to alter data, specifications and component parts without prior notice.

**IMPORTANT:** No liability is accepted for incorrect use of product.

**WARRANTY:** Guarantee is 12 months from purchase date, proof of which will be required for any claim.

Sealey Group, Kempson Way, Suffolk Business Park, Bury St Edmunds, Suffolk. IP32 7AR



01284 757500



01284 703534



sales@sealey.co.uk



www.sealey.co.uk



Parts Information:  
**Hammer Drill 13mm 2 Mechanical/Variable  
Speed 1050W/230V  
Model No: SD1000.V2**

Item	Part No.	Description
2	SD1000.V2-02	CABLE GRIP
3	SD1000.V2-03	CAPACITOR
4	SD1000.V2-04	SWITCH
5	SD1000.V2-05	RD HEAD S/T SCREW M4X16
6	SD1000.V2-06	CABLE CLIP
7	SD1000.V2-07	HANDLE COVER
8	SD1000.V2-08	BRUSH CAP
9	SD1000.V2-09	CARBON BRUSH (SINGLE)
10	SD1000.V2-10	BRUSH HOLDER
11	SD1000.V2-11	INDUCTOR
12	SD1000.V2-12	RD HEAD S/T SCREW M4X20
13	SD1000.V2-13	HOUSING
14	SD1000.V2-14	RING
15	SD1000.V2-15	STATOR
16	FWM4.S	FLAT WASHER M4 SINGLE
17	SD1000.V2-17	RD HEAD S/T SCREW M4X70
18	SD1000.V2-18	FAN GUIDE
19	B/627ZZ	BEARING 627ZZ
20	SD1000.V2-20	ROTOR
21	B/609-2RS	BEARING 609-2RS
22	SD1000.V2-22	SUPPORT
23	B/607ZZ	BEARING 607ZZ
24	SD1000.V2-24	MIDDLE GEAR
25	SD1000.V2-25	PIN
26	SD1000.V2-26	SLIDE
27	SD1000.V2-27	SLOW GEAR
28	B/HK071410	NEEDLE BEARING HK071410
29	SD1000.V2-29	RD HEAD S/T SCREW M4X40
30	SD1000.V2-30	CIRCLIP FOR SHAFT
31	SB-4.0	STEEL BALL 4.0mm
32	SD1000.V2-32	SPRING
33	SD1000.V2-33	SEAL RING
34	SD1000.V2-34	KNOB
35	SD1000.V2-35	RD HEAD S/T SCREW M4X60

Item	Part No.	Description
36	SD1000.V2-36	GEARBOX
37	SD1000.V2-37	WASHER 1/2" BLACK THIN
38	SD1000.V2-38	CLUTCH
39	SD1000.V2-39	GUDGEON PIN
40	SD1000.V2-40	QUICK GEAR
41	SD1000.V2-41	NEEDLE BEAR (Hk081210)
42	SD1000.V2-42	SLIDE
43	SD1000.V2-43	PUSH BUTTON
44	SD1000.V2-44	PUSH BUTTON SEAT
45	SD1000.V2-45	IMPACT TOOTH
46	SD1000.V2-46	SPRING
47	SD1000.V2-47	IMPACT TOOTH
48	B/6002ZZ	BEARING 6002ZZ
49	SB-5.0	STEEL BALL 5.0mm
50	SD1000.V2-50	SPINDLE
51	SD1000.V2-51	FELT WASHER
52	SD1000.V2-52	SEAL RING
53	SD1000.V2-53	CIRCLIP
54	SD1000.V3-58	CHUCK 1.5-13mm 1/2x20UNF
--	DC/J-38K-T	CHUCK KEY T-SHAPE (NOT SHOWN)
55	SD1000.V2-55	CSK MACHINE SCREW M6X25 (L/H THREAD)
56	SD1000.V2-56	SIDE HANDLE
57	SD1000.V2-57	SCALE
--	SD1000.V2-58	WOOD DRILL BIT 5mm (NOT SHOWN)
--	SD1000.V2-59	WOOD DRILL BIT 6mm (NOT SHOWN)
--	SD1000.V2-60	WOOD DRILL BIT 8mm (NOT SHOWN)
--	SD1000.V2-61	MASONRY DRILL BIT 6mm (NOT SHOWN)
--	SD1000.V2-62	MASONRY DRILL BIT 8mm (NOT SHOWN)
--	SD1000.V2-63	MASONRY DRILL BIT 10mm (NOT SHOWN)
--	SD1000.V2-64	HSS DRILL BIT 3mm (NOT SHOWN)
--	SD1000.V2-65	HSS DRILL BIT 4.5mm (NOT SHOWN)
--	SD1000.V2-66	HSS DRILL BIT 5mm (NOT SHOWN)
--	SD1000.V2-67	HSS DRILL BIT 6mm (NOT SHOWN)

**NOTE:** It is our policy to continually improve products and as such we reserve the right to alter data, specifications and component parts without prior notice.

**IMPORTANT:** No liability is accepted for incorrect use of product.

**WARRANTY:** Guarantee is 12 months from purchase date, proof of which will be required for any claim.

**Sealey Group**, Kempson Way, Suffolk Business Park, Bury St Edmunds, Suffolk. IP32 7AR



01284 757500



01284 703534



sales@sealey.co.uk



www.sealey.co.uk