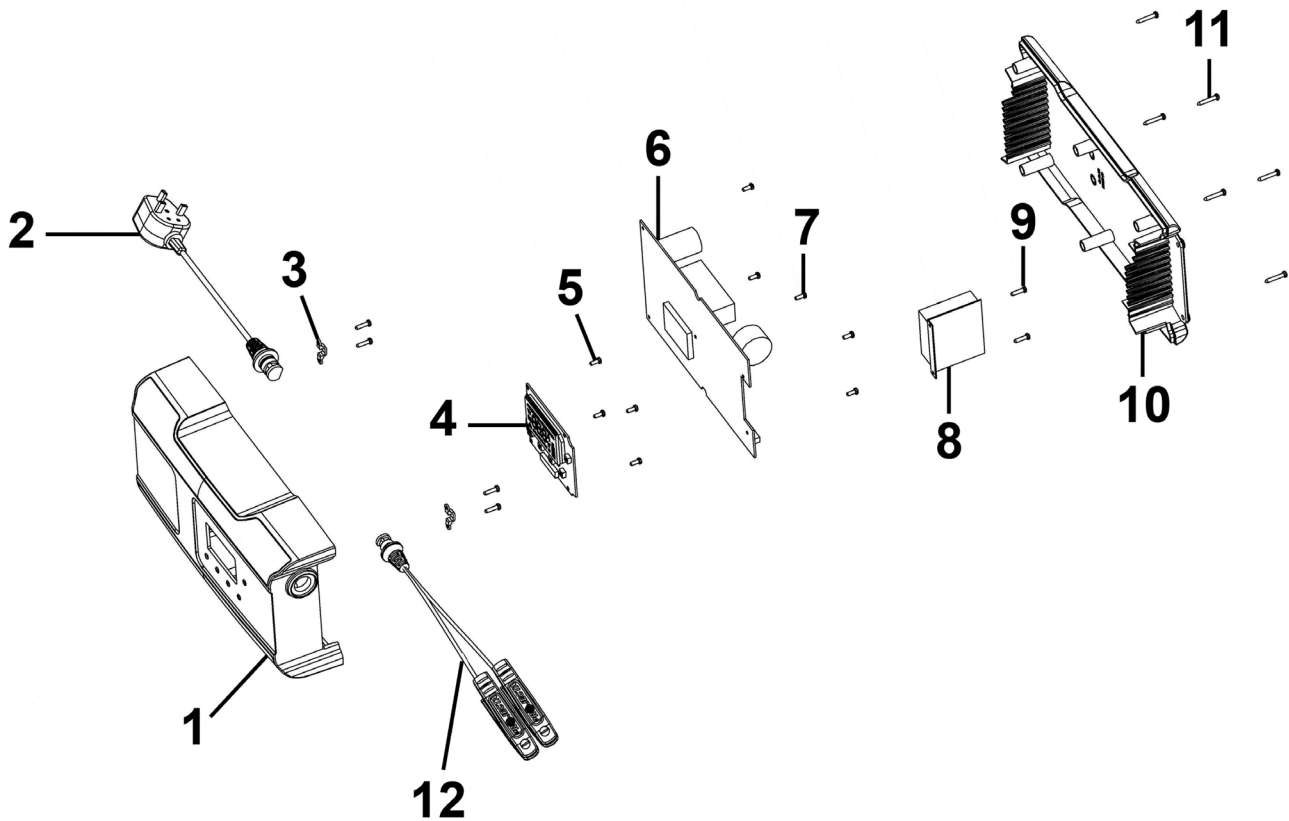




Parts Information:  
**12/24V Compact Smart Battery Charger  
 and Maintainer 25A**  
**Model No: SCBC25**



Item	Part No.	Description
1	SCBC25-01	Top Cover for SCBC25
2	SCBC25-02	Power Cable
3	SCBC25-03	Cable Brace
4	SCBC25-04	Display Board
5	SMC01V2-04	Rd Head S/T Screw M3 X 6 Flat End
6	SCBC25-06	PCB

Item	Part No.	Description
7	SCBC25-07	Self-Tapping Screw ST3x8
8	SCBC25-08	Cooling Fan
9	SMC01V2-08	Rd Head S/T Screw M3 X 14
10	SCBC25-10	Bottom Cover for SCBC25
11	SCBC25-11	Self-Tapping Screw 3x16
12	SCBC25-12	Postive & Negative Cable with Clamps

**NOTE:** It is our policy to continually improve products and as such we reserve the right to alter data, specifications and component parts without prior notice. There may be alternative versions of this product, please contact us should you require this information.

**IMPORTANT:** No liability is accepted for incorrect use of product. Spare parts must be fitted by a competent person

**WARRANTY:** Guarantee is 12 months from purchase date, proof of which will be required for any claim.

Sealey Group, Kempson Way, Suffolk Business Park, Bury St Edmunds, Suffolk. IP32 7AR



01284 757500



sales@sealey.co.uk



www.sealey.co.uk