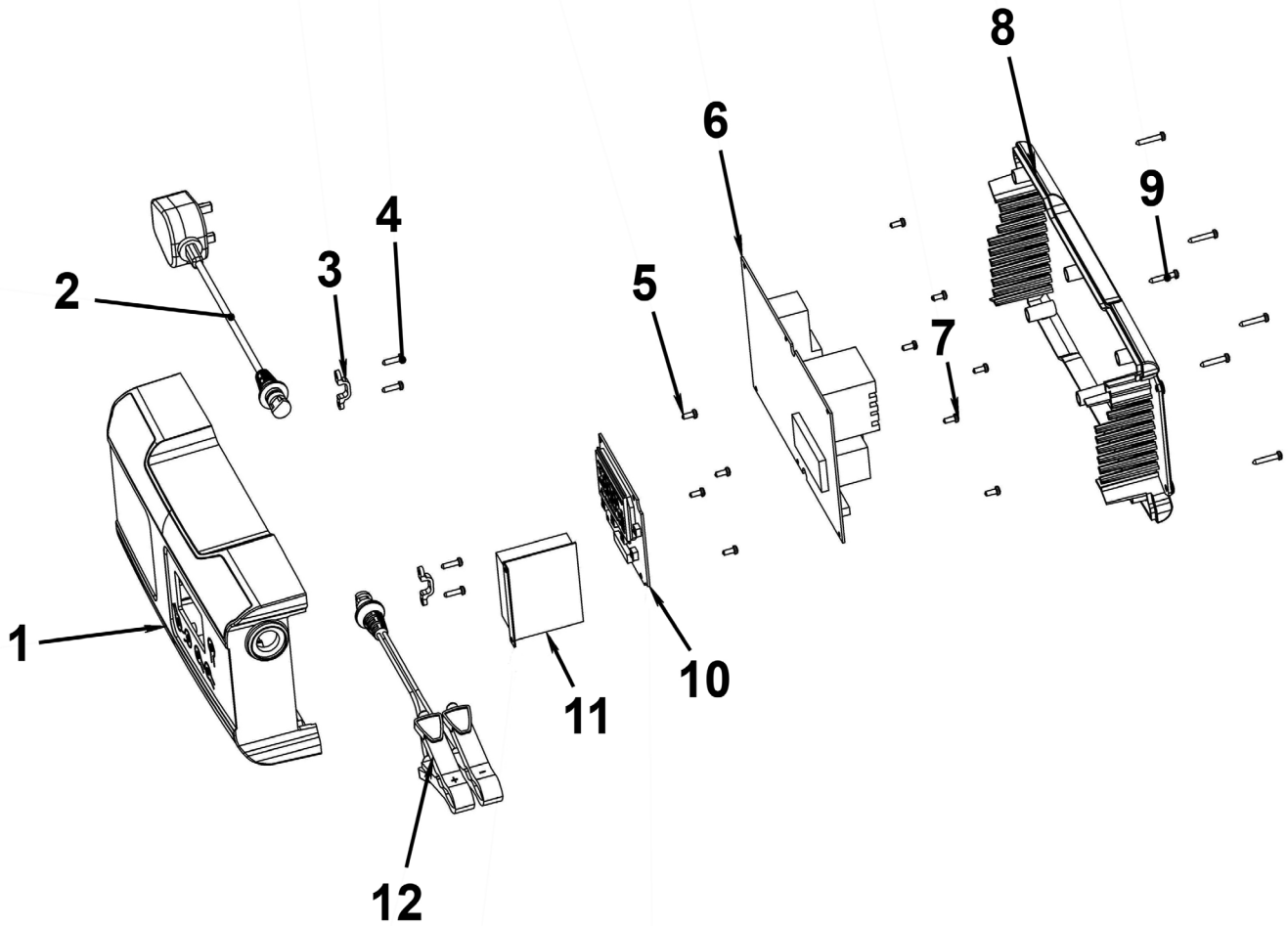




Parts Information:
**12/24V Compact Smart Battery Charger
 and Maintainer 15A**
Model No: SCBC15



Item	Part No.	Description
1	SCBC15-01	Top Cover for SCBC15
2	SCBC15-02	Power Cable
3	SCBC15-03	Cable Brace
4	SCBC15-04	Rd Head S/T Screw M3 X 14
5	SCBC15-05	Self-Tapping Screw ST3x6
6	SCBC15-06	PCB

Item	Part No.	Description
7	SCBC15-07	Self-Tapping Screw ST3x8
8	SCBC15-08	Bottom Cover for SCBC15
9	SCBC15-09	Self-Tapping Screw 3x16
10	SCBC15-10	Display Board
11	SCBC15-11	Cooling Fan
12	SCBC15-12	Positive & Negative Cable with Clamps

NOTE: It is our policy to continually improve products and as such we reserve the right to alter data, specifications and component parts without prior notice. There may be alternative versions of this product, please contact us should you require this information.

IMPORTANT: No liability is accepted for incorrect use of product. Spare parts must be fitted by a competent person

WARRANTY: Guarantee is 12 months from purchase date, proof of which will be required for any claim.

Sealey Group, Kempson Way, Suffolk Business Park, Bury St Edmunds, Suffolk. IP32 7AR



01284 757500



sales@sealey.co.uk



www.sealey.co.uk