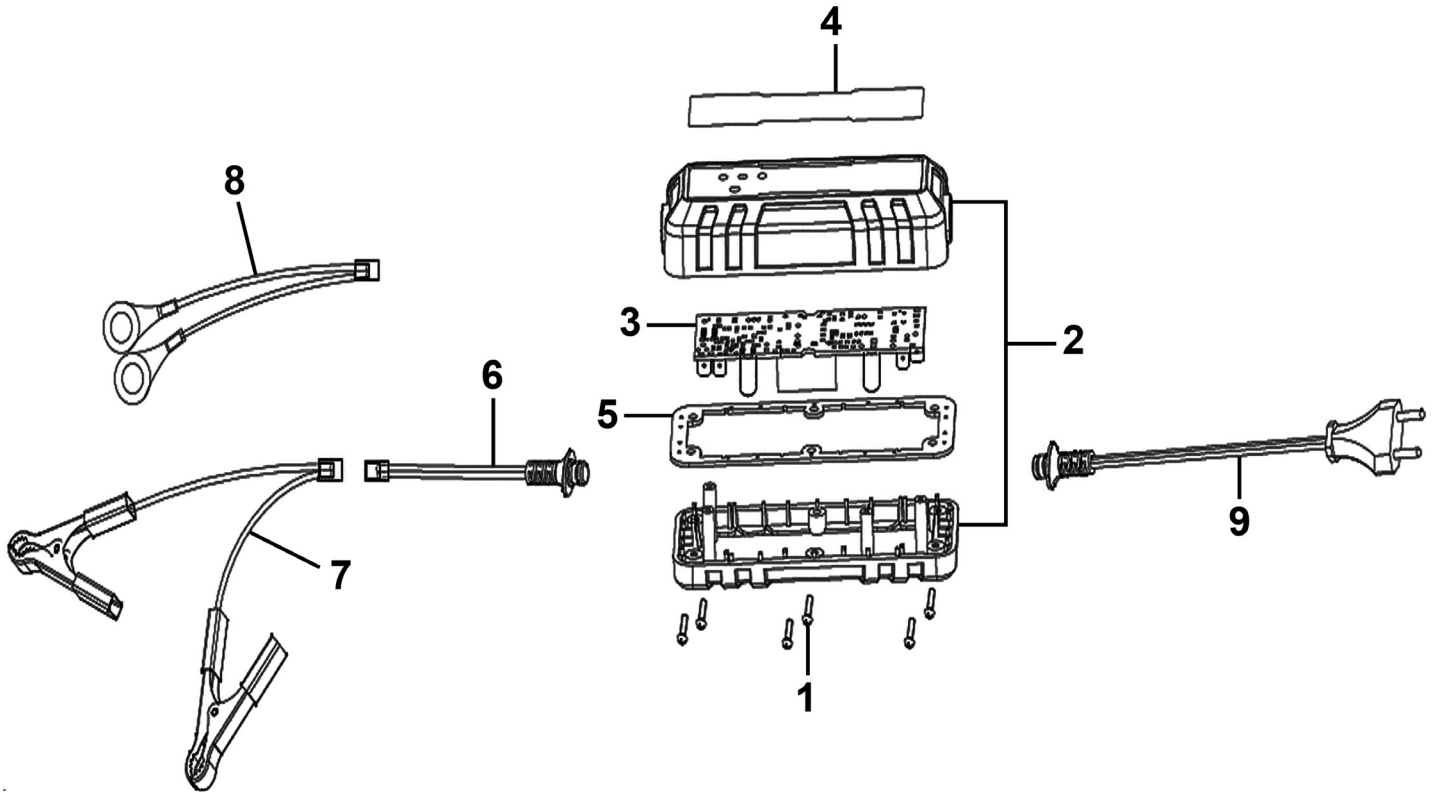




Parts Information:  
**6/12V Fully Automatic Battery Maintainer/  
 Charger 1A**  
**Model No: SBC1**



Item	Part No.	Description	Qty
1	SBC1-01	Casing Screw	6
2	SBC1-02	Casing Assembly	1
3	SBC1-03	PCB	1
4	SBC1-04	Front Label	1
5	SBC1-05	Casing Seal	1

Item	Part No.	Description	Qty
6	SBC1-06	Clamp/Cable Connector	1
7	SBC1-07	Positive & Negative Clamp/Cable	1
8	SBC1-08	Terminal Connector	1
9	SBC1-09	Power Cable	1

**NOTE:** It is our policy to continually improve products and as such we reserve the right to alter data, specifications and component parts without prior notice. There may be alternative versions of this product, please contact us should you require this information.

**IMPORTANT:** No liability is accepted for incorrect use of product. Spare parts must be fitted by a competent person

**WARRANTY:** Guarantee is 12 months from purchase date, proof of which will be required for any claim.

Sealey Group, Kempson Way, Suffolk Business Park, Bury St Edmunds, Suffolk. IP32 7AR



01284 757500



sales@sealey.co.uk



www.sealey.co.uk