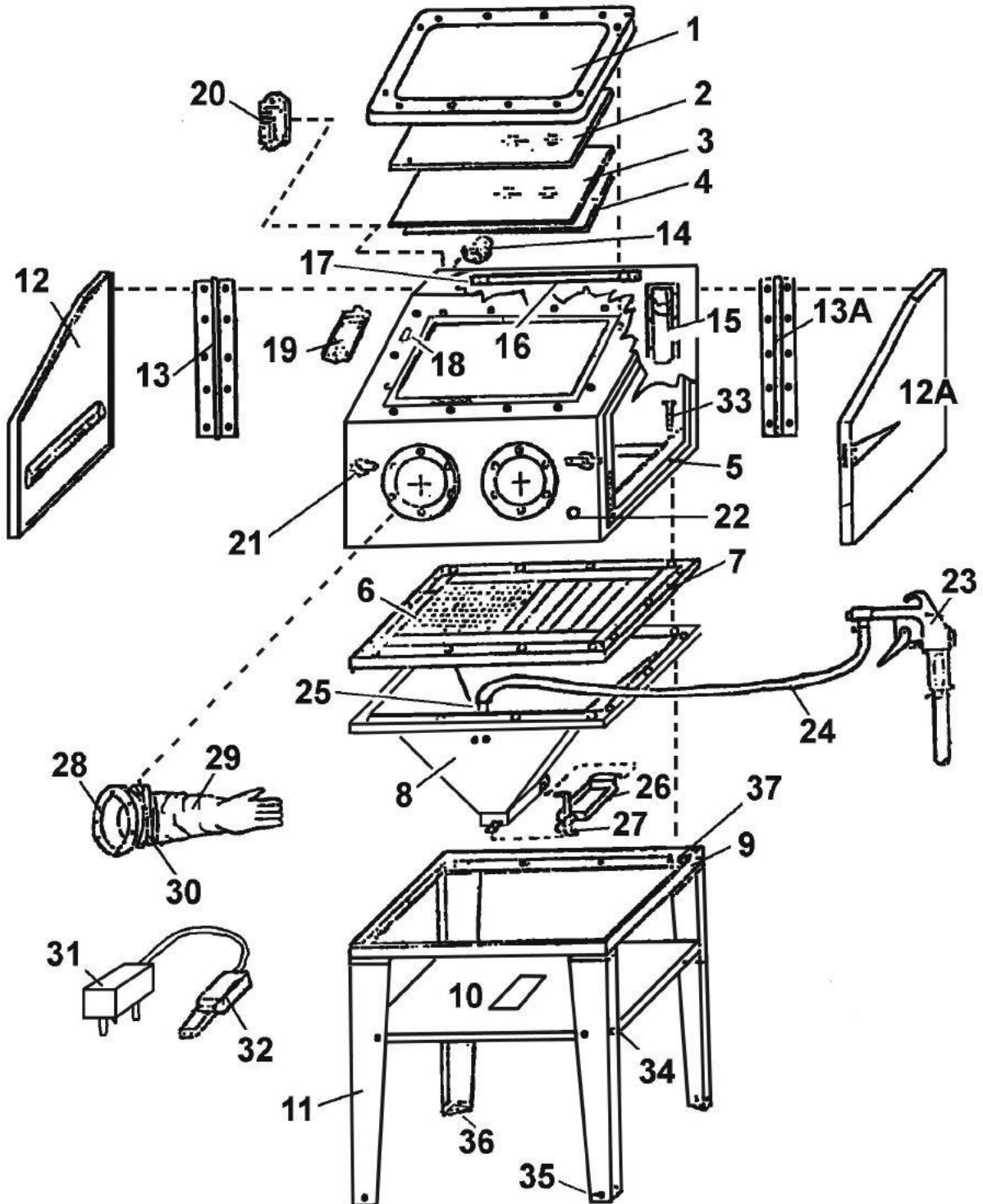


Parts Information:
**Shot Blasting Cabinet Double Access 960
 x 720 x 1500mm**
Model No: SB974.V3



NOTE: It is our policy to continually improve products and as such we reserve the right to alter data, specifications and component parts without prior notice.

IMPORTANT: No liability is accepted for incorrect use of product.

WARRANTY: Guarantee is 12 months from purchase date, proof of which will be required for any claim.



Parts Information:
**Shot Blasting Cabinet Double Access 960
x 720 x 1500mm**
Model No: SB974.V3

1	SB974.V3-01	PLASTIC FRAME
2	SB974.V3-02	ORGANIC GLASS(600mm x 300mm x 2mm)
3	SB974.V3-03	GLASS 305mm x 610mm
4	SB974.V3-04	PROTECTION FILM
5	SB974.V3-05	CABINET
6	SB974.V3-06	NET
7	SB974.V3-07	NET SHELF
8	SB974.V3-08	FUNNEL
9	SB974.V3-09	FRAME
10	SB974.V3-10	SHELF
11	SB974.V3-11	LEG FOR FRONT RIGHT SIDE/BACK LEFT SIDE
--	SB974.V3-11A	LEG FOR FRONT LEFT SIDE/BACK RIGHT SIDE (NOT SHOWN)
12	SB974.V3-12	DOOR (LEFT) (PLASTIC)
12A	SB974.V3-12A	DOOR (RIGHT) (PLASTIC)
13	SB974.V3-13	HINGE
13A	SB974.V3-13A	HINGE
14	SB974.V3-14	FLANGE
15	SB973.V3-06	INTAKE VENT COVER
16	SB974.V3-16	LAMP
17	SB974.V3-17	CLAMP
18	SB974.V3-18	SWITCH
19	SB974.V3-19	SWITCH BOX

Item	Part No.	Description
20	SB974.V3-20	SOCKET
21	SB974.V3-21	LOCK
22	SB974.V3-22	AIR INPUT(INC PROTECTING RING)
23	SB974.V3-23	SANDING GUN
24	SB974.V3-24	SANDING INPUT HOSE
25	SB974.V3-25	SAND INPUT PIPE
26	SB974.V3-26	FUNNEL COVER
27	SB974.V3-27	HOOK
28	SB974.V3-28	GLOVE MOUNTING FLANGE
29	SSP41	SHOT BLASTING GAUNTLETS 585mm CUFFED
30	SB974.V3-30	CLAMP
31	SB974.V3-31	TRANSFORMER (3-PIN)
--	SB974.V3-31A	TRANSFORMER (2-PIN EURO PLUG) (NOT SHOWN)
32	SB974.V3-32	PLUG
33	SB974.V3-33	SCREW
34	SB974.V3-34	SCREW
35	SB974.V3-35	SCREW
36	SB974.V3-36	MOULDING
37	SB974.V3-37	SCREW

NOTE: It is our policy to continually improve products and as such we reserve the right to alter data, specifications and component parts without prior notice.

IMPORTANT: No liability is accepted for incorrect use of product.

WARRANTY: Guarantee is 12 months from purchase date, proof of which will be required for any claim.

Sealey Group, Kempson Way, Suffolk Business Park, Bury St Edmunds, Suffolk. IP32 7AR



01284 757500



01284 703534



sales@sealey.co.uk



www.sealey.co.uk