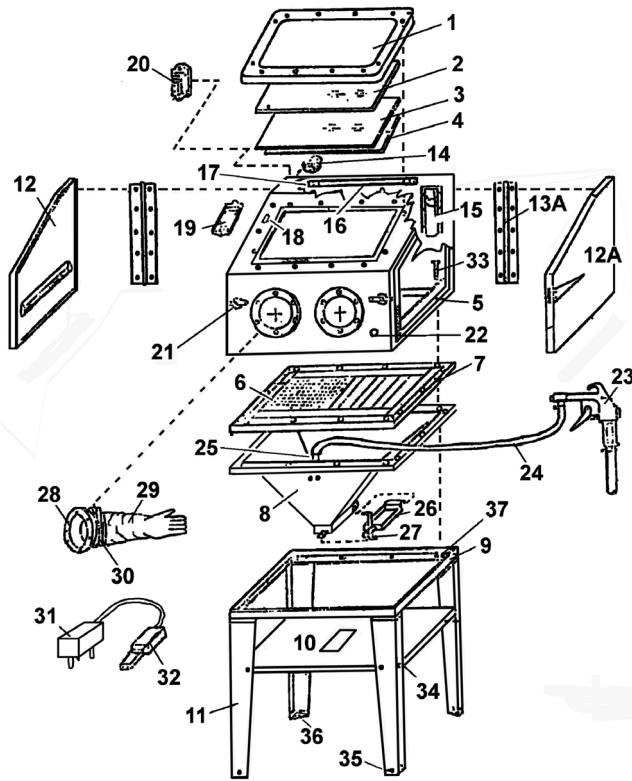


Parts Information:
**Shot Blasting Cabinet Double Access 960
 x 720 x 1500mm**
Model No: SB974.V2



Item	Part No.	Description
1	SB974.V3-01	PLASTIC FRAME
2	SB974.V3-02	ORGANIC GLASS(600mm x 300mm x 2mm)
3	SB974.V3-03	GLASS 305mm x 610mm
4	SB973.V3-04	PROTECTION FILM
5	SB974/05	CABINET
6	SB974/06	NET
7	SB974/07	NET SHELF
8	SB974/08	FUNNEL
9	SB974.V3-09	FRAME
10	SB974.V3-10	SHELF
11	SB974.V3-11	LEG FOR FRONT RIGHT SIDE/BACK LEFT SIDE
12	SB974.V3-12	DOOR (LEFT) (PLASTIC)
12A	SB974.V2-12A	DOOR (RIGHT)
13A	SB974/13A	HINGE
14	SB974.V3-14	FLANGE
15	SB974/15	AIR INPUT COVER
16	SB974/16	LAMP
17	SB974/17	CLAMP
18	M/MIG250.12	ON/OFF SWITCH
19	SB974.V3-19	SWITCH BOX
20	SB974.V3-20	SOCKET
21	SB974.V3-21	LOCK

Item	Part No.	Description
22	SB974.V3-22	AIR INPUT(INC PROTECTING RING)
23	SB974.V3-23	SANDING GUN
--	SB974.V3-23-1	SANDING GUN NOZZLE (PK OF 4) (NOT SHOWN)
--	SB974.V3-23-2	AIR INLET NOZZLE (NOT SHOWN)
24	SB974.V3-24	SANDING INPUT HOSE
25	SB974.V3-25	SAND INPUT PIPE
26	SB974/26	FUNNEL COVER
27	SB974.V3-27	HOOK
28	SB974.V3-28	GLOVE MOUNTING FLANGE
29	SSP41	SHOT BLASTING GAUNTLETS 585mm CUFFED Pai
30	SB974.V3-30	CLAMP
31	SB951/C/27-1	TRANSFORMER
32	SB974.V3-32	PLUG
33	MSP630.S	MACHINE SCREW PAN HEAD PHILLIPS M6x30mm (SINGLE)
34	SB974/34	SCREW
35	SB974/35	SCREW
36	SB974/36	MOULDING
37	SB974/37	SCREW
--	SB974.DP	DOOR PLATE (NOT SHOWN)

NOTE: It is our policy to continually improve products and as such we reserve the right to alter data, specifications and component parts without prior notice.

IMPORTANT: No liability is accepted for incorrect use of product.

WARRANTY: Guarantee is 12 months from purchase date, proof of which will be required for any claim.