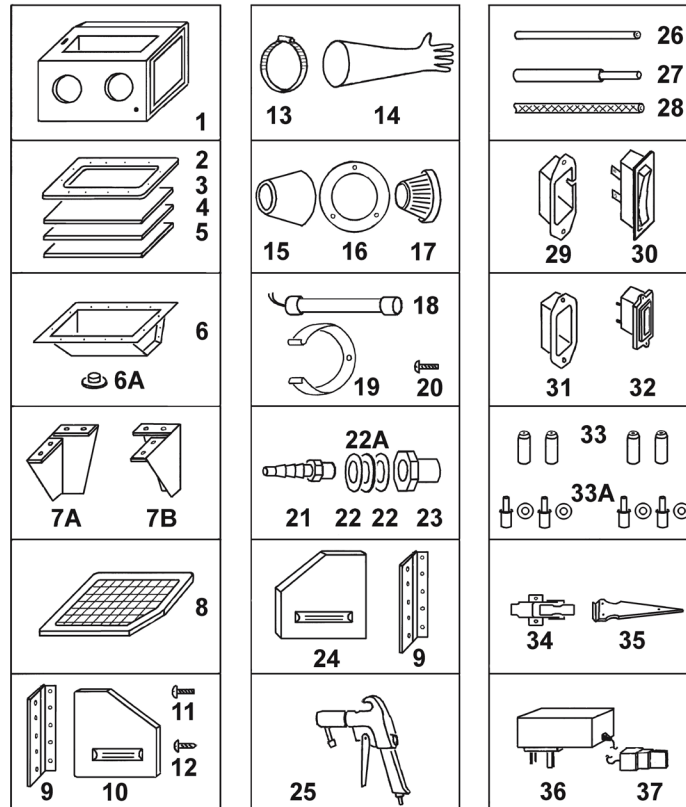




Parts Information:
Shot Blasting Cabinet Double Access 690 x 575 x 620mm
Model No: SB970.V2



Item	Part No.	Description
1	SB970/01	CABINET
2	SB970.V3-02	FRAME
3	SB970.V3-03	ORGANIC GLASS
4	SB970/04	GLASS
5	SB970.V3-04	PROTECTIVE FILM
6	SB970.V3-05	BASE
6A	SB970.V3-05A	PLUG
7A	SB970.V3-06A	RIGHT FRONT/LEFT REAR LEG
7B	SB970.V3-06B	LEFT FRONT/RIGHT REAR LEG
8	SB970/08	MESH
9	SB970.V3-08	HINGE
10	SB970/10	RIGHT DOOR
11	MSP510.S	MACHINE SCREW PAN HEAD PHILLIPS M5x10mm (SINGLE)
12	SB970.V3-11	RD HEAD S/T SCREW M4.8 X 16
13	SB970.V3-12	CLAMP
14	SSP41	SHOT BLASTING GAUNTLETS 585mm CUFFED Pai
15	SB951/C/24-1	FILTER
16	SB972.V4-15	PRESSING RING
17	SB951/C/24	AIR CLEANER
18	SB970.V3-15	LAMP

Item	Part No.	Description
19	SB970/19	CLIP
20	SB970/20	SCREW
21	SB970.V3-18	CONNECTOR
22	SB970/22	REPAIR WASHER M12X30
22A	SB970/22A	RUBBER WASHER
23	SB970/23	HOSE FITTING
24	SB970.V3-19A	LEFT DOOR
25	SB974.V3-23	SANDING GUN
26	SB951/C/15	STEEL SUCTION TUBE
27	SB951/C/13	AIR HOSE
28	SB951/C/14	SUCTION HOSE (PLASTIC)
29	SB970.V3-25	SOCKET HOUSING 'B'
30	SB970.V3-24	SWITCH
31	SB970.V3-25	SOCKET HOUSING 'B'
32	SB970/32	SOCKET HOUSING 'B'
33	SB973/35	CERAMIC NOZZLE (PACK 4)
33A	SB951/C/32	JET AND SEAL
34	SB974.V3-21	LOCK
35	SB970/35	DOOR PLATE (HINGE)
36	SB951.V4-27.1	MAINS TRANSFORMER
37	SB970/37	PLUG
--	SB970/38	SPONGE FOAM (200x20x10) (NOT SHOWN)

NOTE: It is our policy to continually improve products and as such we reserve the right to alter data, specifications and component parts without prior notice.

IMPORTANT: No liability is accepted for incorrect use of product.

WARRANTY: Guarantee is 12 months from purchase date, proof of which will be required for any claim.

Sealey Group, Kempson Way, Suffolk Business Park, Bury St Edmunds, Suffolk. IP32 7AR



01284 757500



01284 703534



sales@sealey.co.uk



www.sealey.co.uk