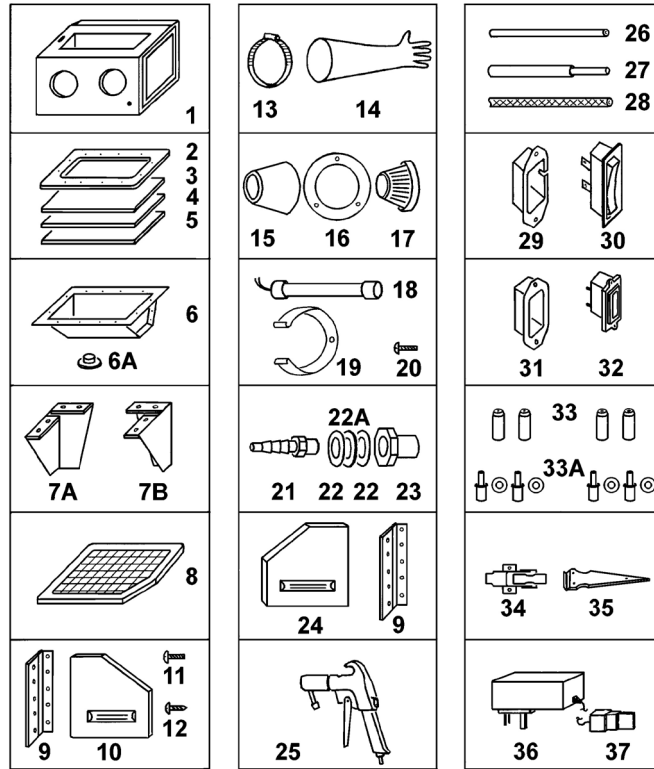


Parts Information:
Shot Blasting Cabinet Double Access 690 x 575 x 620mm
Model No: SB970



Item	Part No.	Description
1	SB970/01	Cabinet
2	SB970.V3-02	Frame
3	SB970.V3-03	Organic Glass
4	SB970/04	Glass
5	SB970.V3-04	Protective Film
6	SB970.V3-05	Base
6A	SB970.V3-05A	Plug
7A	SB970.V3-06A	Right Front/Left Rear Leg
7B	SB970.V3-06B	Left Front/Right Rear Leg
8	SB970/08	Mesh
9	SB970.V3-08	Hinge
10	SB970/10	Right Door
11	MSP510.S	Machine Screw Pan Head Phillips M5x10mm (Single)
12	SB970.V3-11	RD Head S/T Screw M4.8 x 16
13	SB970/13	Clamp
--	SB970.V3-12	Clamp (NOT SHOWN)
14	SSP41	Shot Blasting Gauntlets 585mm Cuffed Pair
15	SB951/C/24-1	Filter
16	SB972.V4-15	Pressing Ring
17	SB951/C/24	Air Cleaner
18	SB970.V3-15	Lamp
19	SB970/19	Clip

Item	Part No.	Description
20	SB970/20	Screw
21	SB970.V3-18	Connector
22	SB970/22	Repair Washer M12x30
22A	SB970/22A	Rubber Washer
23	SB970/23	Hose Fitting
24	SB970.V3-19A	Left Door
25	SB974.V3-23	Sanding Gun
26	SB951/C/15	Steel Suction Tube
27	SB951/C/13	Air Hose
28	SB951/C/14	Suction Hose (Plastic)
29	SB970/29	Switch Housing
30	SB970/30	Switch 16A 250V
31	SB970/31	Housing For Socket
--	SB970.V3-25	Socket Housing 'B' (NOT SHOWN)
32	SB970/32	Socket
33	SB973/35	Ceramic Nozzle (Pack 4)
33A	SB951/C/32	Jet And Seal
34	SB974.V3-21	Lock
35	SB970/35	Door Plate (Hinge)
36	SB951.V4-27.1	Mains Transformer
37	SB970/37	Plug
--	SB970/38	Sponge Foam (200x20x10) (NOT SHOWN)

NOTE: It is our policy to continually improve products and as such we reserve the right to alter data, specifications and component parts without prior notice.

IMPORTANT: No liability is accepted for incorrect use of product.

WARRANTY: Guarantee is 12 months from purchase date, proof of which will be required for any claim.