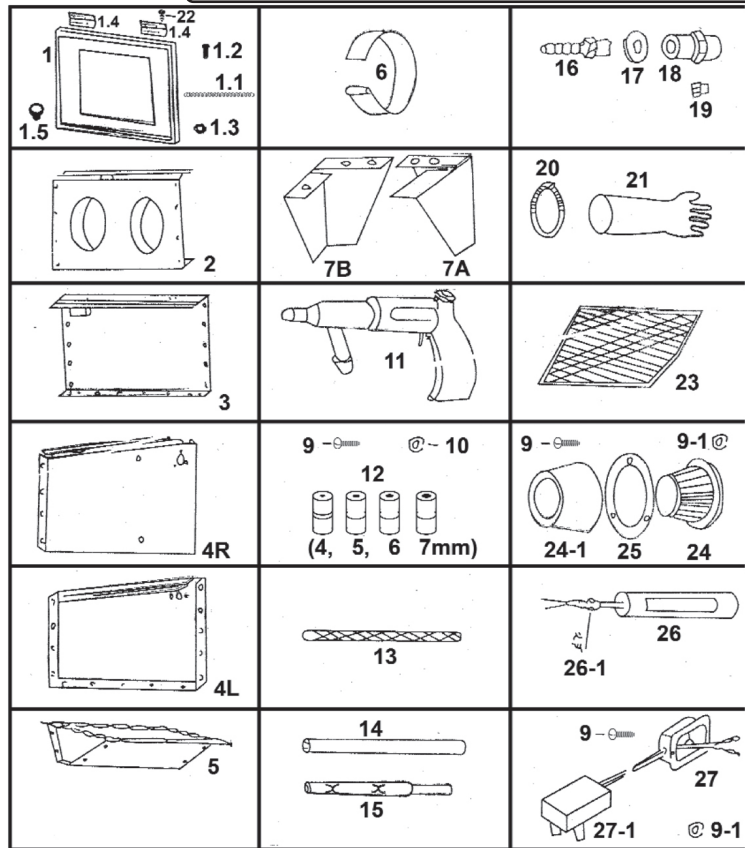




Parts Information:
Shot Blast Cabinet with Gun 640 x 490 x 490mm
Model No: SB951.V5



| Item | Part No. | Description |
|------|---------------|---|
| 1 | SB951.V4-01 | LID, TOP, TRANSPARENT |
| 1.1 | SB951.V4-1.1 | CHAIN, TOP LID |
| 1.2 | SB951.V4-1.2 | SCREW |
| 1.3 | SB951.V4-1.3 | NUT |
| 1.4 | SB951.V4-1.4 | HINGE |
| 1.5 | SB951.V4-1.5 | KNOB |
| 2 | SB951.V4-02 | FRONT PANEL |
| 3 | SB951.V4-03 | REAR PANEL |
| 4L | SB951.V4-04L | LEFT PANEL |
| 4R | SB951.V4-04R | RIGHT PANEL |
| 5 | SB951.V5-05 | BASE |
| 6 | SB951.V4-06 | LAMP CLAMP |
| 7A | SB951.V4-07A | FRONT LEG (LEFT) |
| 7B | SB951.V4-07B | FRONT LEG (RIGHT) |
| -- | MSP416.S | MACHINE SCREW PAN HEAD PHILLIPS M4x16mm |
| 9 | MSP612.S | MACHINE SCREW PAN HEAD PHILLIPS M6x12mm |
| 9.1 | SN4.S | STEEL NUT M4 ZINC DIN934 (SINGLE) |
| 10 | SB951.V4-10 | NUT |
| 11 | SB974.V3-23 | SANDING GUN |
| 12 | SB974.V3-23-1 | SANDING GUN NOZZLE (PK OF 4) |

| Item | Part No. | Description |
|------|---------------|-----------------------|
| 13 | SB951.V4-13 | AIR HOSE |
| 14 | SB951.V4-14 | SUCTION HOSE, PLASTIC |
| 15 | SB951.V4-15 | SUCTION HOSE, STEEL |
| 16 | SB972.V4-33 | CONNECTOR |
| 17 | SB951.V4-17 | WASHER |
| 18 | SB951.V4-18 | AIR SUPPLY FITTING |
| 19 | SB951.V4-19 | HOSE CLAMP 1/4" |
| 20 | SB951.V4-20 | GLOVE CLAMP |
| 21 | SB951.V4-21 | GLOVES |
| 22 | SB951.V4-22 | SCREW |
| 23 | SB951.V4-23 | SCREEN |
| 24 | SB970.V3-14 | FILTER |
| 24.1 | SB951.V4-24.1 | FILTER |
| 25 | SB972.V4-15 | PRESSING RING |
| 26 | SB951.V4-26 | WORKLIGHT |
| 26.1 | SB951.V4-26.1 | CABLE GRIP |
| 27 | SB951.V4-27 | SWITCH BOX |
| 27.1 | SB951.V4-27.1 | MAINS TRANSFORMER |
| -- | SB951.V4-28 | PVC MAIN SCREEN |
| -- | SB951.V4-29 | PVC WINDOW FRAME |
| -- | SB951.V4-30 | PROTECTIVE SHEET |

NOTE: It is our policy to continually improve products and as such we reserve the right to alter data, specifications and component parts without prior notice.

IMPORTANT: No liability is accepted for incorrect use of product.

WARRANTY: Guarantee is 12 months from purchase date, proof of which will be required for any claim.

Sealey Group, Kempson Way, Suffolk Business Park, Bury St Edmunds, Suffolk. IP32 7AR



01284 757500



01284 703534



sales@sealey.co.uk



www.sealey.co.uk