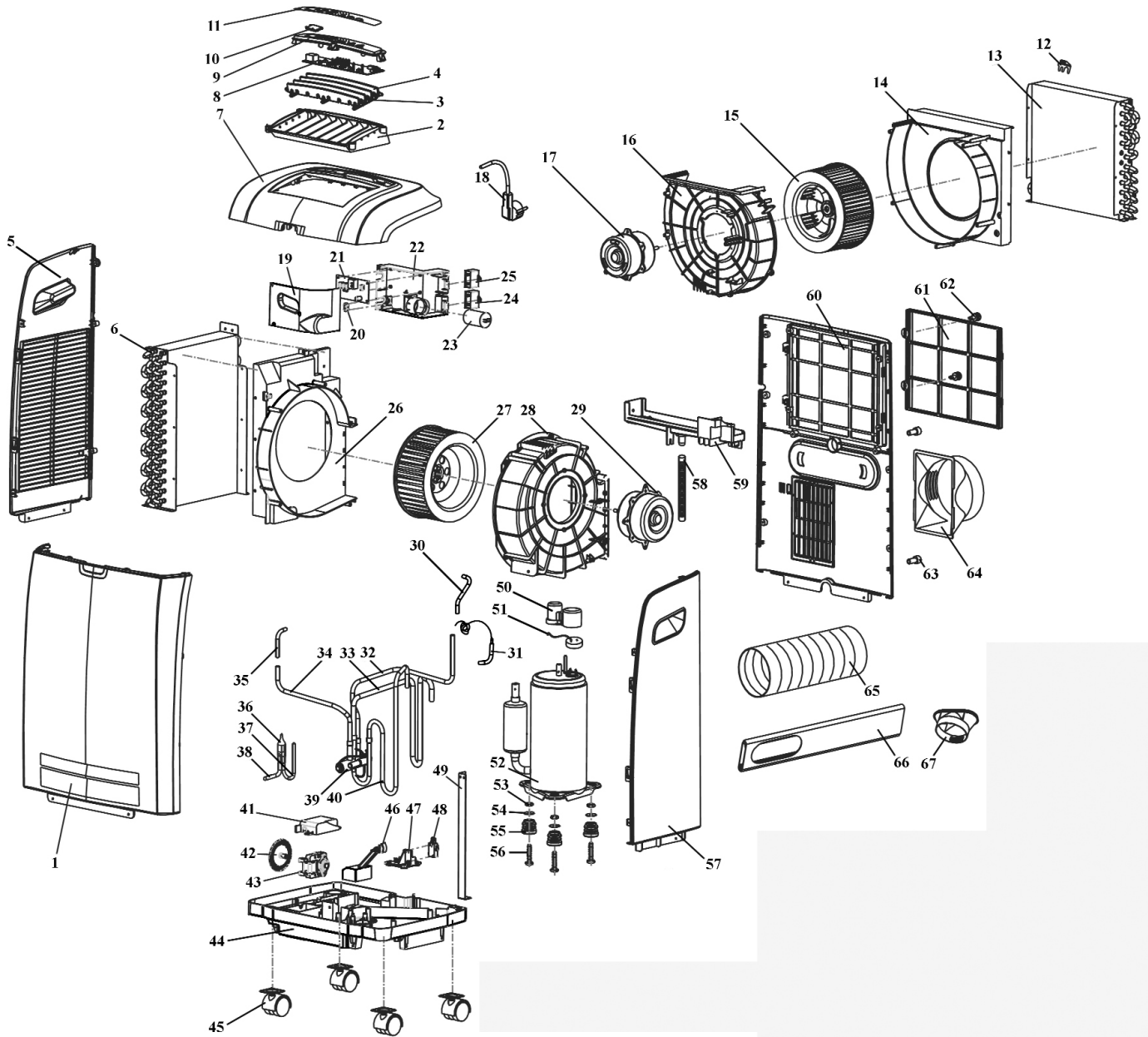




Parts Information:  
Air Conditioner/Dehumidifier/Heater  
9,000Btu/hr  
Model No: SAC9000.V3



**NOTE:** It is our policy to continually improve products and as such we reserve the right to alter data, specifications and component parts without prior notice.

**IMPORTANT:** No liability is accepted for incorrect use of product.

**WARRANTY:** Guarantee is 12 months from purchase date, proof of which will be required for any claim.

Sealey Group, Kempson Way, Suffolk Business Park, Bury St Edmunds, Suffolk. IP32 7AR



01284 757500



01284 703534



sales@sealey.co.uk



www.sealey.co.uk



Parts Information:  
**Air Conditioner/Dehumidifier/Heater**  
**9,000Btu/hr**  
**Model No: SAC9000.V3**

1	SAC9000.V3-01	FRONT PANEL
2	SAC9000.V3-02	FRAME FOR BLADE
3	SAC9000.V3-03	HORIZONTAL BLADE CONNECTOR
4	SAC9000.V3-04	HORIZONTAL BLADE
5	SAC9000.V3-05	SIDE PANEL, LEFT
6	SAC9000.V3-06	EVAPORATOR
7	SAC9000.V3-07	TOP PANEL
8	SAC9000.V3-08	CONTROL PCB
9	SAC9000.V3-09	SCREEN
10	SAC9000.V3-10	DISPLAY PANEL
11	SAC9000.V3-11	CONTROL PANEL
12	SAC9000.V3-12	TEMPERATURE SENSOR BRACKET
13	SAC9000.V3-13	EVAPORATOR
14	SAC9000.V3-14	INNER AIR DUCT (BACK)
15	SAC9000.V3-15	FAN FOR INNER DUCT
16	SAC9000.V3-16	INNER AIR DUCT (FRONT)
17	SAC9000.V3-17	MOTOR (FOR INNER DUCT)
18	SAC9000.V3-18	POWER CORD
19	SAC9000.V3-19	CONTROL BOX COVER
20	SAC9000.V3-20	CORD CLAMP
21	SAC9000.V3-21	MAIN PCB BOARD
22	SAC9000.V3-22	CONTROL BOX
23	SAC9000.V3-23	CAPACITOR
24	SAC9000.V3-24	MOTOR CAPACITOR (INNER)
25	SAC9000.V3-25	MOTOR CAPACITOR (OUTER)
26	SAC9000.V3-26	OUTLET DUCT (LEFT SIDE)
27	SAC9000.V3-27	FAN FOR OUTLET DUCT
28	SAC9000.V3-28	OUTLET DUCT (RIGHT SIDE)
29	SAC9000.V3-29	MOTOR FOR OUTLET DUCT
30	SAC9000.V3-30	EVAPORATOR OUTLET PIPE
31	SAC9000.V3-31	CAPILLARY PIPE
32	SAC9000.V3-32	FOUR-WAY VALVE PIPE
33	SAC9000.V3-33	SUCTION PIPE
34	SAC9000.V3-34	FOUR-WAY VALVE PIPE
35	SAC9000.V3-35	CONDENSOR PIPE
36	SAC9000.V3-36	THREE-WAY FILTER
37	SAC9000.V3-37	PIPE

Item	Part No.	Description
38	SAC9000.V3-38	CONDENSOR OUTLET PIPE
39	SAC9000.V3-39	FOUR-WAY VALVE
40	SAC9000.V3-40	DISCHARGE PIPE
41	SAC9000.V3-41	MOTOR EXTRACTING COVER
42	SAC9000.V3-42	MOTOR FAN
43	SAC9000.V3-43	MOTOR EXTRACTOR
44	SAC9000.V3-44	BOTTOM TRAY
45	SAC9000.V3-45	WHEEL,CASTOR (D:35xW:30xH:51)
46	SAC9000.V3-46	FLOAT
47	SAC9000.V3-47	FLOAT FRAME
48	SAC9000.V3-48	MICRO SWITCH
49	SAC9000.V3-49	UPRIGHT BRACKET
50	SAC9000.V3-50	COVER FOR CONDENSOR
51	SAC9000.V3-51	OVERLOAD PROTECTOR
52	SAC9000.V3-52	COMPRESSOR
53	SN6.S	STEEL NUT M6 ZINC DIN934 (SINGLE)
54	SAC9000.V3-54	WASHER (6mm)
55	SAC9000.V3-55	ANTI-VIBRACTION PAD
56	SAC9000.V3-56	BOLT FOR PAD
57	SAC9000.V3-57	SIDE PANEL, RIGHT
58	SAC9000.V3-58	CONNECTION PIPE
59	SAC9000.V3-59	WATER TRAY FOR EVAPORATOR
60	SAC9000.V3-60	BACK COVER
61	SAC9000.V3-61	FILTER FRAME ASS'Y
62	SAC9000.V3-62	KNOB
63	SAC9000.V3-63	DRAIN PLUG
64	SAC9000.V3-64	AIR HOSE DUCT
65	SAC9000.V3-65	AIR HOSE
66	SAC9000.V3-66	FLAT CONNECTOR
67	SAC9000.V3-67	WINDOW SLIDING DUCT
--	SAC9000.V3-68	ROOM TEMPERATURE SENSOR (NOT SHOWN)
--	SAC9000.V3-DH	DRAINAGE HOSE (NOT SHOWN)
--	SAC9000.V3-RC	REMOTE CONTROL (NOT SHOWN)
--	SAC9000.V3-L	LABEL (NOT SHOWN)

**NOTE:** It is our policy to continually improve products and as such we reserve the right to alter data, specifications and component parts without prior notice.

**IMPORTANT:** No liability is accepted for incorrect use of product.

**WARRANTY:** Guarantee is 12 months from purchase date, proof of which will be required for any claim.

**Sealey Group**, Kempson Way, Suffolk Business Park, Bury St Edmunds, Suffolk. IP32 7AR



01284 757500



01284 703534



sales@sealey.co.uk



www.sealey.co.uk