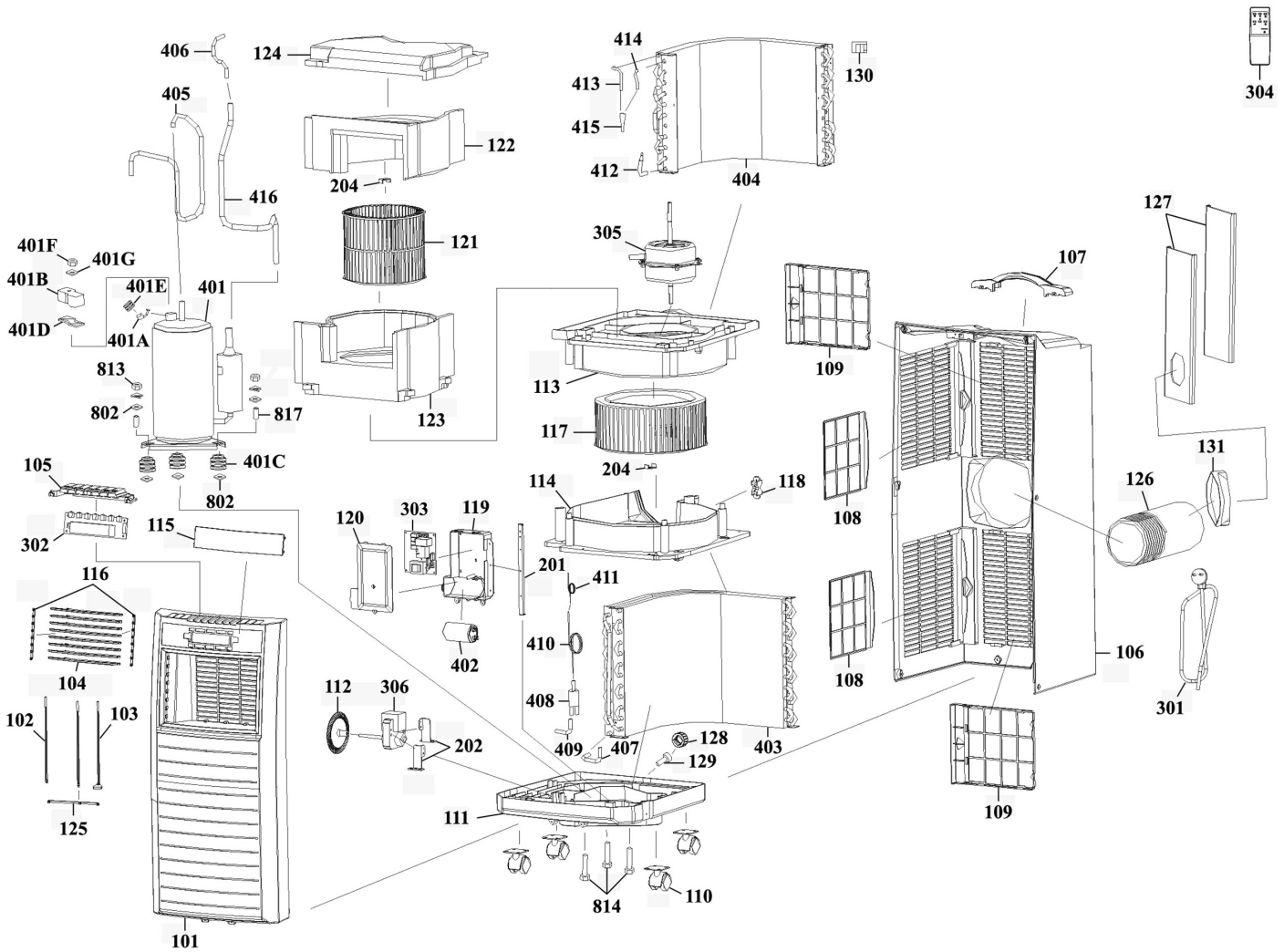




Parts Information:  
Air Conditioner/Dehumidifier/Heater  
10,000Btu/hr  
Model No: SAC9000.V2



**NOTE:** It is our policy to continually improve products and as such we reserve the right to alter data, specifications and component parts without prior notice.

**IMPORTANT:** No liability is accepted for incorrect use of product.

**WARRANTY:** Guarantee is 12 months from purchase date, proof of which will be required for any claim.

Sealey Group, Kempson Way, Suffolk Business Park, Bury St Edmunds, Suffolk. IP32 7AR



01284 757500



01284 703534



sales@sealey.co.uk



www.sealey.co.uk



Parts Information:  
**Air Conditioner/Dehumidifier/Heater**  
**10,000Btu/hr**  
**Model No: SAC9000.V2**

101	SAC9000V2.101	FRONT PANEL
102	SAC9000V2.102	VERTICAL BLADE (1)
103	SAC9000V2.103	VERTICAL BLADE (2)
104	SAC9000V2.104	HORIZONTAL BLADE
105	SAC9000V2.105	CONTROL PANEL
106	SAC9000V2.106	BACK PANEL
107	SAC9000V2.107	HANDLE
108	SAC9000V2.108	FILTER FRAME (SMALL)
109	SAC9000V2.109	FILTER FRAME (BIG)
110	SAC9000V2.110	WHEEL,CASTOR (D:30xW:26xH:44)
111	SAC9000V2.111	BASE TRAY
112	SAC9000V2.112	MOTOR WHEEL
113	SAC9000V2.113	MIDDLE COVER
114	SAC9000V2.114	LOWER COVER
115	SAC9000V2.115	SCREEN
116	SAC9000V2.116	HORIZONTAL BLADE CONNECTOR
117	SAC9000V2.117	FAN (LOWER)
118	SAC9000V2.118	POWER CORD GUIDE
119	SAC9000V2.119	ELECTRIC BOX
120	SAC9000V2.120	ELECTRIC BOX COVER
121	SAC9000V2.121	FAN (UPPER)
122	SAC9000V2.122	TOP COVER FOR UPPER FAN
123	SAC9000V2.123	BOTTOM COVER FOR UPPER FAN
124	SAC9000V2.124	TOP COVER
125	SAC9000V2.125	VERTICAL BLADE CONNECTOR
126	SAC9000V2.126	HOSE
127	SAC9000V2.127	SEAL PLATE
128	SAC9000V2.128	WATER PLUG
129	SAC9000V2.129	RUBBER PLUG
130	SAC9000V2.130	TEMPERATURE SENSOR BRACKET
131	SAC9000V2.131	HOSE CONNECTOR
201	SAC9000V2.201	MAIN BRACKET
202	SAC9000V2.202	MOTOR BRACKET
--	SAC9000V2.203	FILTER (NOT SHOWN)
204	SAC9000V2.204	FAN CLIP

Item	Part No.	Description
301	SAC9000V2.301	POWER CORD
302	SAC9000V2.302	DISPLAY PANEL
303	SAC9000V2.303	MAIN PCB BOARD
304	SAC9000V2.304	REMOTE CONTROL
305	SAC9000V2.305	MOTOR
306	SAC9000V2.306	MOTOR
401	SAC9000V2.401	COMPRESSOR
401A	SAC9000.401A	OVERLOAD PROTECTOR
401B	SAC9000.401B	PROTECTIVE COVER
401C	SAC9000.401C	ANTI-VIBRATION PAD
401D	SAC9000.401D	PROTECTIVE COVER PAD
401E	SAC9000.401E	SPRING
401F	SAC9000.401F	NUT
401G	SAC9000.401G	NUT PAD
402	SAC9000V2.402	CAPACITOR
403	SAC9000V2.403	CONDENSOR
404	SAC9000V2.404	EVAPORATOR
405	SAC9000V2.405	DISCHARGE PIPE
406	SAC9000V2.406	INLET PIPE FOR CONDENSOR
407	SAC9000V2.407	OUTLET PIPE FOR CONDENSOR
408	SAC9000V2.408	FILTER
409	SAC9000V2.409	GAS FILLING PIPE
410	SAC9000V2.410	CAPILLARY
411	SAC9000V2.411	CAPILLARY PIPE
412	SAC9000V2.412	INLET PIPE FOR EVAPORATOR
413	SAC9000V2.413	OUTLET PIPE (B) FOR EVAPORATOR
414	SAC9000V2.414	OUTLET PIPE (A) FOR EVAPORATOR
415	SAC9000V2.415	3-WAY PIPE
416	SAC9000V2.416	SUCTION PIPE
802	SAC9000V2.802	SCREW GASKET
813	SAC9000V2.813	NUT
814	SAC9000V2.814	HEX BOLT
817	SAC9000V2.817	ANTI-VIBRATION SLEEVE

**NOTE:** It is our policy to continually improve products and as such we reserve the right to alter data, specifications and component parts without prior notice.

**IMPORTANT:** No liability is accepted for incorrect use of product.

**WARRANTY:** Guarantee is 12 months from purchase date, proof of which will be required for any claim.

**Sealey Group**, Kempson Way, Suffolk Business Park, Bury St Edmunds, Suffolk. IP32 7AR



01284 757500



01284 703534



sales@sealey.co.uk



www.sealey.co.uk