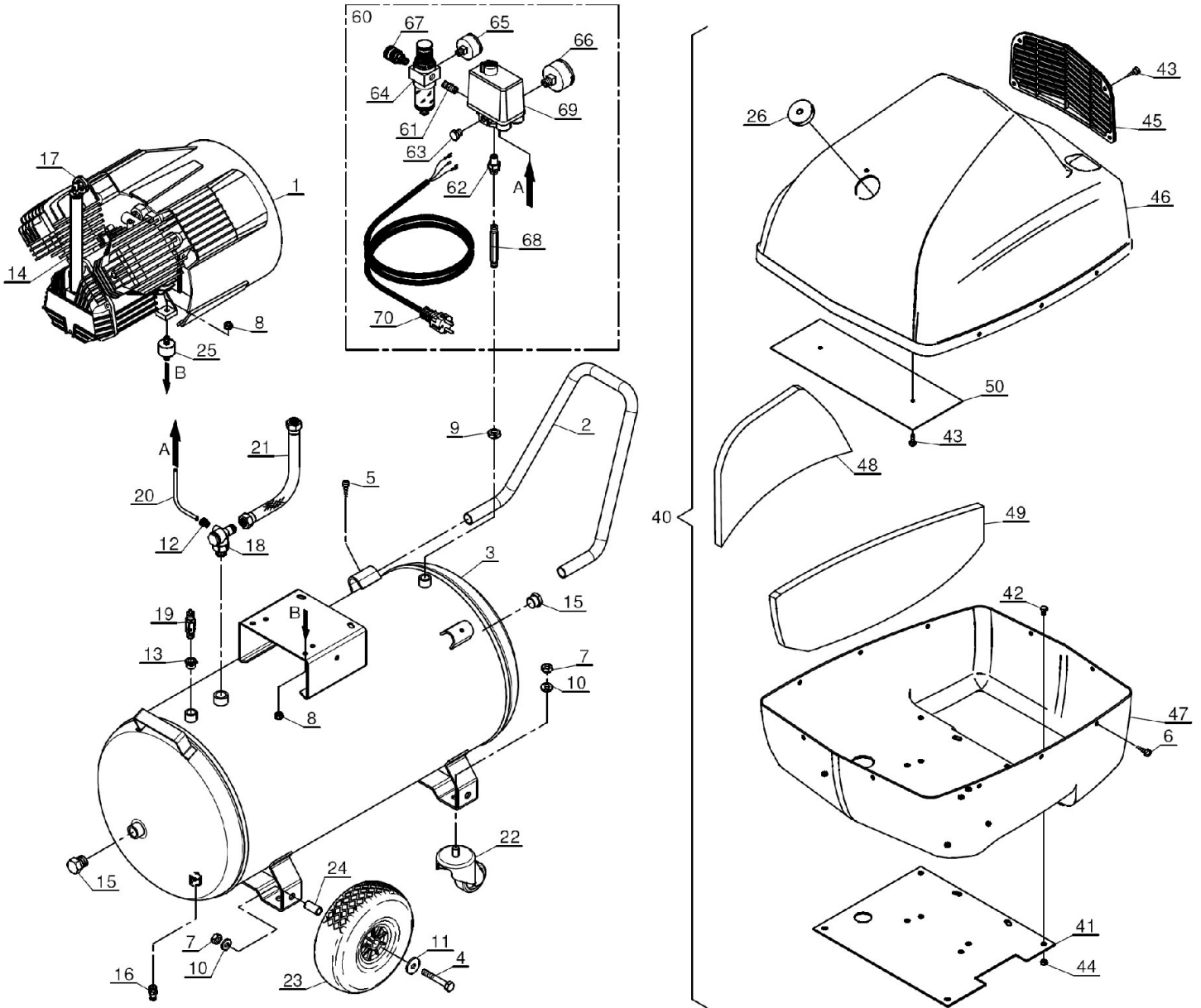




Parts Information:
Compressor 90ltr V-Twin Direct Drive
2.5hp Low Noise
Model No: SAC89025VLN



NOTE: It is our policy to continually improve products and as such we reserve the right to alter data, specifications and component parts without prior notice.

IMPORTANT: No liability is accepted for incorrect use of product.

WARRANTY: Guarantee is 12 months from purchase date, proof of which will be required for any claim.

Sealey Group, Kempson Way, Suffolk Business Park, Bury St Edmunds, Suffolk. IP32 7AR



01284 757500



01284 703534



sales@sealey.co.uk



www.sealey.co.uk



Parts Information:
**Compressor 90ltr V-Twin Direct Drive
2.5hp Low Noise
Model No: SAC89025VLN**

Item	Part No.	Description
1	SAC2027112000	PUMP UNIT
2	SAC5140250008	HANDLE
3	SAC5157050008	TANK 90ltr
4	HHB1280.S	HEX HEAD BOLT M12x80mm SINGLE
5	SAC7014180000	BOLT (M6x10)
6	SAC7014420000	SKT. HD BOLT M5X20
7	SN12.S	STEEL NUT M12 ZINC DIN934(SINGLE)
8	SN8.S	STEEL NUT M8 ZINC DIN934 (SINGLE)
9	SAC7023040000	LOCK NUT
10	FWM12.S	FLAT WASHER M12 SINGLE
11	RW1235.S	REPAIR WASHER M12x35 (SINGLE)
12	SAC7080140000	ELBOW 10mm MALE- OD:6mm PIPE
13	SAC7085190000	FITTING 3/8"-1/4" M/F
14	SAC7088000000	OIL PIPE EXTENSION 1/2"BSP MALE L;300mm
15	SAC7090030000	PLUG 1/2
16	SAC7130160000	DRAIN VALVE 3/8"BSP MALE
17	SAC7181210000	END PLUG
18	SAC7190090000	NON-RETURN VALVE
19	SAC7192090000	SAFETY VALVE 10bar 3/8"BSP MALE
20	SAC7230010000	RISLAN HOSE (SOLD PER 1 METER)
21	SAC7231800000	RUBBER HOSE
22	SAC7260360000	WHEEL,CASTOR(63x7x22x83)
23	SAC7260470000	WHEEL,FIXED (196x20x52)
24	SAC7330010000	WHEEL SPACER

Item	Part No.	Description
25	SAC7364430000	SHOCK ABSORBER
26	SAC7501160000	RUBBER GROMMET
40	SAC4039100000	PLASTIC SHROUD KIT
41	SAC5011910008	LOWER COVER BASE
42	SAC7011090000	SCREW (M8x20)
43	SAC7014420000	SKT. HD BOLT M5X20
44	SN8.S	STEEL NUT M8 ZINC DIN934 (SINGLE)
45	SAC7152620000	UPPER COVER GRILLE
46	SAC7152640000	UPPER COVER
47	SAC7152650000	LOWER COVER
48	SAC7210940000	SOUNDPROF KIT
49	SAC7213740000	SOUNDPROF KIT
50	SAC7515010000	SEPARATOR
60	SAC4057640000	PRESSURE SWITCH KIT 20Amp 12Bar 175Psi
61	SAC7081090000	UNION 1/4"BSP M-1/4"BSP M L:25mm
62	SAC7082040000	JOINT
63	SAC7090090000	PLUG 1/4"
64	SAC7100380000	PRESSURE REDUCER
65	SAC7110240000	PRESSURE GAUGE 240psi, 43mm OD, REAR FIT
66	SAC9700001789	PRESSURE GAUGE 230 psi, 50mm OD, rear fi
67	SAC7130570000	COUPLING BODY 1/4"BSP MALE
68	SAC7232110000	EXTENSION
69	SAC7250800000	PRESSURE SWITCH 20Amp 12Bar 175Psi
70	SAC7329010000	POWER CABLE

NOTE: It is our policy to continually improve products and as such we reserve the right to alter data, specifications and component parts without prior notice.

IMPORTANT: No liability is accepted for incorrect use of product.

WARRANTY: Guarantee is 12 months from purchase date, proof of which will be required for any claim.

Sealey Group, Kempson Way, Suffolk Business Park, Bury St Edmunds, Suffolk. IP32 7AR



01284 757500



01284 703534



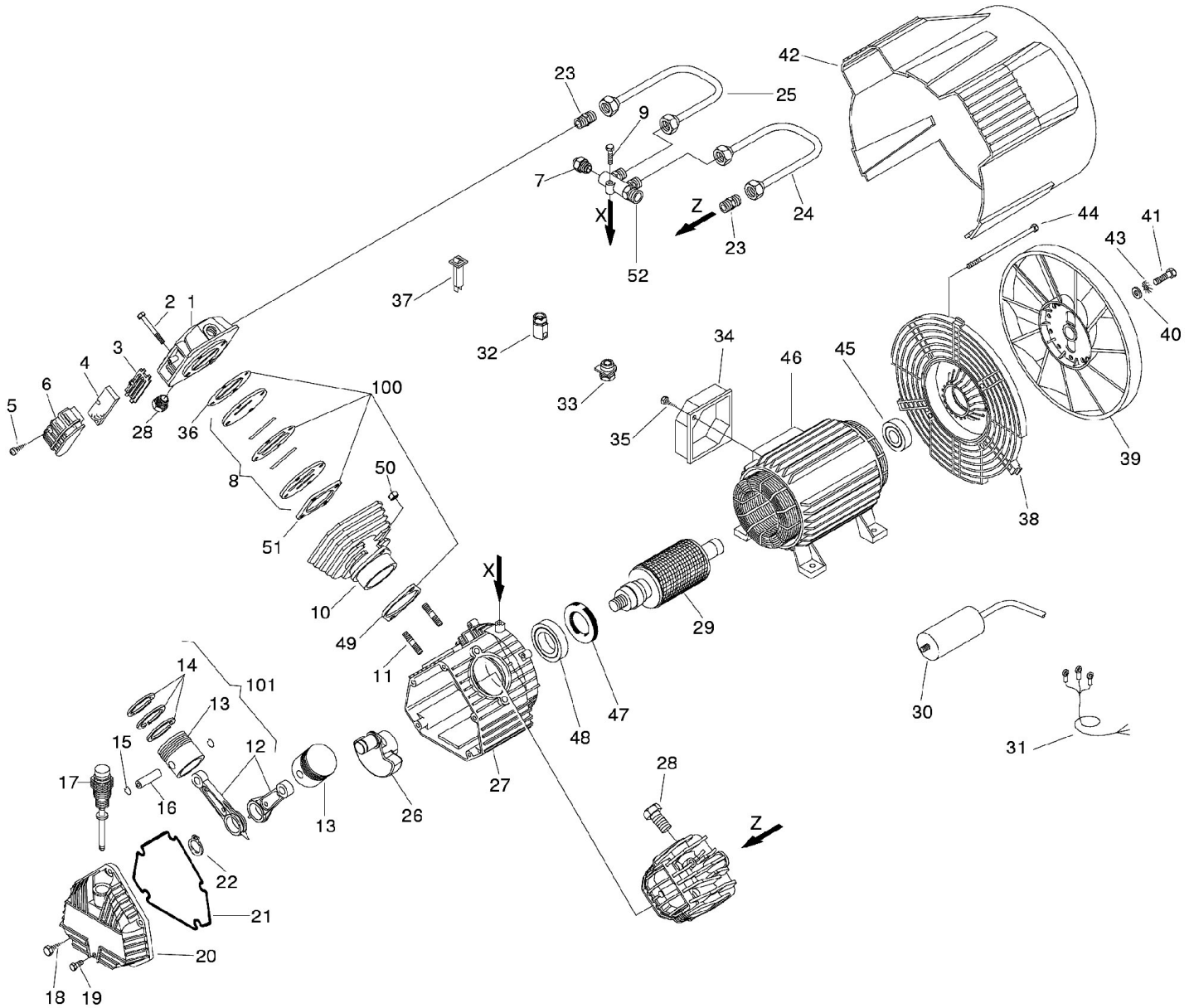
sales@sealey.co.uk



www.sealey.co.uk



Parts Information:
Compressor 90ltr V-Twin Direct Drive
2.5hp Low Noise
Model No: SAC89025VLN



NOTE: It is our policy to continually improve products and as such we reserve the right to alter data, specifications and component parts without prior notice.

IMPORTANT: No liability is accepted for incorrect use of product.

WARRANTY: Guarantee is 12 months from purchase date, proof of which will be required for any claim.

Sealey Group, Kempson Way, Suffolk Business Park, Bury St Edmunds, Suffolk. IP32 7AR



01284 757500



01284 703534



sales@sealey.co.uk



www.sealey.co.uk



Parts Information:
**Compressor 90ltr V-Twin Direct Drive
2.5hp Low Noise
Model No: SAC89025VLN**

Item	Part No.	Description
1	SAC7570090000	HEAD
2	SS640.S	HEX HEAD SET SCREW M6x40mm SINGLE
3	SAC7458340000	PLATE
4	SAC7210010000	FILTER ELEMENT
5	SAC7012010000	RD HEAD S/T SCREW M3.8 X 18
6	SAC7210180000	INTAKE FILTER
--	SAC7210640000	INTAKE FILTER (NOT SHOWN)
7	SAC7196000000	VALVE
8	SAC7459490000	VALVE PLATE
9	SAC7010120000	SKT. HD BOLT M6X25
10	SAC5060160008	CYLINDER
11	SAC7015020000	STUD BOLT
12	SAC5050160008	CON ROD
13	SAC7220050000	PISTON
14	SAC4080030000	PISTON RING SET
15	SAC7041030000	SEEGER RING
16	SAC7050030000	PISTON PIN
17	SAC7181060000	DIPSTICK
18	SFS620.S	HEX HEAD FLANGE BOLT M6x20 SINGLE
19	SS616.S	HEX HEAD SET SCREW M6x16mm SINGLE
20	SAC7650010000	CRANKCASE COVER
21	SAC7078440000	CRANKCASE COVER SEAL
22	SAC7040040000	RETAINING RING
23	SAC7081100000	JOINT
24	SAC7237010000	PIPE
25	SAC7237020000	PIPE
26	SAC5041390008	CRANKSHAFT
27	SAC5070180008	CRANKCASE

Item	Part No.	Description
28	SAC7090080000	PLUG
29	SAC4280860000	ROTOR
30	SAC7310410000	CAPACITOR 50uf 400/450 50/60hz 95x55
31	SAC7329900000	CABLE
32	SAC7501050000	CABLE GRIP
33	SAC7501060000	CABLE GRIP
34	SAC7382340000	MOTOR SWITCH COVER
35	SAC7012020000	SCREW (3.9x12.7)
36	SAC7078580000	GASKET HEAD/VALVE PLATE
37	SAC7410390000	OVERLOAD SWITCH
38	SAC7640010000	FAN COVER
39	SAC7200340000	FAN
40	SAC7038020000	WASHER
41	SAC7011090000	SCREW (M8x20)
42	SAC7150370000	HOUSING
43	SAC7031010000	TOOTHED WASHER
44	SAC7015100000	TENSION ROD
45	B/6204-2RS	BEARING 6204-2RS
46	SAC4011450000	MOTOR
47	SAC7071160000	OIL SEAL (40x62x10)
48	B/6007ZZ	BEARING 6007ZZ
49	SAC7078150000	GASKET
50	SN8.S	STEEL NUT M8 ZINC DIN934 (SINGLE)
51	SAC7078160000	CYLINDER VALVE PLATE GASKET
52	SAC7089950000	MANIFOLD
100	SAC4082080000	GASKET SET
101	SAC4191040000	CON ROD/PISTON SET

NOTE: It is our policy to continually improve products and as such we reserve the right to alter data, specifications and component parts without prior notice.

IMPORTANT: No liability is accepted for incorrect use of product.

WARRANTY: Guarantee is 12 months from purchase date, proof of which will be required for any claim.

Sealey Group, Kempson Way, Suffolk Business Park, Bury St Edmunds, Suffolk. IP32 7AR



01284 757500



01284 703534



sales@sealey.co.uk



www.sealey.co.uk