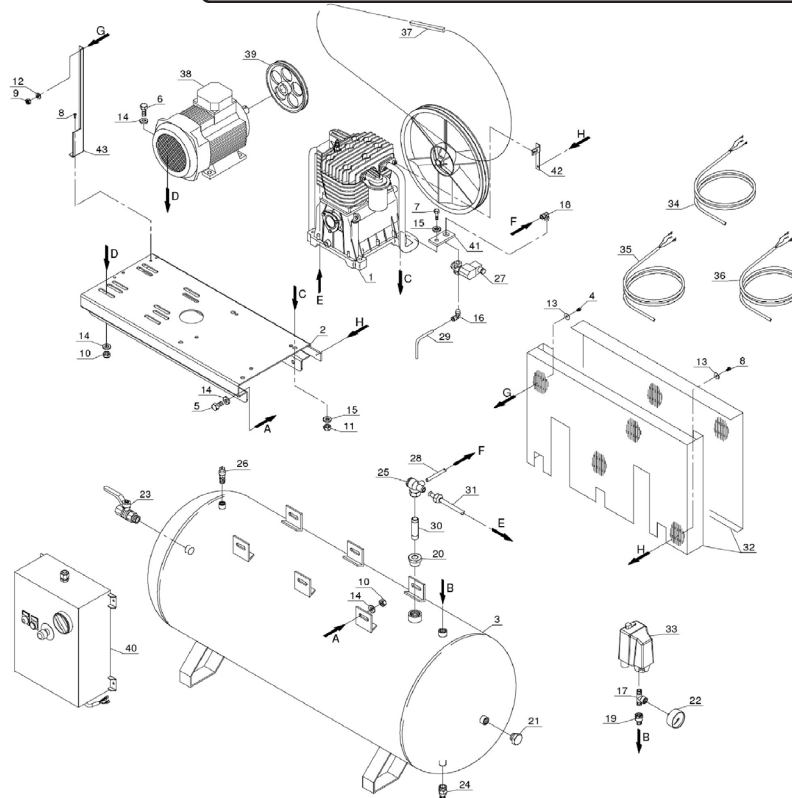




Parts Information:
Compressor 270ltr Belt Drive 10hp 3ph
2-Stage with Cast Cylinders
Model No: SAC62710B



Item	Part No.	Description
1	SAC3020600000	PUMP UNIT
2	SAC5010970008	BASE PLATE
3	SAC5153030008	TANK 270ltr
4	SAC7010010000	BOLT (M6x16)
5	SAC7011160000	BOLT M10X30
6	SS1035.S	HEX HEAD SET SCREW M10x35mm SINGLE
7	HHB1280.S	HEX HEAD BOLT M12x80mm SINGLE
8	MSP512.S	MACHINE SCREW PAN HEAD PHILLIPS M5x12mm
9	SN6.S	STEEL NUT M6 ZINC DIN934 (SINGLE)
10	SN10.S	STEEL NUT M10 ZINC DIN934(SINGLE)
11	SN12.S	STEEL NUT M12 ZINC DIN934(SINGLE)
12	FWM6.S	FLAT WASHER M6 SINGLE
13	RW625.S	REPAIR WASHER M6x25 (SINGLE)
14	RW1030.S	REPAIR WASHER M10x30 (SINGLE)
15	RW1235.S	REPAIR WASHER M12x35 (SINGLE)
16	SAC7080970000	ELBOW 1/4"BSP MALE-8mm PIPE
17	SAC7082530000	T-JOINT 1/4"BSP MALE X2-1/4"BSP FEMALE
18	SAC7084240000	ELBOW 1/4"BSP MALE-6mm PIPE
19	SAC7085080000	ADAPTOR 3/4"BSP MALE-1/4"BSP FEMALE
20	SAC7085440000	FITTING 1"-3/4" M/F
21	SAC7090030000	PLUG 1/2
22	SAC7110060000	GAUGE 230psi, 60mm OD, REAR FITTING

Item	Part No.	Description
23	SAC7130150000	BALL VALVE 1/2"BSP FEMALE-1/2"BSP MALE
24	SAC7130160000	DRAIN VALVE 3/8"BSP MALE
25	SAC7190110000	NON RETURN VALVE
26	SAC7192090000	SAFETY VALVE 10bar 3/8"BSP MALE
27	SAC7194450000	SOLENOID VALVE
28	SAC7230010000	RISLAN HOSE (SOLD PER 1 METER)
29	SAC7230080000	HOSE
30	SAC7232060000	UNION 3/4"MALE X2 L;150mm
31	SAC7237590000	INFEED HOSE
32	SAC4170140000	BELT GUARD KIT
33	SAC7250360000	PRESSURE SWITCH 20Amp
34	SAC7327970000	POWER CABLE (MOTOR)
35	MC2CX1.0	MAINS CABLE BLK, 2 CORE, 1.0MM2
36	MC3CX1.0R	MAINS CABLE BLK, 3 CORE, (RUBBER) 1.0MM2
37	V/A79	V-BELT (ID-2000) A79
38	SAC7386210000	MOTOR
39	SAC7407950000	MOTOR PULLEY - 200MM TWIN BELT (STANDARD)
40	SAC7430700000	CONTROL BOX
41	SAC7458490000	SOLENOID VALVE SUPPORT
42	SAC7458500000	BELT GUARD SUPPORT
43	SAC7458700000	BELT GUARD SUPPORT

NOTE: It is our policy to continually improve products and as such we reserve the right to alter data, specifications and component parts without prior notice.

IMPORTANT: No liability is accepted for incorrect use of product.

WARRANTY: Guarantee is 12 months from purchase date, proof of which will be required for any claim.

Sealey Group, Kempson Way, Suffolk Business Park, Bury St Edmunds, Suffolk. IP32 7AR



01284 757500



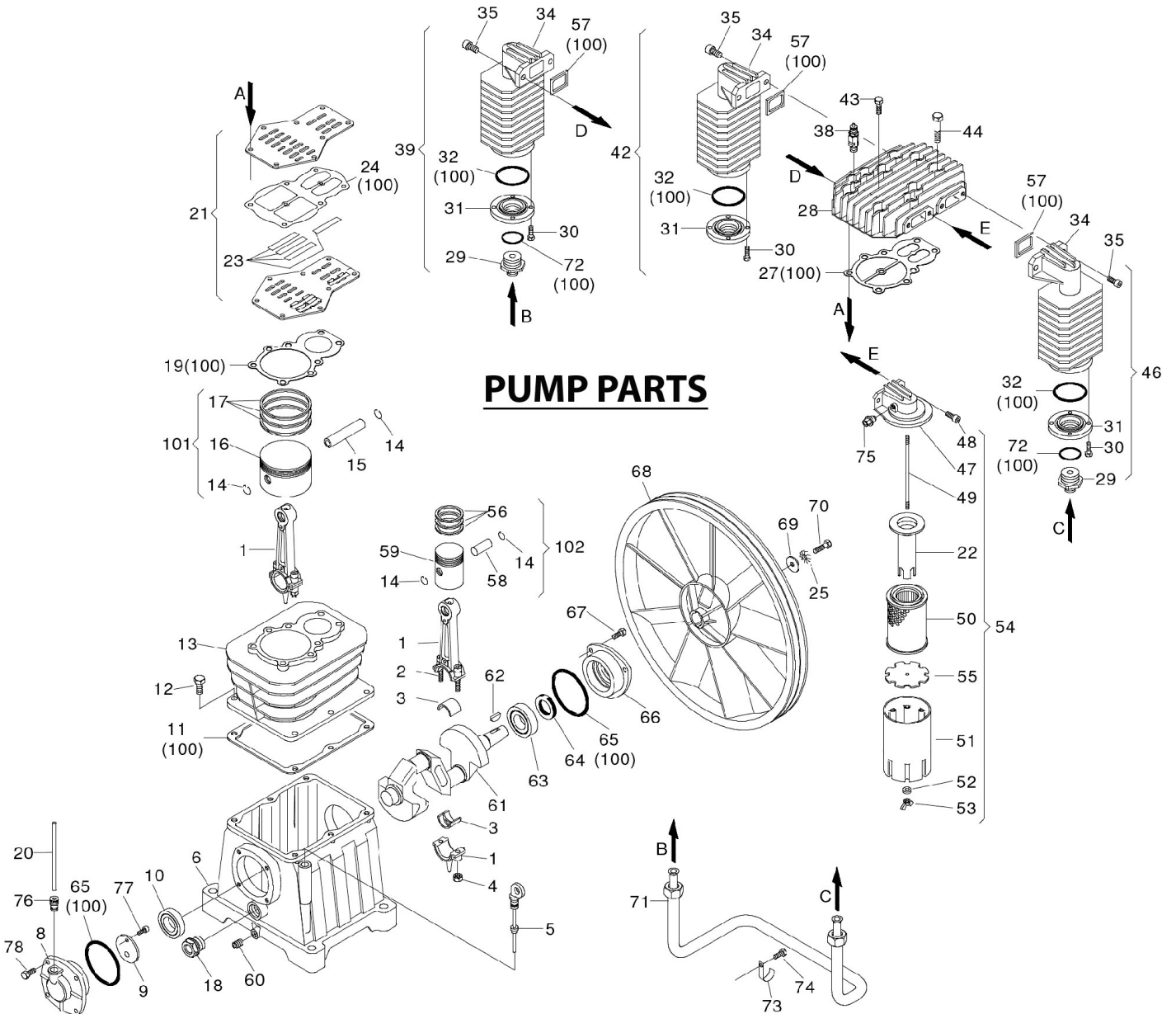
01284 703534



sales@sealey.co.uk



www.sealey.co.uk



NOTE: It is our policy to continually improve products and as such we reserve the right to alter data, specifications and component parts without prior notice.

IMPORTANT: No liability is accepted for incorrect use of product.

WARRANTY: Guarantee is 12 months from purchase date, proof of which will be required for any claim.



Parts Information:
**Compressor 270ltr Belt Drive 10hp 3ph
 2-Stage with Cast Cylinders
 Model No: SAC62710B**

Item	Part No.	Description
1	SAC4190230008	CON-ROD
2	SS825.S	HEX HEAD SET SCREW M8x25mm SINGLE
3	SAC7062110000	BUSHING
4	SAC7022040000	LOCK NUT
5	SAC7181110000	DIPSTICK
6	SAC5071030008	CRANKCASE
8	SAC5082070008	FRONT COVER
9	SAC7458600000	DIAPHRAGM
10	B/6207	BEARING 6207
11	SAC7079280000	BASE GASKET
12	SAC7011270000	SCREW (M12x30)
13	SAC5060710008	CYLINDER
14	SAC7040070000	SEEGER RING
15	SAC7050160000	PISTON PIN
16	SAC7220150000	PISTON (LOW)
17	SAC4080160000	PISTON RING SET (LOW)
18	SAC7180060000	OIL SIGHT GLASS
19	SAC7079270000	CYLINDER GASKET
20	SAC7230040000	RILSAN HOSE
21	SAC7459610000	VALVE PLATE
22	SAC7210300000	SLEEVE
23	SAC7199140000	VALVE REED
24	SAC7079680000	VALVE PLATE GASKET
25	SAC7031050000	WASHER
26	SAC7459610000	VALVE PLATE
27	SAC7079260000	HEAD GASKET
28	SAC5030550008	HEAD
29	SAC7081220000	ADAPTOR
30	SAC7011040000	SCREW (M6x20)
31	SAC5131020008	REDUCER
32	SAC7070140000	O-RING
34	SAC5130090008	AFTERCOOLER
35	SCB1025.S	SOCKET HEAD CAP SCREW M10x25
38	SAC7192350000	SAFETY VALVE 1/4"BSP MALE 6bar
39	SAC4251000000	AFTERCOOLER GROUP
42	SAC4251010000	AFTERCOOLER GROUP
43	SAC7011010000	SCREW (M6x50)

Item	Part No.	Description
44	SAC7011490000	HEAD BOLT
46	SAC4251000000	AFTERCOOLER GROUP
47	SAC5130070008	FILTER COVER
48	SAC7010050000	SCREW (M8x20)
49	SAC7015260000	TENSION ROD
50	SAC7210320000	FILTER CARTRIDGE
51	SAC7210310000	FILTER CASING
52	SAC7031030000	WASHER
53	SN6.S	STEEL NUT M6 ZINC DIN934 (SINGLE)
54	SAC4250040000	FILTER GROUP
55	SAC7210280000	FILTER ELEMENT
56	SAC4080170000	PISTON RING SET (HIGH)
57	SAC7079250000	GASKET
58	SAC7050170000	PISTON PIN
59	SAC7220160000	PISTON (HIGH)
60	SAC7090240000	PLUG 3/8"
61	SAC5041060008	CRANKSHAFT
62	SAC7051530000	KEY (8x1)
63	B/6308	BEARING 6308
64	SAC7071140000	OIL SEAL
65	SAC7070150000	O-RING
66	SAC5082080008	REAR COVER
67	SAC7011090000	SCREW (M8x20)
68	SAC5170010008	FLYWHEEL
69	SAC7030300000	THICK WASHER
70	SAC7011160000	BOLT M10X30
71	SAC7230730000	DELIVERY TUBE
72	SAC7079090000	WASHER LARGE, THIN RIM
73	SAC5160940008	CLAMP
74	SAC7011080000	SCREW (M8x16)
75	SAC7084270000	FITTING
76	SAC7084220000	FITTING
77	SAC7013060000	SCREW (4x8)
78	SAC7011090000	SCREW (M8x20)
100	SAC4082570000	GASKET KIT
101	SAC4291120000	PISTON GROUP (LOW)
102	SAC4291130000	PISTON GROUP (HIGH)

NOTE: It is our policy to continually improve products and as such we reserve the right to alter data, specifications and component parts without prior notice.

IMPORTANT: No liability is accepted for incorrect use of product.

WARRANTY: Guarantee is 12 months from purchase date, proof of which will be required for any claim.

Sealey Group, Kempson Way, Suffolk Business Park, Bury St Edmunds, Suffolk. IP32 7AR



01284 757500



01284 703534



sales@sealey.co.uk



www.sealey.co.uk