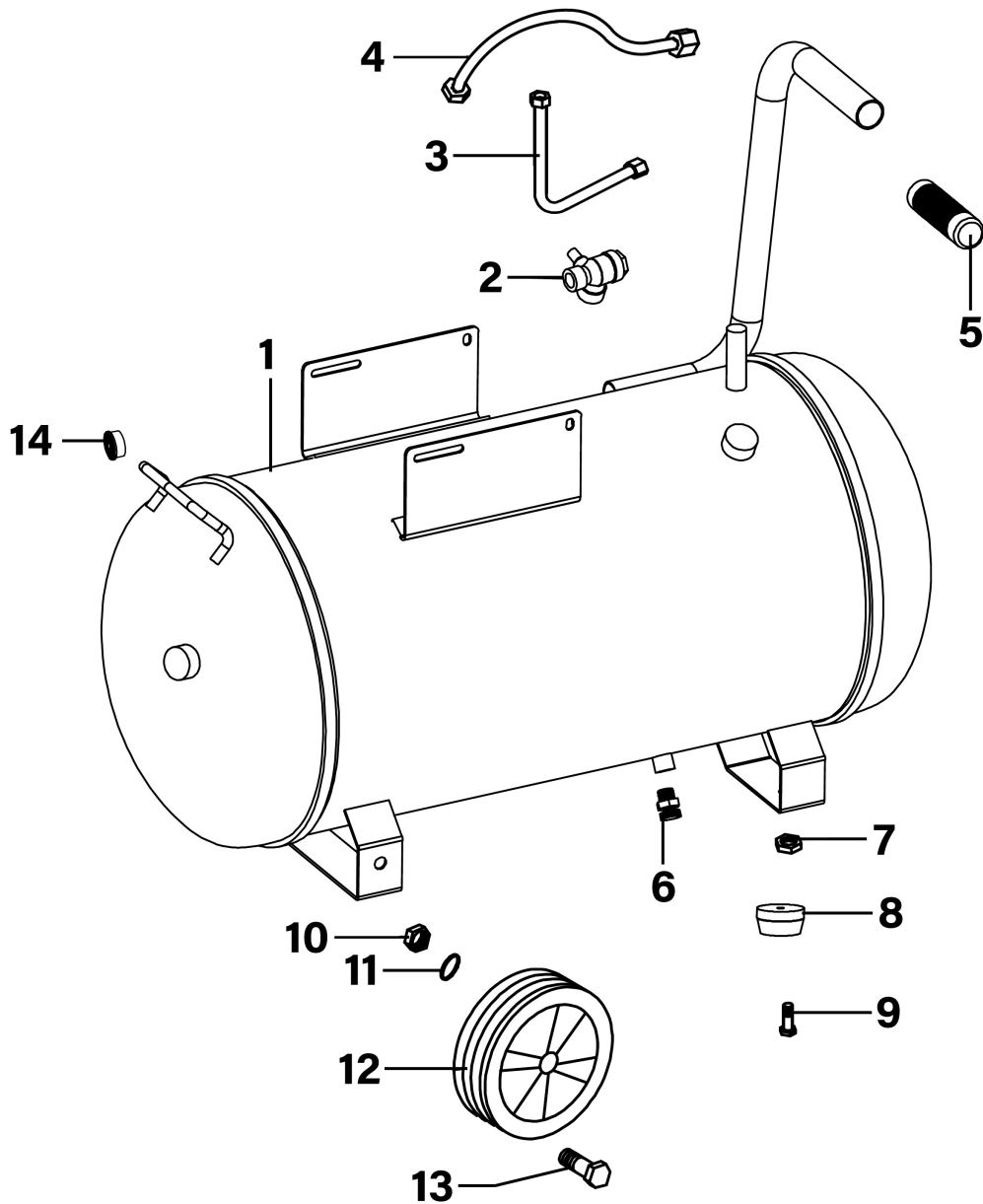


Parts Information:  
**Air Compressor 24L Direct Drive 2hp &  
 Air Compressor 50L Direct Drive 2hp  
 Model No: SAC2420A.V2 &  
 SAC5020A.V2**



Item	Part No.	Description	Qty
1	SAC2420A-V2-01	Tank 24ltr ( <b>SAC2420A ONLY</b> )	1
1	SAC5020A-V2-01	Tank 50ltr ( <b>SAC5020A ONLY</b> )	1
2	SAC5020A-V2-02	Check Valve	1
3	SAC5020A-V2-03	Exhaust Pipe Ø10	1
4	SAC5020A-V2-04	Unloading Pipe Ø6	1
5	SAC5020A-V2-05	Handle Grip	1
6	SAC5020A-V2-06	Drain Valve	1
7	FN8.S	Flange Nut Serrated M8 Zinc	1
8	SAC2420A-V2-08	Rubber Foot ( <b>SAC2420A ONLY</b> )	1

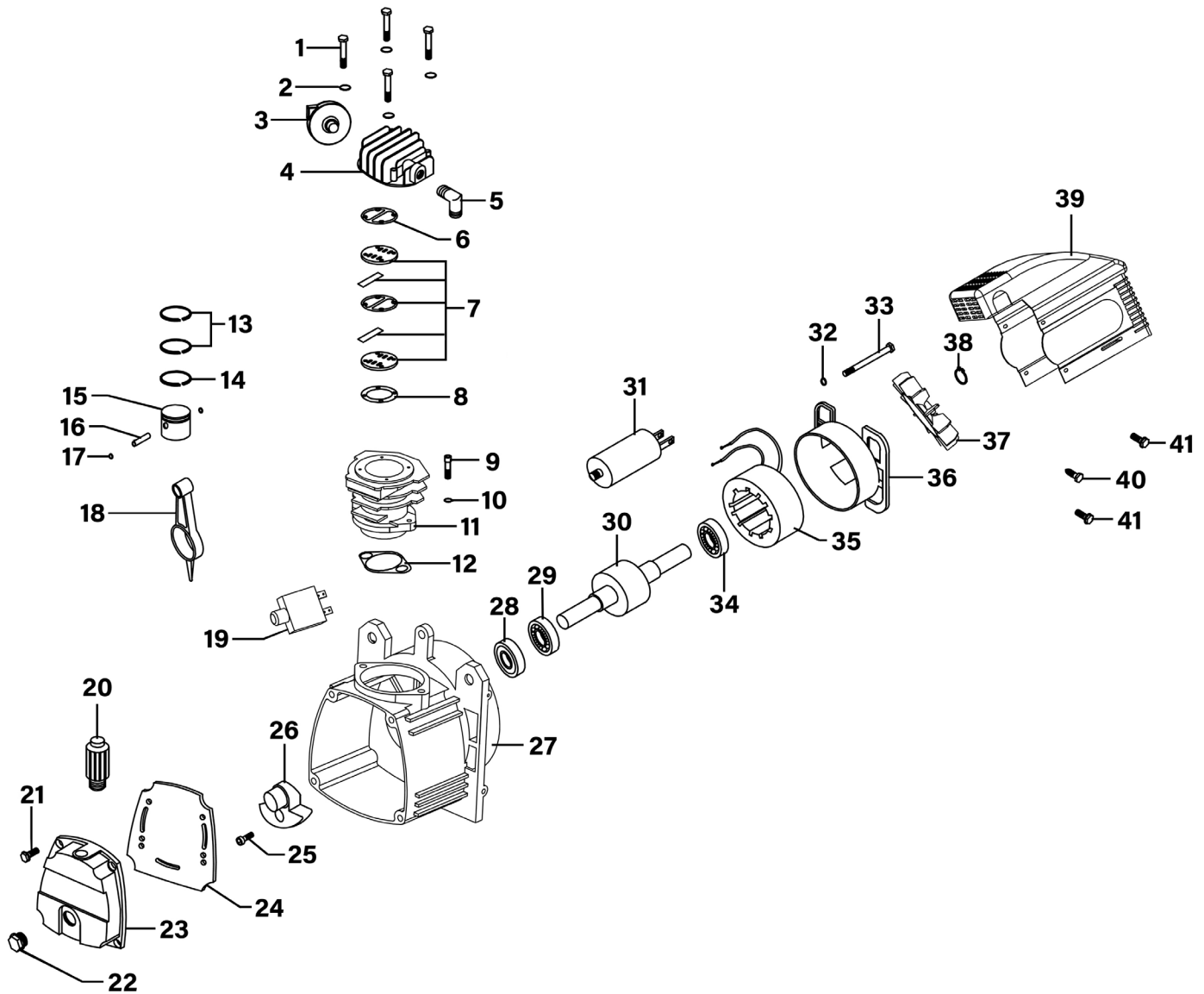
Item	Part No.	Description	Qty
8	SAC5020A-V2-08	Rubber Foot ( <b>SAC5020A ONLY</b> )	1
9	SS825.S	Hex Head Set Screw M8 X 25 Zinc	1
10	SN10.S	Steel Nut M10 Zinc	2
11	FWM10.S	Flat Washer M10 Zinc	2
12	SAC2420A-V2-12	Fixed Wheel 5" ( <b>SAC2420A ONLY</b> )	2
12	SAC5020A-V2-12	Fixed Wheel 6" ( <b>SAC5020A ONLY</b> )	2
13	SAC5020A-V2-13	Wheel Bolt M10	2
14	SAC5020A-V2-14	Rubber Block	1

**NOTE:** It is our policy to continually improve products and as such we reserve the right to alter data, specifications and component parts without prior notice. There may be alternative versions of this product, please contact us should you require this information.

**IMPORTANT:** No liability is accepted for incorrect use of product. Spare parts must be fitted by a competent person

**WARRANTY:** Guarantee is 12 months from purchase date, proof of which will be required for any claim.

Parts Information:  
**Air Compressor 24L Direct Drive 2hp &  
 Air Compressor 50L Direct Drive 2hp  
 Model No: SAC2420A.V2 &  
 SAC5020A.V2**



Item	Part No.	Description	Qty
1	SFS630.S	Hex Head Flange Bolt M6 X 30 Zinc	4
2	SWM6.S	Spring Washer M6 Zinc	4
3	SAC5020A-V2-P03	Air Filter	1
4	SAC5020A-V2-P04	Cylinder Head	1
5	SAC5020A-V2-P05	Exhaust Elbow	1
6	SAC5020A-V2-P06	Cylinder Head Gasket	1
7	SAC5020A-V2-P07	Valve Assembly	1
8	SAC5020A-V2-P08	Valve Gasket	1
9	SCB620.S	Socket Cap Bolt M6 x 20mm	2
10	SWM6.S	Spring Washer M6 Zinc	2
11	SAC5020A-V2-P11	Cylinder	1

Item	Part No.	Description	Qty
12	SAC5020A-V2-P12	Cylinder Gasket	1
13	SAC5020A-V2-P13	Piston Ring	2
14	SAC5020A-V2-P14	Piston/Oil Ring	1
15	SAC5020A-V2-P15	Piston	1
16	SAC5020A-V2-P16	Piston Pin	1
17	SAC5020A-V2-P17	Piston Pin Clip Ø12	2
18	SAC5020A-V2-P18	Connecting Rod	1
19	SAC5020A-V2-P19	Trip Switch	1
20	SAC5020A-V2-P20	Air Breather M16x1.5	1
21	SFS516.S	Hex Head Flange Bolt M5 X 16 Zinc	4
22	SAC5020A-V2-P22	Oil Sight Glass	1

**NOTE:** It is our policy to continually improve products and as such we reserve the right to alter data, specifications and component parts without prior notice. There may be alternative versions of this product, please contact us should you require this information.

**IMPORTANT:** No liability is accepted for incorrect use of product. Spare parts must be fitted by a competent person

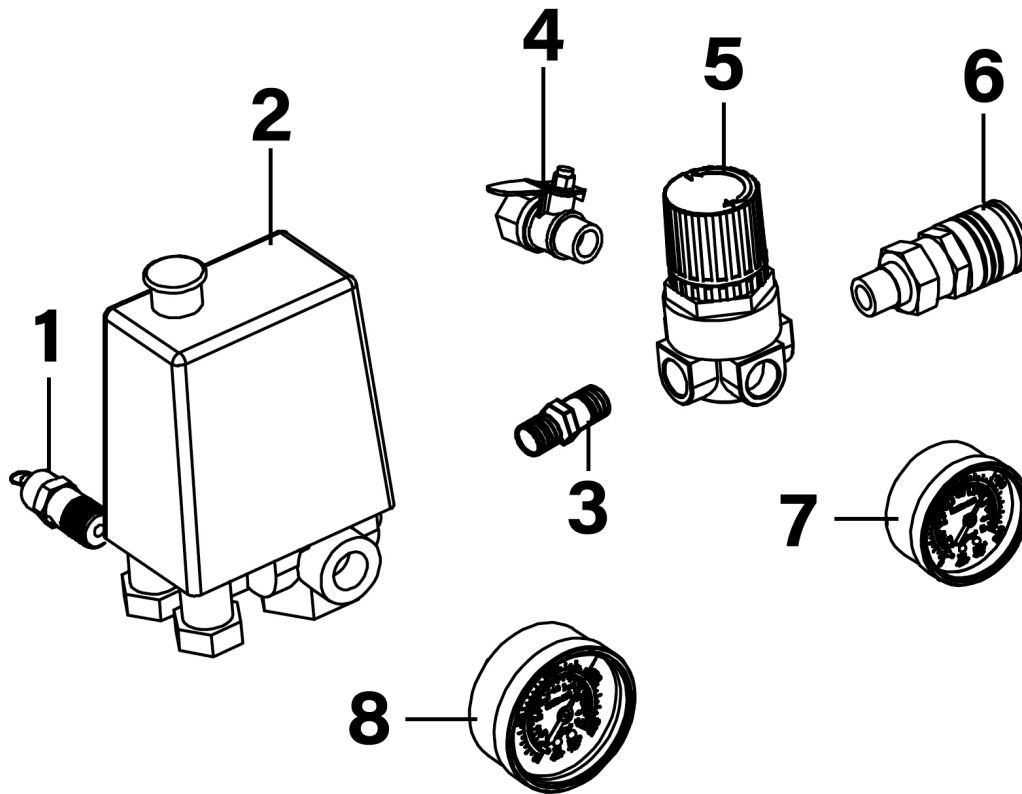
**WARRANTY:** Guarantee is 12 months from purchase date, proof of which will be required for any claim.



Parts Information:  
**Air Compressor 24L Direct Drive 2hp &  
 Air Compressor 50L Direct Drive 2hp  
 Model No: SAC2420A.V2 &  
 SAC5020A.V2**

Item	Part No.	Description	Qty
23	SAC5020A-V2-P23	Crankcase Cover	1
24	SAC5020A-V2-P24	Crankcase Cover Gasket	1
25	SAC5020A-V2-P25	Hex Socket Cap Bolt	1
26	SAC5020A-V2-P26	Crankshaft	1
27	SAC5020A-V2-P27	Crankcase	1
28	SAC5020A-V2-P28	Crankcase Oil Seal	1
29	B/6204	Bearing 6204	1
30	SAC5020A-V2-P30	Rotor	1
31	SAC5020A-V2-P31	Capacitor	1
32	SWM5.S	Spring Washer M5 Zinc	4

Item	Part No.	Description	Qty
33	SAC5020A-V2-P33	Hex Screw M5x80	4
34	B/6202Z	Bearing 6202z	1
35	SAC5020A-V2-P35	Stator	1
36	SAC5020A-V2-P36	Rear Support	1
37	SAC5020A-V2-P37	Fan	1
38	SAC5020A-V2-P38	Fan Ring Ø14	1
39	SAC5020A-V2-P39	Plastic Pump Housing	1
40	SAC5020A-V2-P40	Casing Screw ST3x12	2
41	SAC5020A-V2-P41	Casing Screw	4



Item	Part No.	Description	Qty
1	SAC5020A-V2-SA01	Safety Valve 1/4"	1
2	SAC5020A-V2-SA02	Pressure Switch	1
3	SAC5020A-V2-SA03	Union Connector	1
4	SAC5020A-V2-SA04	Ball Valve 1/4"	1
5	SAC2420A-V2-SA05	Pressure Regulator ( <b>SAC2420A ONLY</b> )	1
5	SAC5020A-V2-SA05	Pressure Regulator ( <b>SAC5020A ONLY</b> )	1

Item	Part No.	Description	Qty
6	SAC5020A-V2-SA06	Quick Coupling	1
7	SAC5020A-V2-SA07	Pressure Gauge d.40	1
8	SAC2420A-V2-SA08	Pressure Gauge d.50 ( <b>SAC2420A ONLY</b> )	1
8	SAC5020A-V2-SA08	Pressure Gauge d.50 ( <b>SAC5020A ONLY</b> )	1

**NOTE:** It is our policy to continually improve products and as such we reserve the right to alter data, specifications and component parts without prior notice. There may be alternative versions of this product, please contact us should you require this information.

**IMPORTANT:** No liability is accepted for incorrect use of product. Spare parts must be fitted by a competent person

**WARRANTY:** Guarantee is 12 months from purchase date, proof of which will be required for any claim.

Sealey Group, Kempson Way, Suffolk Business Park, Bury St Edmunds, Suffolk. IP32 7AR



01284 757500



sales@sealey.co.uk



www.sealey.co.uk