

Item	Part No.	Description
100	SAC7475890000	TANK 200ltr
101	SAC7192090000	SAFETY VALVE 10bar 3/8"BSP MALE
102	SAC7090030000	PLUG 1/2
103	SAC7130150000	BALL VALVE 1/2"BSP FEMALE-1/2"BSP MALE
105	SS625.S	HEX HEAD SET SCREW M6x25mm SINGLE
106	SAC7080970000	ELBOW 1/4"BSP MALE-8mm PIPE
107	SAC7082050000	CROSS CONNECTOR 1/4"
108	SAC7130170000	BALL VALVE 1/4"BSP FEMALE X 2

Item	Part No.	Description
109	FWM6.S	FLAT WASHER M6 SINGLE
110	SAC7031030000	WASHER
111	SAC7090090000	PLUG 1/4"
112	SAC7239220000	DELIVERY PIPE
113	SAC7360400000	RUBBER FOOT
114	SAC7080160000	ELBOW 1/2"BSP MALE X2
115	SAC7082820000	ELBOW 3/8"BSP MALE-8mm PIPE
116	SAC7230020000	RILSAN HOSE

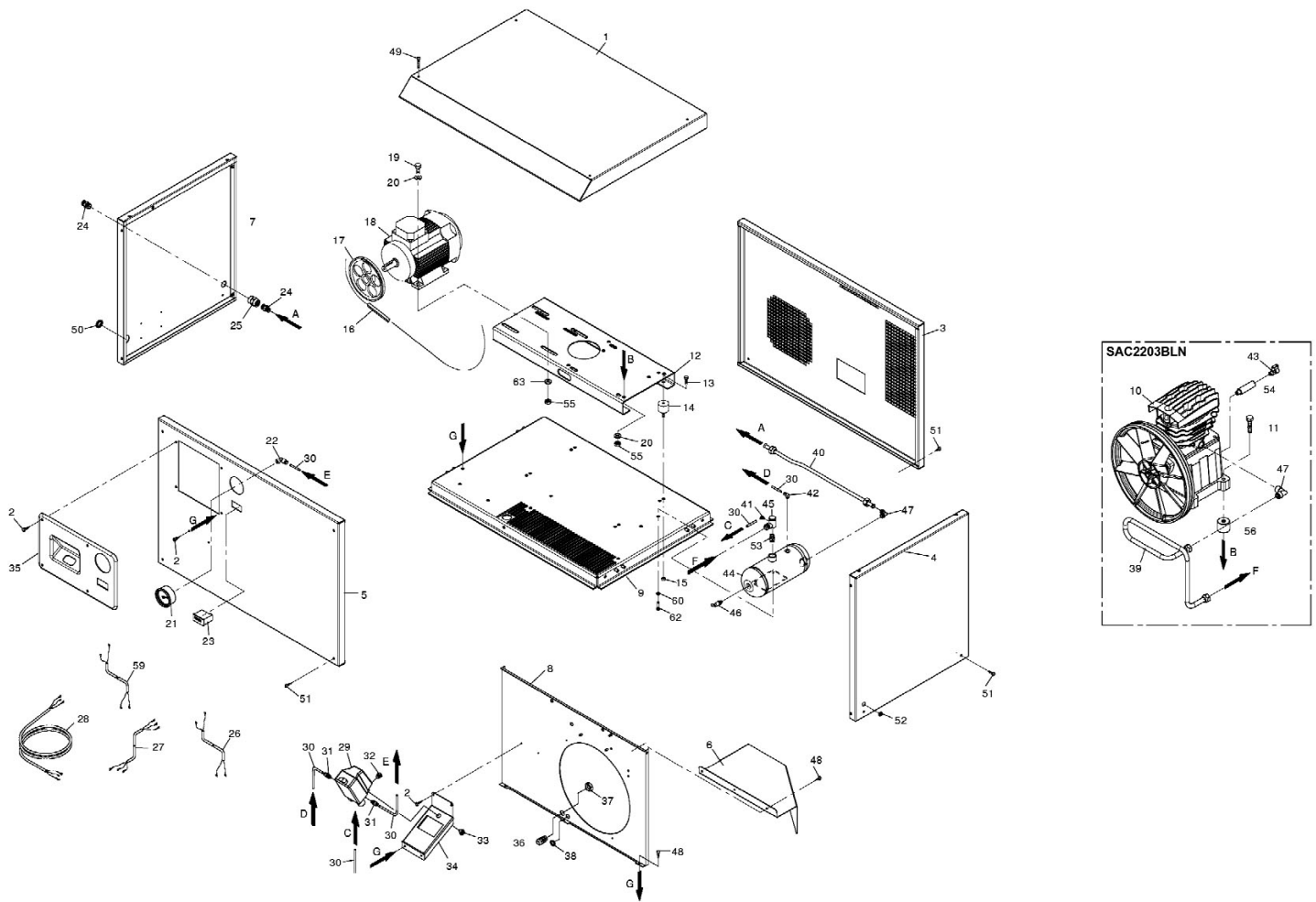
**NOTE:** It is our policy to continually improve products and as such we reserve the right to alter data, specifications and component parts without prior notice.

**IMPORTANT:** No liability is accepted for incorrect use of product.

**WARRANTY:** Guarantee is 12 months from purchase date, proof of which will be required for any claim.



Parts Information:  
Compressor 200ltr Belt Drive 3hp with  
Cast Cylinders Low Noise  
Model No: SAC2203BLN



**NOTE:** It is our policy to continually improve products and as such we reserve the right to alter data, specifications and component parts without prior notice.

**IMPORTANT:** No liability is accepted for incorrect use of product.

**WARRANTY:** Guarantee is 12 months from purchase date, proof of which will be required for any claim.

Sealey Group, Kempson Way, Suffolk Business Park, Bury St Edmunds, Suffolk. IP32 7AR



01284 757500



01284 703534



sales@sealey.co.uk



www.sealey.co.uk



Parts Information:  
**Compressor 200ltr Belt Drive 3hp with  
 Cast Cylinders Low Noise  
 Model No: SAC2203BLN**

Item	Part No.	Description
1	SAC5167290038	UPPER PANEL
2	SAC7014420000	SKT. HD BOLT M5X20
3	SAC5168940038	REAR PANEL
4	SAC5168900038	SIDE PANEL
5	SAC5168910038	FRONT PANEL
6	SAC5169650008	COVER SUPPORT
7	SAC5167300038	SIDE PANEL
8	SAC5167350008	MIDDLE PANEL
9	SAC5167360008	BASE
10	SAC3020041000	PUMP UNIT
11	SS1290.S	HEX HEAD SET SCREW M12x90mm SINGLE
12	SAC5167370008	MOTOR/PUMP UNIT BASE
13	SS810.S	HEX HEAD SET SCREW M8x10mm SINGLE
14	SAC7364420000	SHOCK ABSORBER
15	SN8.S	STEEL NUT M8 ZINC DIN934 (SINGLE)
16	SAC7371270000	BELT,RIBBED (ID-1410)
17	SAC7406350000	MOTOR PULLEY - 155MM SINGLE BELT (STANDA
18	SAC1127380796	MOTOR (BLACK FAN COVER TWO CAPACITORS)
19	SS835.S	HEX HEAD SET SCREW M8x35mm SINGLE
20	FWM8.S	FLAT WASHER M8 SINGLE
21	SAC7111030000	PRESSURE GAUGE
22	SAC7080890000	ELBOW 1/4"BSP FEMALE-6mm PIPE
23	SAC7563510000	TIMER
24	SAC7081311150	UNION 1/2"BSP X 2 L;40mm
25	SAC7085700000	UNION 1/2"BSP FEMALE X 2 L;26mm
26	SAC7326650000	PRESSURE SWITCH CABLE
27	SAC7327350000	THERMAL CABLE
28	SAC7328800000	PRESSURE SWITCH CABLE
29	SAC4084830000	PRESSURE SWITCH/KIT OF ACCESSORIES 8/10B
30	SAC7230010000	RISLAN HOSE (SOLD PER 1 METER)

Item	Part No.	Description
31	SAC7084220000	FITTING
32	SAC7016070000	SWITCH PLUG
33	SAC7090080000	PLUG
34	SAC5168930008	PRESSURE SWITCH SUPPORT
35	SAC7155770000	FRONT PANEL COVER
36	SAC7500440000	ADJUSTMENT
37	SAC7500440010	PLASTIC LOCK NUT M20x1.5 FINE PITCH
38	SAC7500070000	GLAND
39	SAC7235750000	DELIVERY PIPE
40	SAC7234530000	DELIVERY PIPE
41	SAC7080780000	ELBOW 10mm MALE-PIPE OD;6mm
42	SAC6006380614	ELBOW 1/4"BSP MALE- OD:6mm
43	SAC7130440000	BALL VALVE 1/4"BSP MALE-1/4"BSP FEMALE
44	SAC5156280008	TANK 270LTR
45	SAC7190150000	NON-RETURN VALVE
46	SAC7192010000	SAFETY VALVE 10 bar 1/4"BSP MALE
47	SAC7080160000	ELBOW 1/2"BSP MALE X2
48	MSP516.S	MACHINE SCREW PAN HEAD PHILLIPS M5x16mm
49	SCB580.S	SOCKET CAP BOLT ZINC M5X80
50	SAC7500060000	GLAND
51	SAC7014450000	SCREW (M5x50)
52	SAC7091160000	PLASTIC PLUG
53	SAC7081010000	UNION 1/2"BSP MALE X2 L;33mm
54	SAC7018990000	UNION 1/4"BSP MALE-1/4"BSP FEMALE L;78mm
55	SN8.S	STEEL NUT M8 ZINC DIN934 (SINGLE)
56	SAC7063060000	SPACER
59	SAC7327280000	CABLE
60	FWM6.S	FLAT WASHER M6 SINGLE
62	SS625.S	HEX HEAD SET SCREW M6x25mm SINGLE
63	RW825.S	REPAIR WASHER M8x25 (SINGLE)

**NOTE:** It is our policy to continually improve products and as such we reserve the right to alter data, specifications and component parts without prior notice.

**IMPORTANT:** No liability is accepted for incorrect use of product.

**WARRANTY:** Guarantee is 12 months from purchase date, proof of which will be required for any claim.

**Sealey Group**, Kempson Way, Suffolk Business Park, Bury St Edmunds, Suffolk. IP32 7AR



01284 757500



01284 703534

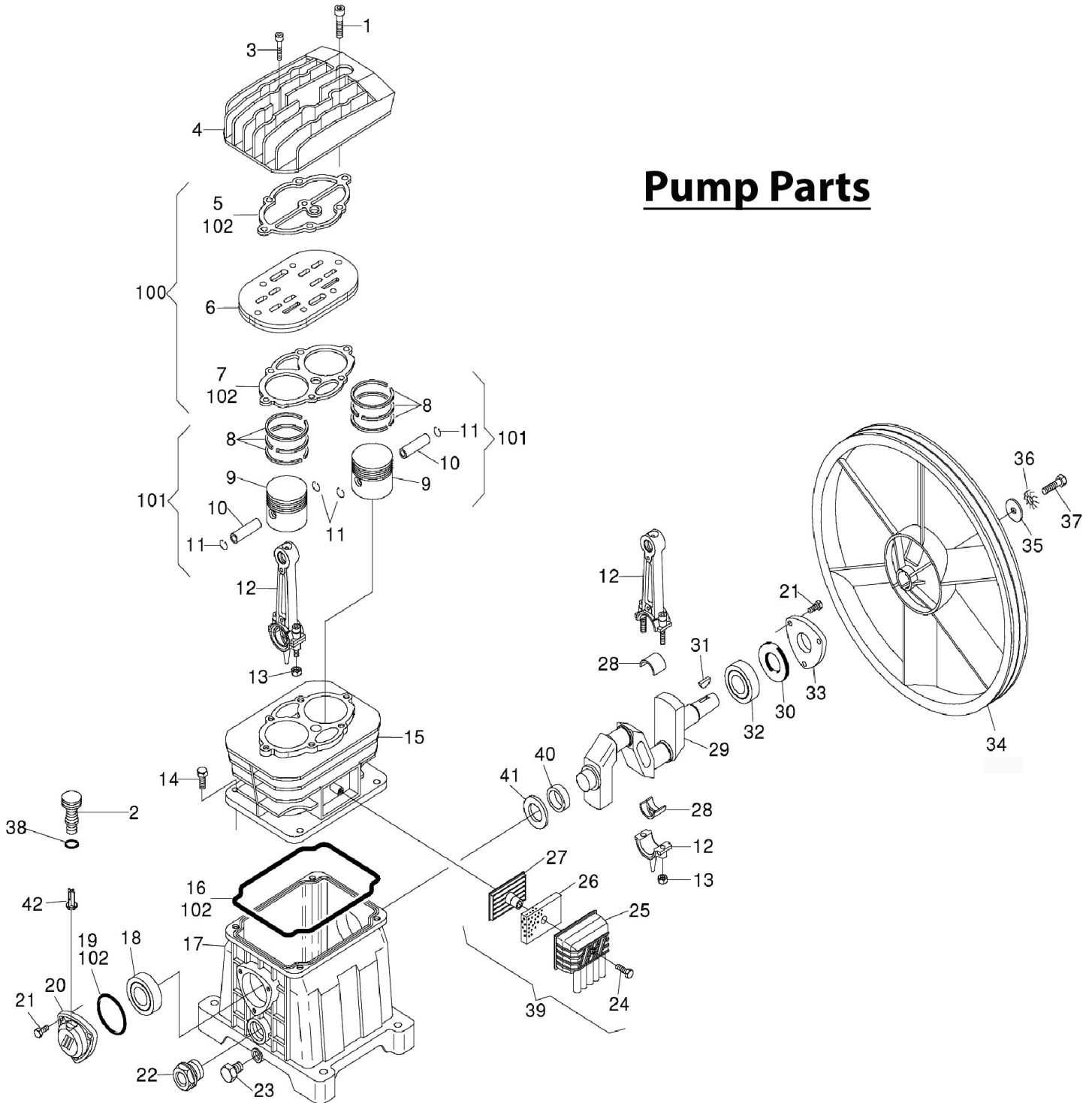


sales@sealey.co.uk



www.sealey.co.uk

## Pump Parts



**NOTE:** It is our policy to continually improve products and as such we reserve the right to alter data, specifications and component parts without prior notice.

**IMPORTANT:** No liability is accepted for incorrect use of product.

**WARRANTY:** Guarantee is 12 months from purchase date, proof of which will be required for any claim.



Parts Information:  
**Compressor 200ltr Belt Drive 3hp with  
Cast Cylinders Low Noise  
Model No: SAC2203BLN**

Item	Part No.	Description
1	SCB835.S	SOCKET HEAD CAP SCREW M8x35
2	SAC1129700300	BREATHER PLUG
3	SCB635.S	SOCKET HEAD CAP SCREW M6x35
4	SAC5030580008	HEAD
5	SAC7079470000	HEAD GASKET
6	SAC9106380000	VALVE PLATE KIT (ROUNDED ENDS)
7	SAC7079480000	CYLINDER GASKET
8	SAC4080120000	KIT OF PISTON RINGS (3)
9	SAC7220230000	PISTON
10	SAC7050180000	PISTON PIN
11	SAC7041410000	RING
12	SAC5050510008	CON-ROD
13	SAC7022030000	OVAL LOCK NUT M6
14	SS825.S	HEX HEAD SET SCREW M8x25mm SINGLE
15	SAC7575250000	CYLINDER
16	SAC7079440000	GASKET
17	SAC5071040008	CRANKCASE
18	B/6204	BEARING 6204
19	SAC7079450000	GASKET
20	SAC7151590000	COVER
21	SFS620.S	HEX HEAD FLANGE BOLT M6x20 SINGLE
22	SAC7180060000	OIL SIGHT GLASS
23	SAC7090090000	PLUG 1/4"

Item	Part No.	Description
24	SAC7012150000	RD HEAD S/T SCREW M4.1 X 45
25	SAC7151240000	INTAKE FILTER
26	SAC7210610000	FILTER ELEMENT
27	SAC7456260000	VALVE PLATE
28	SAC7062050000	BEARING SHELL
29	SAC5041010008	CRANKSHAFT
30	SAC7071150000	OIL SEAL
31	SAC7051510000	KEY (5x7.5)
32	B/6205	BEARING 6205
33	SAC7151170000	COVER
34	SAC7201010000	FLYWHEEL
35	RW825.S	REPAIR WASHER M8x25 (SINGLE)
36	SAC7031010000	TOOTHED WASHER
37	SS825.S	HEX HEAD SET SCREW M8x25mm SINGLE
38	SAC7070110000	O-RING
39	SAC4086990000	INTAKE FILTER KIT
40	SAC7031120000	SEAL WASHER
41	SAC7031110000	SPACER
42	SAC7091270000	OIL DIPSTICK
100	SAC4082930000	VALVE PLATE KIT (ROUNDED -ORANGE GASKET)
101	SAC4291140000	PISTON GROUP/KIT OF ACCESSORIES
102	SAC4082000000	GASKET SET/KIT OF ACCESSORIES

**NOTE:** It is our policy to continually improve products and as such we reserve the right to alter data, specifications and component parts without prior notice.

**IMPORTANT:** No liability is accepted for incorrect use of product.

**WARRANTY:** Guarantee is 12 months from purchase date, proof of which will be required for any claim.

**Sealey Group**, Kempson Way, Suffolk Business Park, Bury St Edmunds, Suffolk. IP32 7AR



01284 757500



01284 703534



sales@sealey.co.uk



www.sealey.co.uk