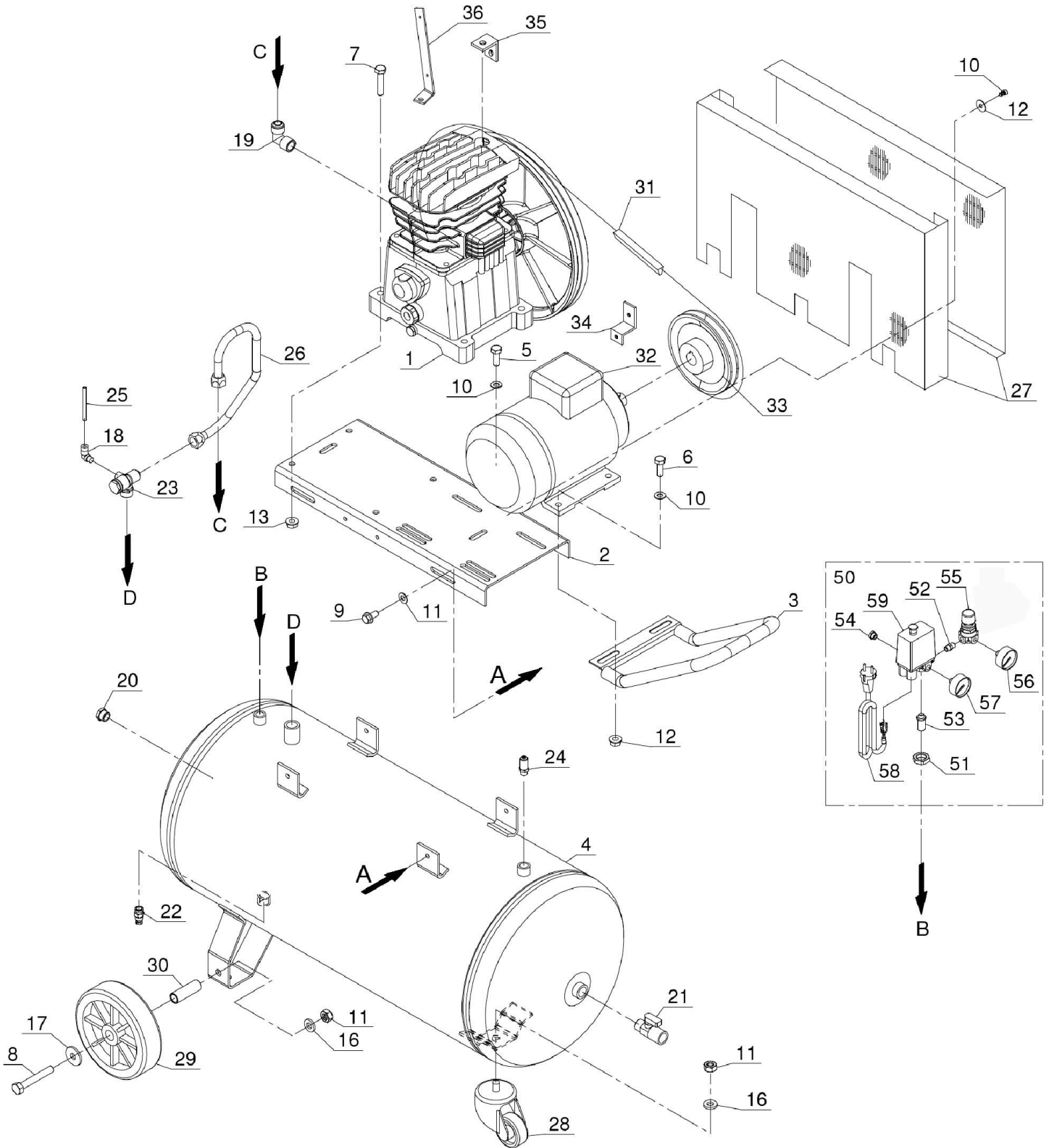


Parts Information:  
**Compressor 100ltr Belt Drive 3hp with Cast  
 Cylinders & Wheels**  
**Model No: SAC2103B**



**NOTE:** It is our policy to continually improve products and as such we reserve the right to alter data, specifications and component parts without prior notice.

**IMPORTANT:** No liability is accepted for incorrect use of product.

**WARRANTY:** Guarantee is 12 months from purchase date, proof of which will be required for any claim.



Parts Information:  
**Compressor 100ltr Belt Drive 3hp with Cast  
Cylinders & Wheels**  
**Model No: SAC2103B**

Item	Part No.	Description
1	SAC3020041000	PUMP UNIT
2	SAC5010940008	BASE PLATE
3	SAC5140100008	HANDLE
4	SAC5159151008	TANK 100ltr
5	SS825.S	HEX HEAD SET SCREW M8x25mm SINGLE
6	SS830.S	HEX HEAD SET SCREW M8x30mm SINGLE
7	SS1045.S	HEX HEAD SET SCREW M10x45mm SINGLE
8	HHB1280.S	HEX HEAD BOLT M12x80mm SINGLE
9	SFS1020.S	HEX HEAD FLANGE BOLT M10x20 SINGLE
10	MSP512.S	MACHINE SCREW PAN HEAD PHILLIPS M5x12mm
11	SN12.S	STEEL NUT M12 ZINC DIN934(SINGLE)
12	SN8.S	STEEL NUT M8 ZINC DIN934 (SINGLE)
13	SN10.S	STEEL NUT M10 ZINC DIN934(SINGLE)
--	FWM8.S	FLAT WASHER M8 SINGLE (NOT SHOWN)
--	RW625.S	REPAIR WASHER M6x25 (SINGLE) (NOT SHOWN)
16	FWM12.S	FLAT WASHER M12 SINGLE
17	RW1235.S	REPAIR WASHER M12x35 (SINGLE)
18	SAC7080140000	ELBOW 10mm MALE- OD:6mm PIPE
19	SAC7080160000	ELBOW 1/2"BSP MALE X2
20	SAC7090030000	PLUG 1/2
21	SAC7130150000	BALL VALVE 1/2"BSP FEMALE-1/2"BSP MALE
22	SAC7130160000	DRAIN VALVE 3/8"BSP MALE
23	SAC7190190000	NON-RETURN VALVE
24	SAC7192090000	SAFETY VALVE 10bar 3/8"BSP MALE

Item	Part No.	Description
25	SAC7230010000	RISLAN HOSE (SOLD PER 1 METER)
26	SAC7235260000	DELIVERY PIPE
27	SAC4170130000	BELT GUARD KIT
28	SAC7260030000	WHEEL,CASTOR (100x8x29x132)
29	SAC7260470000	WHEEL,FIXED (196x20x52)
30	SAC7330010000	WHEEL SPACER
31	SAC7371260000	BELT,RIBBED (ID-1315)
32	SAC1127380796	MOTOR (BLACK FAN COVER TWO CAPACITORS)
33	SAC7406350000	MOTOR PULLEY - 155MM SINGLE BELT (STANDA
34	SAC7458860000	BELT GUARD SUPPORT
35	SAC7458940000	BELT GUARD SUPPORT
36	SAC7459260000	BELT GUARD SUPPORT
50	SAC4057620000	PRESSURE SWITCH KIT 16/20Amp 12Bar 175Ps
51	SAC7023050000	LOCK NUT
52	SAC7081090000	UNION 1/4"BSP M-1/4"BSP M L:25mm
53	SAC7088060000	CONNECTOR
54	SAC7090090000	PLUG 1/4"
55	SAC7100640000	PRESSURE REDUCER
56	SAC7110240000	PRESSURE GAUGE 240psi, 43mm OD, REAR FIT
57	SAC9700001789	PRESSURE GAUGE 230 psi, 50mm OD, rear fi
58	SAC7130570000	COUPLING BODY 1/4"BSP MALE
59	SAC7250360000	PRESSURE SWITCH 20Amp
--	SAC7329010000	POWER CABLE (NOT SHOWN)

**NOTE:** It is our policy to continually improve products and as such we reserve the right to alter data, specifications and component parts without prior notice.

**IMPORTANT:** No liability is accepted for incorrect use of product.

**WARRANTY:** Guarantee is 12 months from purchase date, proof of which will be required for any claim.

**Sealey Group**, Kempson Way, Suffolk Business Park, Bury St Edmunds, Suffolk. IP32 7AR



01284 757500



01284 703534



sales@sealey.co.uk



www.sealey.co.uk





Parts Information:  
**Compressor 100ltr Belt Drive 3hp with Cast  
Cylinders & Wheels**  
**Model No: SAC2103B**

Item	Part No.	Description
1	SCB835.S	SOCKET HEAD CAP SCREW M8x35
2	SAC1129700300	BREATHER PLUG
3	SCB635.S	SOCKET HEAD CAP SCREW M6x35
4	SAC5030580008	HEAD
5	SAC7079470000	HEAD GASKET
6	SAC9106380000	VALVE PLATE KIT (ROUNDED ENDS)
7	SAC7079480000	CYLINDER GASKET
8	SAC4080120000	KIT OF PISTON RINGS (3)
9	SAC7220230000	PISTON
10	SAC7050180000	PISTON PIN
11	SAC7041410000	RING
12	SAC5050510008	CON-ROD
13	SAC7022030000	OVAL LOCK NUT M6
14	SS825.S	HEX HEAD SET SCREW M8x25mm SINGLE
15	SAC7575250000	CYLINDER
16	SAC7079440000	GASKET
17	SAC5071040008	CRANKCASE
18	B/6204	BEARING 6204
19	SAC7079450000	GASKET
20	SAC7151590000	COVER
21	SFS620.S	HEX HEAD FLANGE BOLT M6x20 SINGLE
22	SAC7180060000	OIL SIGHT GLASS
23	SAC7090090000	PLUG 1/4"

Item	Part No.	Description
24	SAC7012150000	RD HEAD S/T SCREW M4.1 X 45
25	SAC7151240000	INTAKE FILTER
26	SAC7210610000	FILTER ELEMENT
27	SAC7456260000	VALVE PLATE
28	SAC7062050000	BEARING SHELL
29	SAC5041010008	CRANKSHAFT
30	SAC7071150000	OIL SEAL
31	SAC7051510000	KEY (5x7.5)
32	B/6205	BEARING 6205
33	SAC7151170000	COVER
34	SAC7201010000	FLYWHEEL
35	RW825.S	REPAIR WASHER M8x25 (SINGLE)
36	SAC7031010000	TOOTHED WASHER
37	SS825.S	HEX HEAD SET SCREW M8x25mm SINGLE
38	SAC7070110000	O-RING
39	SAC4086990000	INTAKE FILTER KIT
40	SAC7031120000	SEAL WASHER
41	SAC7031110000	SPACER
42	SAC7091270000	OIL DIPSTICK
100	SAC4082930000	VALVE PLATE KIT (ROUNDED -ORANGE GASKET)
101	SAC4291140000	PISTON GROUP/KIT OF ACCESSORIES
102	SAC4082000000	GASKET SET/KITOF ACCESSORIES

**NOTE:** It is our policy to continually improve products and as such we reserve the right to alter data, specifications and component parts without prior notice.

**IMPORTANT:** No liability is accepted for incorrect use of product.

**WARRANTY:** Guarantee is 12 months from purchase date, proof of which will be required for any claim.

**Sealey Group**, Kempson Way, Suffolk Business Park, Bury St Edmunds, Suffolk. IP32 7AR



01284 757500



01284 703534



sales@sealey.co.uk



www.sealey.co.uk