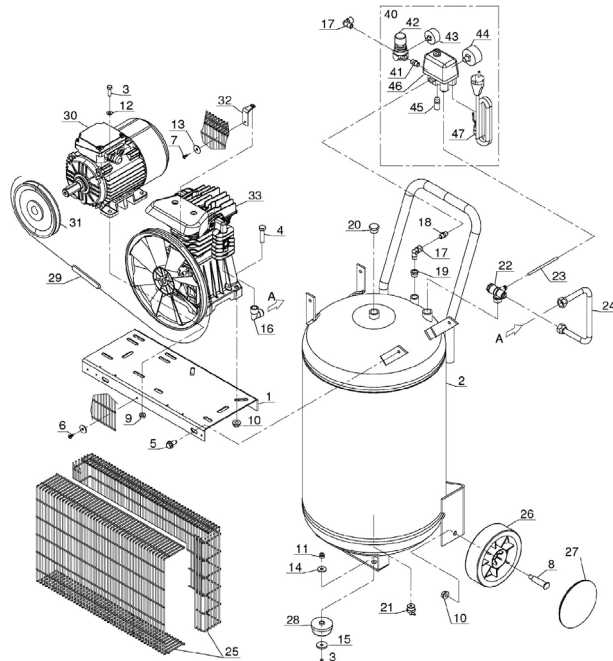




Parts Information:  
**Compressor 90ltr Vertical Belt Drive 3hp**  
**Model No: SAC1903B**



Item	Part No.	Description
1	SAC5010140008	BASE PLATE
2	SAC5150320008	TANK 90ltr
3	SS825.S	HEX HEAD SET SCREW M8x25mm SINGLE
4	SS1045.S	HEX HEAD SET SCREW M10x45mm SINGLE
5	SFS1020.S	HEX HEAD FLANGE BOLT M10x20 SINGLE
6	MSP512.S	MACHINE SCREW PAN HEAD PHILLIPS M5x12mm
7	SAC7012170000	SCREW (M5x8)
8	SAC7018290000	WHEEL BOLT
9	SN8.S	STEEL NUT M8 ZINC DIN934 (SINGLE)
10	SN10.S	STEEL NUT M10 ZINC DIN934(SINGLE)
11	SN8.S	STEEL NUT M8 ZINC DIN934 (SINGLE)
12	FWM8.S	FLAT WASHER M8 SINGLE
13	RW625.S	REPAIR WASHER M6x25 (SINGLE)
14	SAC7030120000	WASHER (8x24x2)
15	RW825.S	REPAIR WASHER M8x25 (SINGLE)
16	SAC7080160000	ELBOW 1/2"BSP MALE X2
17	SAC7080180000	ELBOW 1/4"BSP MALE + 1/4"BSP FEMALE
18	SAC7081090000	UNION 1/4"BSP M-1/4"BSP M L:25mm
19	SAC7085190000	FITTING 3/8"-1/4" M/F
20	SAC7090030000	PLUG 1/2
21	SAC7130310000	DRAIN VALVE 1/2"BSP MALE
22	SAC7190190000	NON-RETURN VALVE
23	SAC7230010000	RISLAN HOSE (SOLD PER 1 METER)
24	SAC7237000000	DELIVERY PIPE
25	SAC7240220000	BELT GUARD
26	SAC7260290000	WHEEL, FIXED (174x15x48)

Item	Part No.	Description
27	SAC7261040000	WHEEL COVER
28	SAC7360250000	RUBBER FOOT
29	V/A47	V-BELT (ID-1200) A47
--	SAC7386730000	THERMAL PROTECTION (NOT SHOWN)
--	SAC7310830000	RUN CAPACITOR (45uf 450V) 'WHITE' (NOT SHOWN)
--	SAC7386720000	START CAPACITOR (150mfd 350V) 'BLUE' (NOT SHOWN)
--	SAC7386880000	TERMINAL BOX COVER (NOT SHOWN)
--	SAC7386690000	MOTOR FAN (NOT SHOWN)
--	SAC7386700000	MOTOR FAN COVER (PLASTIC) (NOT SHOWN)
--	SAC7387660000	MOTOR FAN COVER (METAL) (NOT SHOWN)
30	SAC1127380796	MOTOR (BLACK FAN COVER TWO CAPACITORS)
31	SAC7409570000	MOTOR PULLEY 160MM - SINGLE BELT (STANDA
32	SAC7458510000	BELT GUARD SUPPORT
33	SAC9101880000	PUMP UNIT
40	SAC4057690000	PRESSURE SWITCH KIT
41	SAC7081090000	UNION 1/4"BSP M-1/4"BSP M L:25mm
42	SAC7100640000	PRESSURE REDUCER
43	SAC7110240000	PRESSURE GAUGE 240psi, 43mm OD, REAR FIT
44	SAC9700001789	PRESSURE GAUGE 230 psi, 50mm OD, rear fi
45	SAC7192010000	SAFETY VALVE 10 bar 1/4"BSP MALE
46	SAC7250360000	PRESSURE SWITCH 20Amp
47	SAC7329010000	POWER CABLE

**NOTE:** It is our policy to continually improve products and as such we reserve the right to alter data, specifications and component parts without prior notice.

**IMPORTANT:** No liability is accepted for incorrect use of product.

**WARRANTY:** Guarantee is 12 months from purchase date, proof of which will be required for any claim.

**Sealey Group**, Kempson Way, Suffolk Business Park, Bury St Edmunds, Suffolk. IP32 7AR



01284 757500



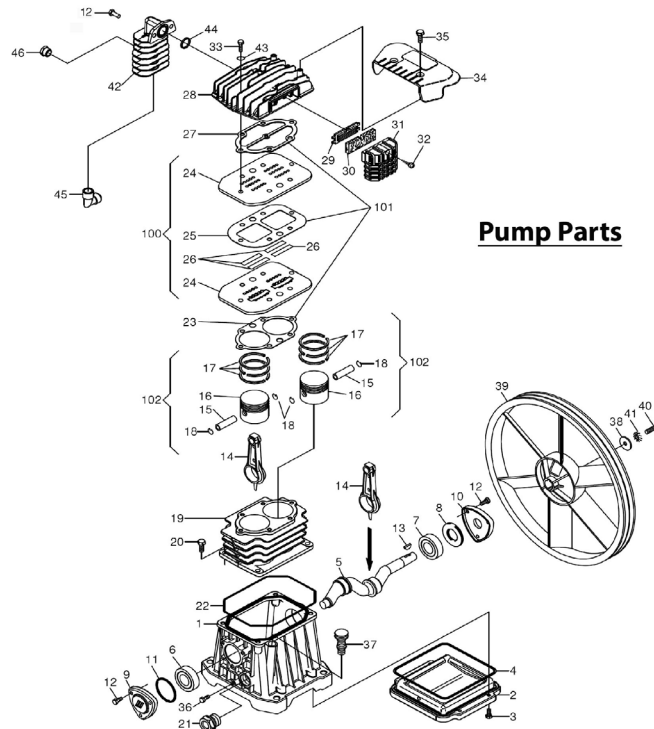
01284 703534



sales@sealey.co.uk



www.sealey.co.uk



Item	Part No.	Description
1	SAC9700001075	CRANKCASE
2	SAC9700001076	CRANKCASE COVER
3	SAC9700000531	SCREW (M5x12)
4	SAC9700001077	CRANKCASE BASE SEAL
5	SAC9100270140	CRANKSHAFT
6	B/6203	BEARING 6203
7	B/6204	BEARING 6204
8	SAC9100270150	OIL SEAL
9	SAC9100270160	FRONT COVER
10	SAC9100270170	REAR COVER
11	SAC9100280010	O-RING 46.2x39.6x3.3 (FRONT COVER SEAL)
12	SAC7011420000	SCREW (M6x16)
13	SAC9100280020	KEY
14	SAC9100270010	CONNECTION ROD
15	SAC9100270020	GUDGEON PIN
16	SAC9100270030	PISTON
17	SAC4080120000	KIT OF PISTON RINGS (3)
18	SAC9100270070	SEEGER RING (OGIVE)
19	SAC9100270080	CYLINDER(TWIN)
20	SAC7012220000	SCREW
21	SAC9100280070	OIL SIGHT GLASS
22	SAC9100270180	GASKET, CYLINDER BASE
23	SAC9100270190	GASKET
24	SAC9100270090	VALVE PLATE (CAST WITH HOLE FOR REEDS)
25	SAC9100270200	GASKET

Item	Part No.	Description
26	SAC9100280090	VALVE
27	SAC9100270210	GASKET
28	SAC9100270100	CYLINDER HEAD
29	SAC7458340000	PLATE
30	SAC7210010000	FILTER ELEMENT
31	SAC9100270240	INTAKE FILTER
32	SAC7012100000	RD HEAD S/T SCREW M3.8 X 15
33	SCB855.S	SOCKET CAP BOLT ZINC M8X55
34	SAC9100270220	COVER
35	MSP512.S	MACHINE SCREW PAN HEAD PHILLIPS M5x12mm
36	SS616.S	HEX HEAD SET SCREW M6x16mm SINGLE
37	SAC1129700300	BREATHER PLUG
38	RW825.S	REPAIR WASHER M8x25 (SINGLE)
39	SAC9100270230	FLYWHEEL
40	SS825.S	HEX HEAD SET SCREW M8x25mm SINGLE
41	SAC7031010000	TOOTHED WASHER
42	SAC9100270270	AFTERCOOLER
43	FWM8.S	FLAT WASHER M8 SINGLE
44	SAC9100270280	GASKET
45	SAC7080160000	ELBOW 1/2" BSP MALE X2
46	SAC9700000693	PLUG 3/8"
100	SAC9700003272	VALVE PLATE ASS'Y
101	SAC9700000078	GASKET KIT
102	SAC9700010170	PISTON GROUP

**NOTE:** It is our policy to continually improve products and as such we reserve the right to alter data, specifications and component parts without prior notice.

**IMPORTANT:** No liability is accepted for incorrect use of product.

**WARRANTY:** Guarantee is 12 months from purchase date, proof of which will be required for any claim.