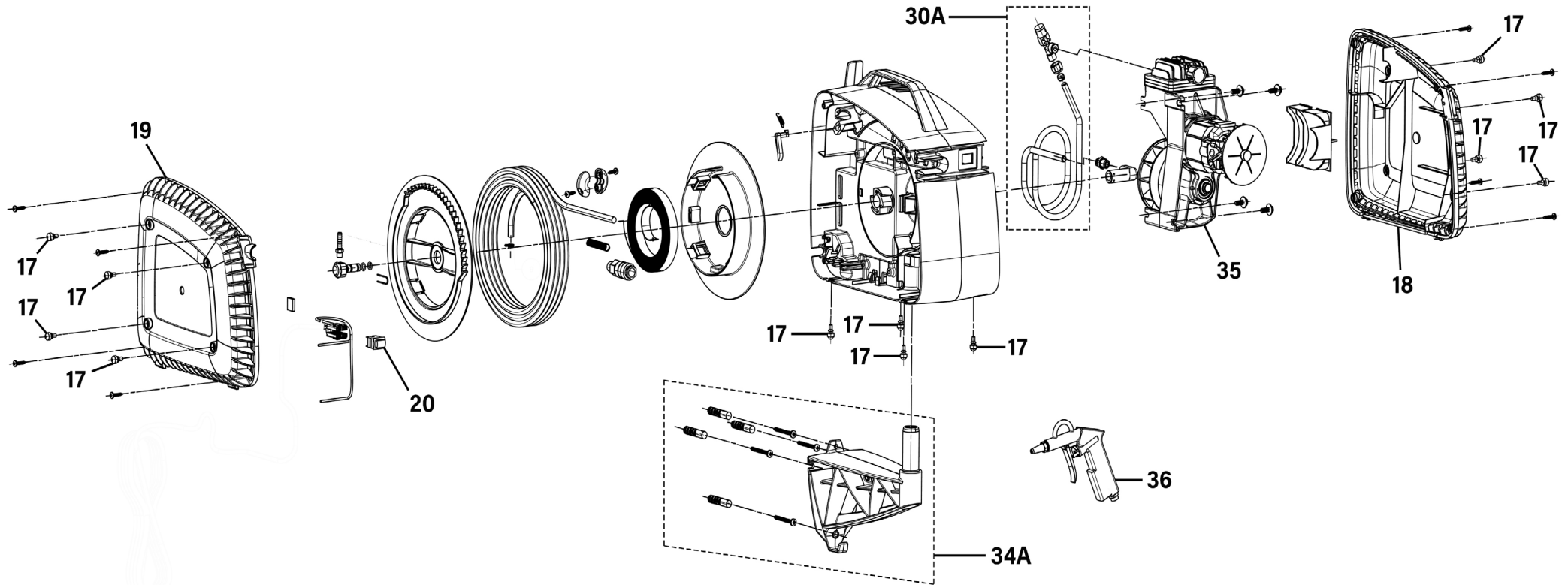




Parts Information:
Air Compressor Wall Mounted Oil Free 1.5hp with 7m Retractable Hose Reel
Model No: SAC15WM



Item	Part No.	Description
17	SAC2236117699	Rubber Feet Kit
18	SAC2236117702	Back Cover (Red)
19	SAC2236117701	Front Cover (Red)
20	SAC2236117700	Power Switch

Item	Part No.	Description
30A	SAC2236117703	Inner Tube Kit
34A	SAC2236117697	Wall Bracket Assembly
35	SAC2236117707	Pump/Motor Kit
36	SAC2236117698	Blow Gun

NOTE: It is our policy to continually improve products and as such we reserve the right to alter data, specifications and component parts without prior notice.

There may be alternative versions of this product, please contact us should you require this information.

IMPORTANT: No liability is accepted for incorrect use of product. Spare parts must be fitted by a competent person

WARRANTY: Guarantee is 12 months from purchase date, proof of which will be required for any claim.

Sealey Group, Kempson Way, Suffolk Business Park, Bury St Edmunds, Suffolk. IP32 7AR



01284 757500



sales@sealey.co.uk



www.sealey.co.uk