

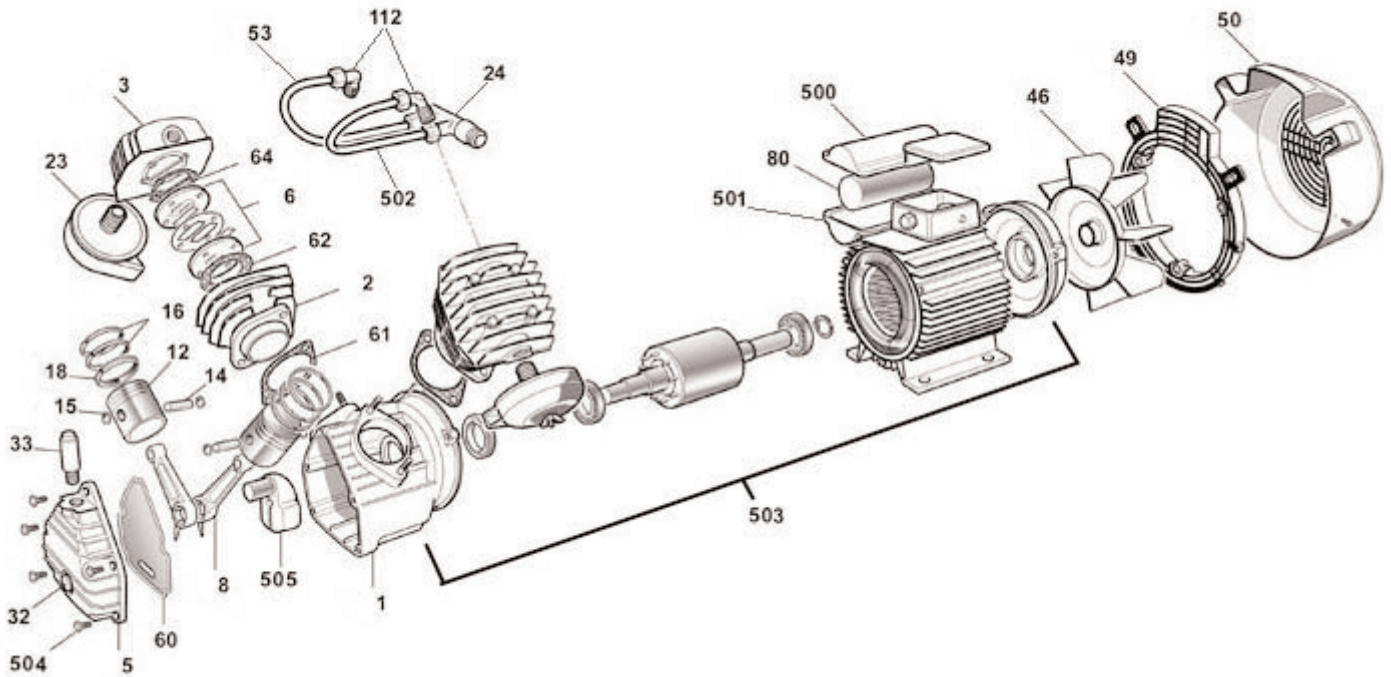
| Item | Part No. | Description |
|------|------------|------------------------------------------|
| 104 | SAC9083047 | HANDLE |
| 105 | SAC9048053 | NON RETURN VALVE |
| 106 | SAC9047073 | COUPLING BODY 1/4"BSP MALE |
| 107 | SAC9047051 | DRAIN VALVE 1/4"BSP MALE (BALL VALVE TYP |
| 108 | SAC9051116 | PRESSURE REDUCER |
| 109 | SAC9415050 | GAUGE 240psi, 50mm OD, REAR FITTING. |
| 109 | SAC9052092 | GAUGE 180psi, 40mm OD, REAR FITTING |
| 110 | SAC9049019 | SAFETY VALVE 10bar 1/4"BSP MALE |
| 112 | SAC9053159 | ELBOW 3/8"BSP MALE-10mm PIPE |
| 116 | SAC9038001 | HANDLE PLUG |

| Item | Part No. | Description |
|------|---------------|------------------------------------|
| 127 | SAC9270006 | RILSAN PIPE |
| 131 | SAC9063084 | PRESSURE SWITCH 16Amp 12Bar 175Psi |
| 132 | SAC9065075 | POWER CORD 1 METRE LONG |
| 145 | SAC9046249 | SENDING PIPE |
| 300 | SAC9420084 | WHEEL KIT (205x40x12) |
| 500 | SAC9050258 | UNION 3/8"BSP MALE X2 L;60mm |
| 501 | SAC9050373 | UNION 1/4"BSP MALE X2 L;30mm |
| 502 | SAC9050619 | PLUG 1/2" |
| 503 | SAC9047074 | COUPLING BODY MALE THREAD 1/2 BSP |
| | SAC10030.PUMP | PUMP |

NOTE: It is our policy to continually improve products and as such we reserve the right to alter data, specifications and component parts without prior notice.

IMPORTANT: No liability is accepted for incorrect use of product.

WARRANTY: Guarantee is 12 months from purchase date, proof of which will be required for any claim.



| Item | Part No. | Description |
|------|------------|--------------------------|
| 1 | SACN000643 | CRANKCASE |
| 2 | SAC9606202 | CYLINDER |
| 3 | SAC9411008 | PUMP HEAD |
| 5 | SAC9606105 | COVER |
| 6 | SAC9411032 | VALVE PLATE ASS'Y |
| 8 | SAC9606129 | CONROD |
| 12 | SAC9411014 | PISTON |
| 14 | SAC9411023 | PISTON PIN |
| 15 | SAC9411067 | SEEGER RING |
| 16 | SAC9411019 | SEAL |
| 18 | SAC9411020 | PISTON RING |
| 23 | SAC9411129 | AIR FILTER (16mm THREAD) |
| 24 | SAC9606122 | MANIFOLD |
| 32 | SAC9022001 | OIL LEVEL |
| 33 | SAC9411107 | OIL FILLING PLUG |
| 46 | SAC9606116 | FAN |

| Item | Part No. | Description |
|------|------------|------------------------------------------|
| 49 | SAC9606117 | GRILL |
| 50 | SAC9606118 | FAN COVER |
| 53 | SAC9606138 | CONNECTING PIPE |
| 60 | SAC9606107 | GASKET COVER |
| 61 | SAC9606115 | CRANKCASE GASKET |
| 62 | SAC9411057 | VALVE PLATE GASKET |
| 64 | SAC9411058 | VALVE HEAD GASKET |
| 80 | SAC9606124 | CAPACITOR 70uf 450v 50/60hz 100x50 |
| 112 | SAC9053159 | ELBOW 3/8"BSP MALE-10mm PIPE |
| 500 | SAC9416507 | CAPACITOR CASE (UPPER) |
| 501 | SAC9416508 | CAPACITOR CASE (LOWER) |
| 502 | SAC9606139 | CONNECTING PIPE |
| 503 | SAC9606130 | ROTOR & STATOR ASS'Y |
| 504 | SAC9411074 | SOCKET HEAD CAP SCREW M8 (LEFT HAND THRE |
| 505 | SAC9606131 | CRANKSHFT |
| -- | SAC9414870 | ADAPTOR (NOT SHOWN) |

NOTE: It is our policy to continually improve products and as such we reserve the right to alter data, specifications and component parts without prior notice.

IMPORTANT: No liability is accepted for incorrect use of product.

WARRANTY: Guarantee is 12 months from purchase date, proof of which will be required for any claim.