

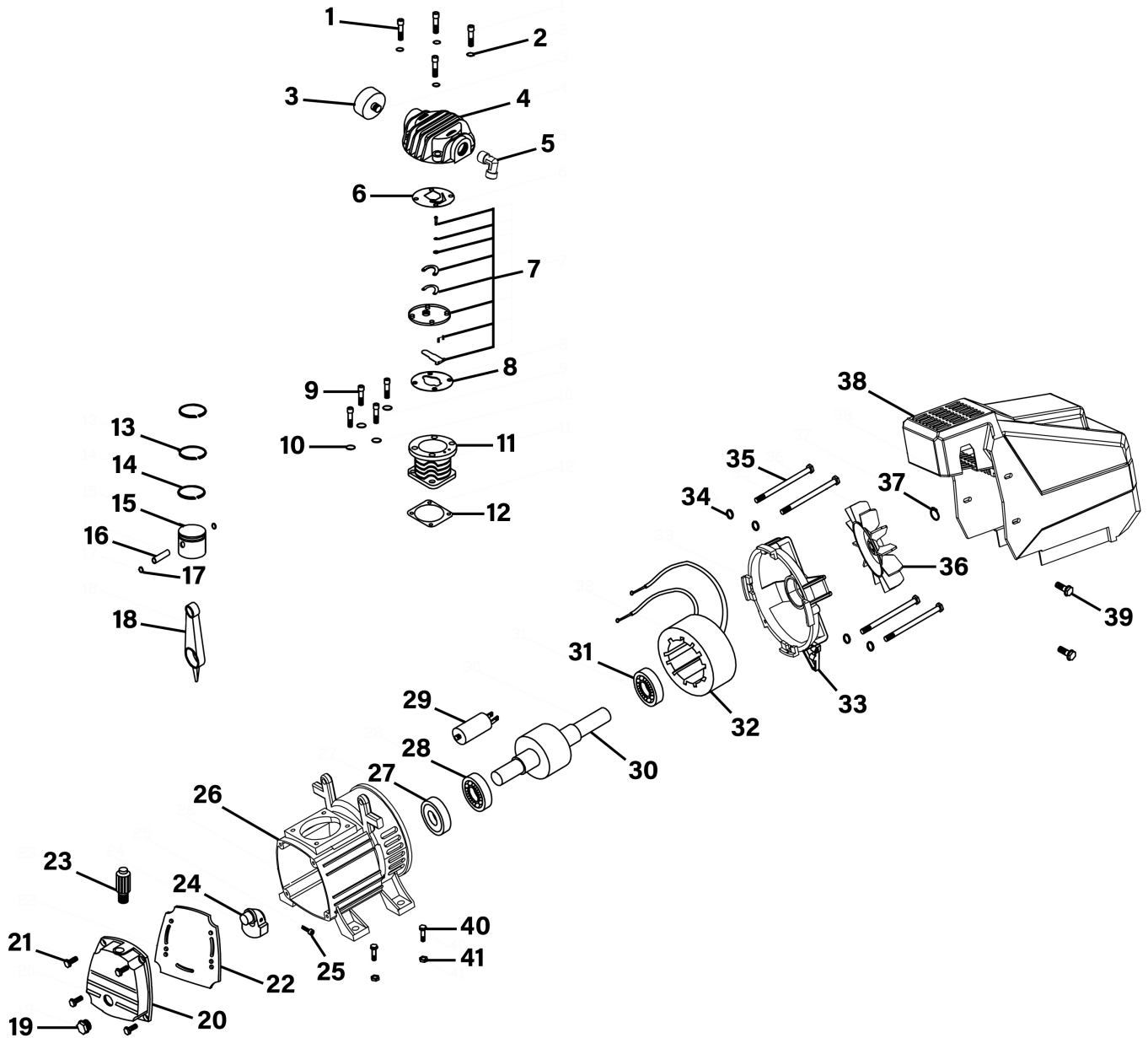
| Item | Part No.    | Description       | Qty |
|------|-------------|-------------------|-----|
| 1    | SAC0620A-01 | Handle Grip       | 1   |
| 2    | SAC0620A-02 | Tank 6ltr         | 1   |
| 3    | SAC0620A-03 | Unloading Pipe Ø6 | 1   |
| 4    | SAC0620A-04 | Exhaust Pipe Ø10  | 1   |
| 6    | SAC0620A-06 | Check Valve       | 1   |

| Item | Part No.    | Description             | Qty |
|------|-------------|-------------------------|-----|
| 7    | SN5.S       | Steel Nut M5 Zinc       | 4   |
| 8    | SAC6000S-14 | Rubber Foot             | 4   |
| 9    | SAC0620A-09 | Rubber Foot Screw M5x14 | 4   |
| 10   | SAC0620A-10 | Drain Valve             | 1   |
| 11   | SAC5000S-14 | Rubber Block            | 1   |

**NOTE:** It is our policy to continually improve products and as such we reserve the right to alter data, specifications and component parts without prior notice. There may be alternative versions of this product, please contact us should you require this information.

**IMPORTANT:** No liability is accepted for incorrect use of product. Spare parts must be fitted by a competent person

**WARRANTY:** Guarantee is 12 months from purchase date, proof of which will be required for any claim.



| Item | Part No.     | Description             | Qty |
|------|--------------|-------------------------|-----|
| 1    | SCB630.S     | Socket Cap Bolt M6 x 30 | 4   |
| 2    | FWM6.S       | Flat Washer M6 Zinc     | 4   |
| 3    | SAC0620A-P03 | Air Filter              | 1   |
| 4    | SAC0620A-P04 | Cylinder Head           | 1   |
| 5    | SAC0620A-P05 | Exhaust Elbow           | 1   |
| 6    | SAC0620A-P06 | Cylinder Head Gasket    | 1   |
| 7    | SAC0620A-P07 | Valve Assembly          | 1   |
| 8    | SAC0620A-P08 | Valve Gasket            | 1   |

| Item | Part No.     | Description               | Qty |
|------|--------------|---------------------------|-----|
| 9    | SCB620.S     | Socket Cap Bolt M6 x 20mm | 4   |
| 10   | SWM6.S       | Spring Washer M6 Zinc     | 4   |
| 11   | SAC0620A-P11 | Cylinder                  | 1   |
| 12   | SAC0620A-P12 | Cylinder Gasket           | 1   |
| 13   | SAC0620A-P13 | Piston Ring               | 2   |
| 14   | SAC0620A-P14 | Piston/Oil Ring           | 1   |
| 15   | SAC0620A-P15 | Piston                    | 1   |
| 16   | SAC0620A-P16 | Piston Pin                | 1   |

**NOTE:** It is our policy to continually improve products and as such we reserve the right to alter data, specifications and component parts without prior notice. There may be alternative versions of this product, please contact us should you require this information.

**IMPORTANT:** No liability is accepted for incorrect use of product. Spare parts must be fitted by a competent person

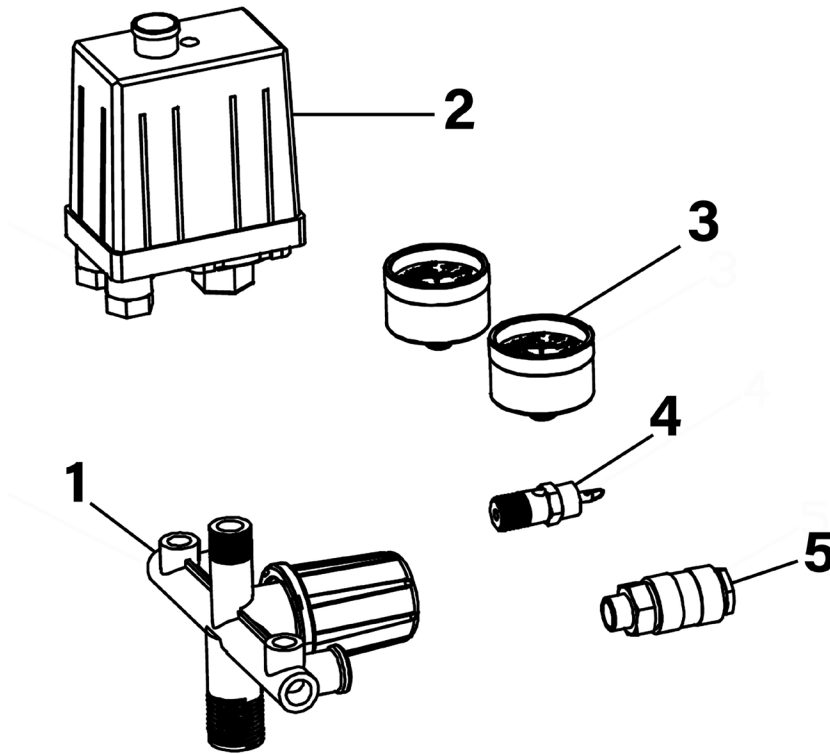
**WARRANTY:** Guarantee is 12 months from purchase date, proof of which will be required for any claim.



Parts Information:  
**Air Compressor 6L Direct Drive 2hp**  
**Model No: SAC0620A**

| Item | Part No.        | Description                       | Qty |
|------|-----------------|-----------------------------------|-----|
| 17   | SAC5020A-V2-P17 | Piston Pin Clip Ø12               | 2   |
| 18   | SAC0620A-P18    | Connecting Rod                    | 1   |
| 19   | SAC0620A-P19    | Oil Sight Glass                   | 1   |
| 20   | SAC0620A-P20    | Crankcase Cover                   | 1   |
| 21   | SFS516.S        | Hex Head Flange Bolt M5 X 16 Zinc | 4   |
| 22   | SAC0620A-P22    | Crankcase Cover Gasket            | 1   |
| 23   | SAC5020A-V2-P20 | Air Breather M16x1.5              | 1   |
| 24   | SAC0620A-P24    | Crankshaft                        | 1   |
| 25   | SS612.S         | Hex Head Set Screw M6 X 12 Zinc   | 1   |
| 26   | SAC0620A-P26    | Crankcase                         | 1   |
| 27   | SAC0620A-P27    | Crankcase Oil Seal                | 1   |
| 28   | B/6202          | Bearing 6202                      | 1   |
| 29   | SAC0620A-P29    | Capacitor                         | 1   |

| Item | Part No.        | Description                              | Qty |
|------|-----------------|--|-----|
| 30   | SAC0620A-P30    | Rotor                                    | 1   |
| 31   | B/6303          | Bearing 6303                             | 1   |
| 32   | SAC0620A-P32    | Stator                                   | 1   |
| 33   | SAC0620A-P33    | Rear Support                             | 1   |
| 34   | SWM5.S          | Spring Washer M5 Zinc                    | 4   |
| 35   | SAC0620A-P35    | Hex Screw M5x70                          | 4   |
| 36   | SAC0620A-P36    | Fan                                      | 1   |
| 37   | SAC5020A-V2-P38 | Fan Ring Ø14                             | 1   |
| 38   | SAC0620A-P38    | Plastic Pump Housing                     | 1   |
| 39   | MSP58.S         | Machine Screw Pan Head Phillips M5 X 8mm | 4   |
| 40   | SS825.S         | Hex Head Set Screw M8 X 25 Zinc          | 4   |
| 41   | FWM8.S          | Flat Washer M8 Zinc                      | 4   |



| Item | Part No.      | Description         | Qty |
|------|---------------|---------------------|-----|
| 1    | SAC6000S-SA01 | Pressure Regulator  | 1   |
| 2    | SAC5000S-SA02 | Pressure Switch     | 1   |
| 3    | SAC6000S-SA03 | Pressure Gauge d.40 | 2   |

| Item | Part No.      | Description    | Qty |
|------|---------------|----------------|-----|
| 4    | SAC5000S-SA01 | Safety Valve   | 1   |
| 5    | SAC5000S-SA06 | Quick Coupling | 1   |

**NOTE:** It is our policy to continually improve products and as such we reserve the right to alter data, specifications and component parts without prior notice. There may be alternative versions of this product, please contact us should you require this information.

**IMPORTANT:** No liability is accepted for incorrect use of product. Spare parts must be fitted by a competent person

**WARRANTY:** Guarantee is 12 months from purchase date, proof of which will be required for any claim.

Sealey Group, Kempson Way, Suffolk Business Park, Bury St Edmunds, Suffolk. IP32 7AR



01284 757500



sales@sealey.co.uk



www.sealey.co.uk