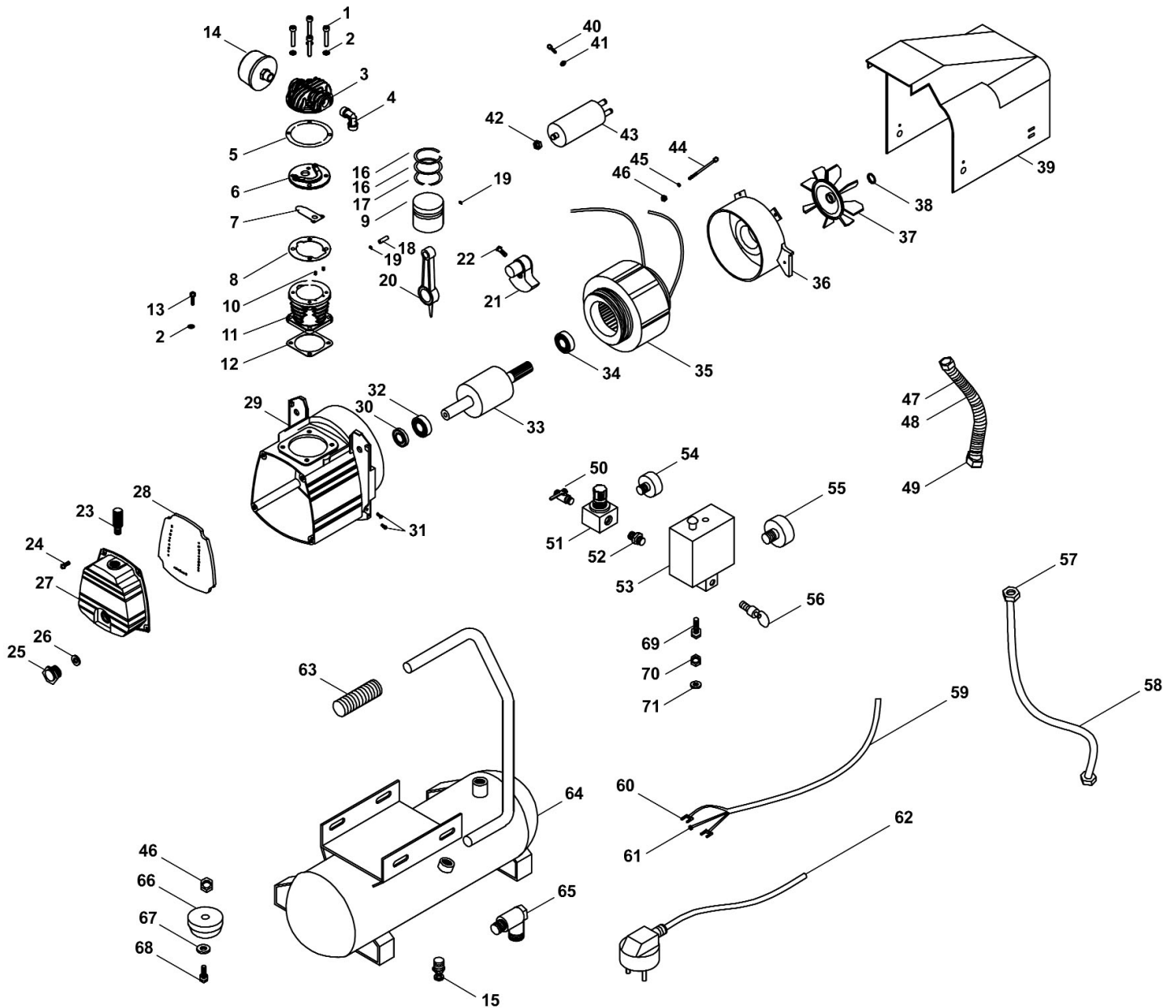




Parts Information:
Compressor 6ltr Direct Drive 1hp
Model No: SAC0610E



NOTE: It is our policy to continually improve products and as such we reserve the right to alter data, specifications and component parts without prior notice.

IMPORTANT: No liability is accepted for incorrect use of product.

WARRANTY: Guarantee is 12 months from purchase date, proof of which will be required for any claim.

Sealey Group, Kempson Way, Suffolk Business Park, Bury St Edmunds, Suffolk. IP32 7AR



01284 757500



01284 703534



sales@sealey.co.uk



www.sealey.co.uk



Parts Information:
Compressor 6ltr Direct Drive 1hp
Model No: SAC0610E

Item	Part No.	Description
1	SAC0610E.01	HEAD BOLT (M6x40)
2	SAC0610E.02	SPRING WASHER M6
3	SAC0610E.03	CYLINDER HEAD
4	SAC0610E.04	ELBOW
5	SAC0610E.05	GASKET
6, 7, 8	SAC0610E.06	VALVE PLATE ASSEMBLY
9	SAC0610E.09	PISTON
10	SAC0610E.10	LOCATING PIN 3X6
11	SAC0610E.11	CYLINDER 42mm
12	SAC0610E.12	CYLINDER GASKET
13	SAC0610E.13	BOLT (M6x20)
14	SAC9411129	AIR FILTER (16mm THREAD)
--	SAC5030VE.75	DRAIN VALVE 1/4"BSP MALE (NOT SHOWN)
16, 17	SAC0610E.16	COMPRESSION RING (inc. 17) SET OF 3
18	SAC0610E.18	SPRING PIN 12X37.5
19	SAC0610E.19	CIRCLIP
20	SAC5020E.20	CONNECTING ROD
21	SAC0610E.21	CRANK SHAFT
22	SAC0610E.22	BOLT (M8x30)
23	SAC5030VE.2.12	BREATHER (5/8" UNF THREAD)
24	SAC0610E.24	BOLT (M5x14)
25, 26	SA2225-V3.27	OIL SIGHT GLASS RING
27	SAC0610E.27	FRONT CAP
28	SAC0610E.28	GASKET
29	SAC0610E.29	CRANKCASE
30	SAC0610E.30	SHAFT SEAL
31	SAC0610E.31	BOLT (M5x12)
32	B/6003	BEARING 6003
33	SAC0610E.33	ROTOR
34	B/6202	BEARING 6202
35	SA2306.35	STATOR
36	SAC0610E.36	MOTOR BRACKET
37	SAC0610E.37	FAN (120)

Item	Part No.	Description
38	SAC5020E.42	FAN RING
39	SAC0610E.39	PUMP HOUSING
40	SAC0610E.40	BOLT (M3x06)
41	SAC0610E.41	SPRING WASHER
42	SN8.S	STEEL NUT M8 ZINC DIN934 (SINGLE)
43	SAC0610E.43	CAPACITOR 25uf CBB60 450v 50/60hz 80x40
44	SAC0610E.44	BOLT (M5x160)
45	SAC0610E.45	SPRING WASHER M5
46	SN5.S	STEEL NUT M5 ZINC DIN934 (SINGLE)
47, 48, 49	SA2306.56	EXHAUST PIPE (56) COOLER (57) NUT (58)
50	SAC5030VE.79	BALL VALVE 1/4"BSP MALE X2
51	SAC5030VE.80	REGULATOR
52	SAC5030VE.82	UNION 1/4"BSP MALE X2 L;28mm
53	SA2225-V3.58	PRESSURE SWITCH 15Amp 12 Bar 175psi
54	SAC5020E.61	GAUGE 200psi, 40mm OD, REAR MOUNTING
55	SAC0610E.55	PRESSURE GAUGE (d.50),0-200psi,rear fitt
56	SAC5020E.55	SAFETY VALVE 8bar 1/4"BSP MALE
57, 58	SAC0610E.58	UNLOADING PIPE
59	SAC0610E.59	ELECTRIC CABLE
60	SAC0610E.60	CABLE CONNECTOR (U)
61	SAC0610E.61	CABLE CONNECTOR (O)
62	SAC0610E.62	POWER LEAD
63	SAC0610E.63	HANDLE GRIP
64	SAC0610E.64	TANK 6ltr
65	SA9506.53	CHECK VALVE
66	SAC5020E.73	RUBBER FOOT
67	SAC0610E.67	WASHER M5
68	SAC0610E.68	BOLT (M5x20)
69	SAC0610E.69	NUT
70	SAC0610E.70	CONNECTOR
71	SAC0610E.71	WASHER
--	SAC0610E.P	PUMP COMPLETE (NOT SHOWN)

NOTE: It is our policy to continually improve products and as such we reserve the right to alter data, specifications and component parts without prior notice.

IMPORTANT: No liability is accepted for incorrect use of product.

WARRANTY: Guarantee is 12 months from purchase date, proof of which will be required for any claim.

Sealey Group, Kempson Way, Suffolk Business Park, Bury St Edmunds, Suffolk. IP32 7AR



01284 757500



01284 703534



sales@sealey.co.uk



www.sealey.co.uk