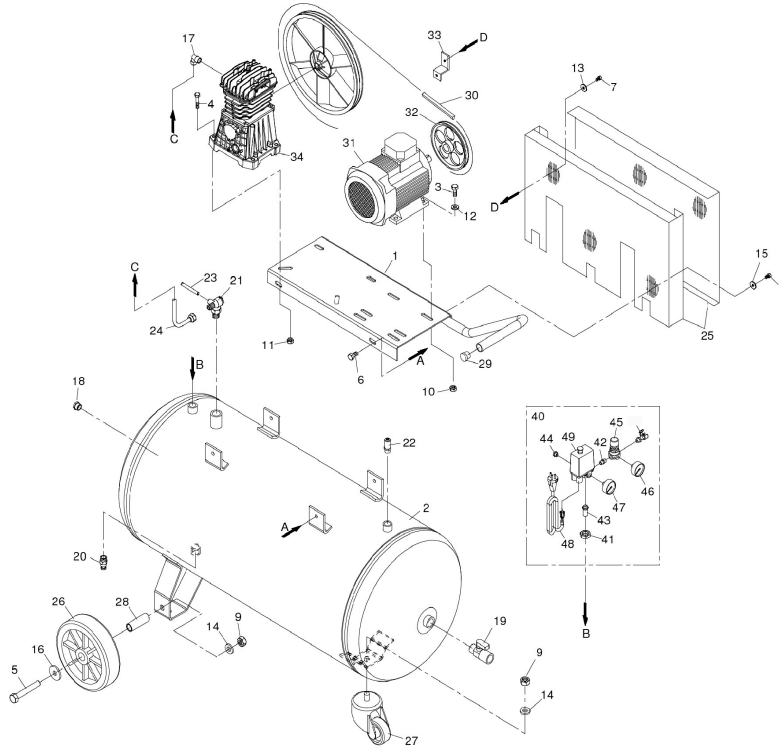




Parts Information:  
**Compressor 100ltr Belt Drive 2hp with Cast  
 Cylinders & Wheels**  
**Model No: SAC0102B**



Item	Part No.	Description
1	SAC5010990008	BASE PLATE
2	SAC5159151008	TANK 100ltr
3	SS825.S	HEX HEAD SET SCREW M8x25mm SINGLE
4	SS1045.S	HEX HEAD SET SCREW M10x45mm SINGLE
5	HHB1280.S	HEX HEAD BOLT M12x80mm SINGLE
6	SFS1020.S	HEX HEAD FLANGE BOLT M10x20 SINGLE
7	MSP512.S	MACHINE SCREW PAN HEAD PHILLIPS M5x12mm
8	SAC7012170000	SCREW (M5x8)
9	SN12.S	STEEL NUT M12 ZINC DIN934(SINGLE)
10	SN8.S	STEEL NUT M8 ZINC DIN934 (SINGLE)
11	SN10.S	STEEL NUT M10 ZINC DIN934(SINGLE)
12	FWM8.S	FLAT WASHER M8 SINGLE
13	RW625.S	REPAIR WASHER M6x25 (SINGLE)
14	FWM12.S	FLAT WASHER M12 SINGLE
15	RW619.S	REPAIR WASHER M6x19 (SINGLE)
16	RW1235.S	REPAIR WASHER M12x35 (SINGLE)
17	SAC7080160000	ELBOW 1/2"BSP MALE X2
18	SAC7090030000	PLUG 1/2
19	SAC7130150000	BALL VALVE 1/2"BSP FEMALE-1/2"BSP MALE
20	SAC7130160000	DRAIN VALVE 3/8"BSP MALE
21	SAC7190090000	NON-RETURN VALVE
22	SAC7192090000	SAFETY VALVE 10bar 3/8"BSP MALE
23	SAC7230010000	RISLAN HOSE (SOLD PER 1 METER)

Item	Part No.	Description
24	SAC7237570000	DELIVERY PIPE
25	SAC4170010000	BELT GUARD KIT
26	SAC7260060000	WHEEL, FIXED (174x21x42)
27	SAC7260110000	WHEEL, CASTOR (81x5x23x110)
28	SAC7330010000	WHEEL SPACER
29	SAC7360020000	END PLUG
30	V/A46	V-BELT (ID-1168) A46
31	SAC7381390000	MOTOR
32	SAC7408310000	MOTOR PULLEY - 145MM SINGLE BELT (STANDA
33	SAC7458510000	BELT GUARD SUPPORT
34	SAC9100280000	PUMP UNIT
40	SAC4057620000	PRESSURE SWITCH KIT 16/20Amp 12Bar 175Ps
41	SAC7023050000	LOCK NUT
42	SAC7081090000	UNION 1/4"BSP M-1/4"BSP M L:25mm
43	SAC7088060000	CONNECTOR
44	SAC7090090000	PLUG 1/4"
45	SAC7100640000	PRESSURE REDUCER
46	SAC7110240000	PRESSURE GAUGE 240psi, 43mm OD, REAR FIT
47	SAC9700001789	PRESSURE GAUGE 230 psi, 50mm OD, rear fi
48	SAC7130570000	COUPLING BODY 1/4"BSP MALE
49	SAC7250360000	PRESSURE SWITCH 20Amp
--	SAC7329010000	POWER CABLE (NOT SHOWN)

**NOTE:** It is our policy to continually improve products and as such we reserve the right to alter data, specifications and component parts without prior notice.

**IMPORTANT:** No liability is accepted for incorrect use of product.

**WARRANTY:** Guarantee is 12 months from purchase date, proof of which will be required for any claim.

Sealey Group, Kempson Way, Suffolk Business Park, Bury St Edmunds, Suffolk. IP32 7AR



01284 757500



01284 703534



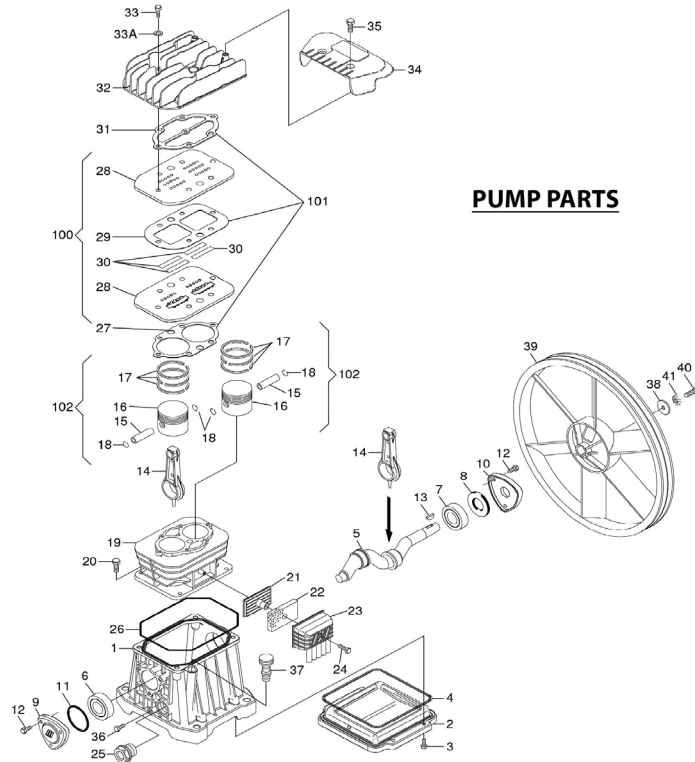
sales@sealey.co.uk



www.sealey.co.uk



Parts Information:  
**Compressor 100ltr Belt Drive 2hp with Cast  
 Cylinders & Wheels**  
**Model No: SAC0102B**



**PUMP PARTS**

Item	Part No.	Description
1	SAC9700001075	CRANKCASE
2	SAC9700001076	CRANKCASE COVER
3	SAC9700000531	SCREW (M5x12)
4	SAC9700001077	CRANKCASE BASE SEAL
5	SAC9100270140	CRANKSHAFT
6	B/6203	BEARING 6203
7	B/6204	BEARING 6204
8	SAC9100270150	OIL SEAL
9	SAC9100270160	FRONT COVER
10	SAC9100270170	REAR COVER
11	SAC9100280010	O-RING 46.2x39.6x3.3 (FRONT COVER SEAL)
12	SS616.S	HEX HEAD SET SCREW M6x16mm SINGLE
13	SAC9100280020	KEY
14	SAC9100280030	CON-ROD
15	SAC9100020080	PISTON PIN
16	SAC9100020120	PISTON
17	SAC4080030000	PISTON RING SET
18	SAC9100010580	SEEGER RING
19	SAC7575230000	CYLINDER
20	SAC7012220000	SCREW
21	SAC9100280040	FILTER PLATE
22	SAC9100280050	FILTER ELEMENT
23	SAC9100280060	INTAKE FILTER

Item	Part No.	Description
24	SS445.S	HEX HEAD SET SCREW M4x45mm SINGLE
25	SAC9100280070	OIL SIGHT GLASS
26	SAC9100270180	GASKET, CYLINDER BASE
27	SAC9100270190	GASKET
28	SAC9100280080	VALVE PLATE (CAST SQUARED ENDS,METAL GAS)
29	SAC9100270200	GASKET
30	SAC9100280090	VALVE
31	SAC9100270210	GASKET
32	SAC9100280100	HEAD
33	SCB835.S	SOCKET HEAD CAP SCREW M8x35
33A	FWM8.S	FLAT WASHER M8 SINGLE
34	SAC9100270220	COVER
35	MSP512.S	MACHINE SCREW PAN HEAD PHILLIPS M5x12mm
36	SS616.S	HEX HEAD SET SCREW M6x16mm SINGLE
37	SAC1129700300	BREATHER PLUG
38	RW825.S	REPAIR WASHER M8x25 (SINGLE)
39	SAC9100270230	FLYWHEEL
40	SS825.S	HEX HEAD SET SCREW M8x25mm SINGLE
41	SAC7031010000	TOOTHED WASHER
100	SAC9100280210	VALVE PLATE KIT (ROUNDED ENDS)
101	SAC9700000078	GASKET KIT
102	SAC4291030000	PISTON GROUP

**NOTE:** It is our policy to continually improve products and as such we reserve the right to alter data, specifications and component parts without prior notice.

**IMPORTANT:** No liability is accepted for incorrect use of product.

**WARRANTY:** Guarantee is 12 months from purchase date, proof of which will be required for any claim.

**Sealey Group**, Kempson Way, Suffolk Business Park, Bury St Edmunds, Suffolk. IP32 7AR



01284 757500



01284 703534



sales@sealey.co.uk



www.sealey.co.uk