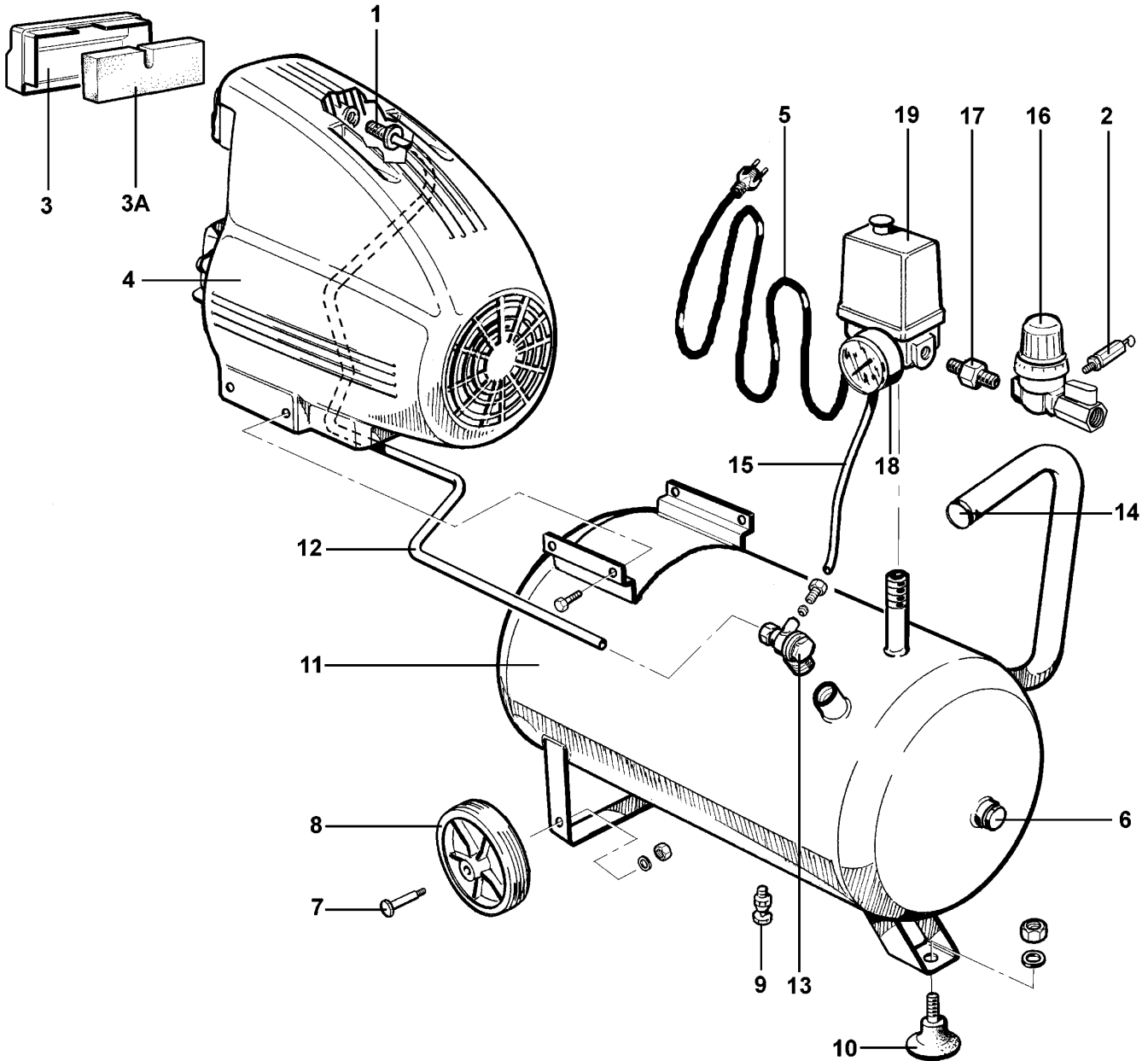


COMPRESSOR

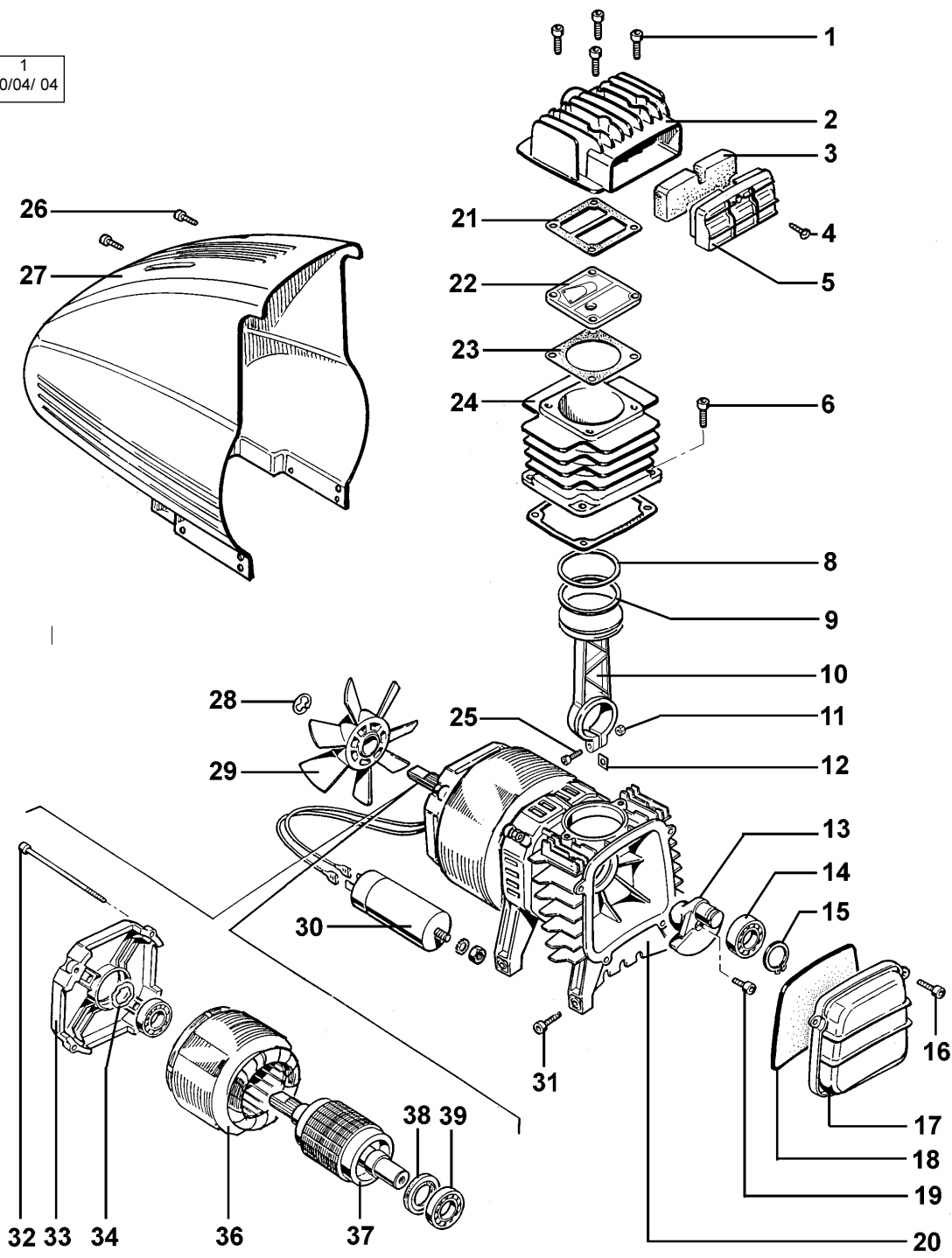
Issue: 1
 Date: 30/04/04



ITEM	PART NO	DESCRIPTION	ITEM	PART NO	DESCRIPTION
1	SH16903380	CONNECTION 3/8" D.8 -10	10	SH16500310	RUBBER FOOT D50 H50 M8
2	SH14401420	SAFETY VALVE 1/2" 8 BEAR	11	SH11903140	TANK 25LTR
3	SH35601020	AIR FILTER COVER	12	SH14304400	AIR INLET PIPE (25LTR)
3A	SH35601030	AIR FILTER	13	SH14400920	NON RETURN VALVE
4	SH10001550	PUMP GROUP 1.5HP	14	SH16500350	PLUG, HANDLE
5	CS 2.5M3BLK	CORD SET 2.5M 3 CORE BLK	15	SH14300980	AIR PIPE, PLASTIC
6	SH16901890	PLUG, TANK 1/2" BSP	16	SH13000340	REGULATOR C/W TAP
7	SH13200160	WHEEL BOLT	17	SA1/1414	1/4" BSPT MALE - 1/4" BSPT MALE
8	SH12507270	WHEEL	18	SH15000050	PRESSURE GAUGE
9	SH15300320	DRAIN VALVE, CONDENSATE	19	SH12800320	NEW TYPE PRESSURE SWITCH

PUMP

Issue: 1
 Date: 30/04/04



ITEM	PART NO	DESCRIPTION	ITEM	PART NO	DESCRIPTION	ITEM	PART NO	DESCRIPTION
1	SH17300580	HEAD BOLTS	14	B/6203	BEARING 6203	27	SH13600160	COVER 2.0HP & 2.5HP
2	SH31301000	HEAD	15	SH17600060	CIRCLIP	28	SH17600050	CIRCLIP
3	SH35601030	AIR FILTER	16	SH17300170	SCREW PUMP COVER	29	SH11000020	FAN
4	SH17300630	SCREW D3.9 X 9.5	17	SH10400250	BASE COVER	30	SH19201220	CONDENSOR
5	SH35601020	AIR FILTER COVER	18	SH16400010	SOUND DEADENING FOAM	31	SH17300170	SCREW, PUMP COVER
6	SH17300570	SCREW 6 x 18	19	SH17300170	SCREW 8 x 20	32	SH17300810	MOTOR TENSION BOLT, 2HP
8	SH11200150	PISTON RING PTFE	20	SH1310017A	CRANK CASE	33	SH1040005A	REAR CASING
9	SH17600310	METAL RING FOR PISTON	21	SH10500100	HEAD GASKET	34	SH13300050	COMPENSATION RING
10	SH1110005B	CON ROD	22	SH12700200	VALVE PLATE	36	SH13300910	FIELD COIL
11	SH37400230	NUT	23	SH10500090	GASKET, CYLINDER/VALVE	37	SH13300930	ARMATURE
12	SH17500570	CON ROD WASHER	24	SH1160023A	CYLINDER	38	SH10300110	OIL SEAL
13	SH1020009A	CRANKSHAFT	25	SH37305035	BOLT	39	B/6204	BEARING, 6204
			26	SH17300170	SCREW, PUMP COVER			