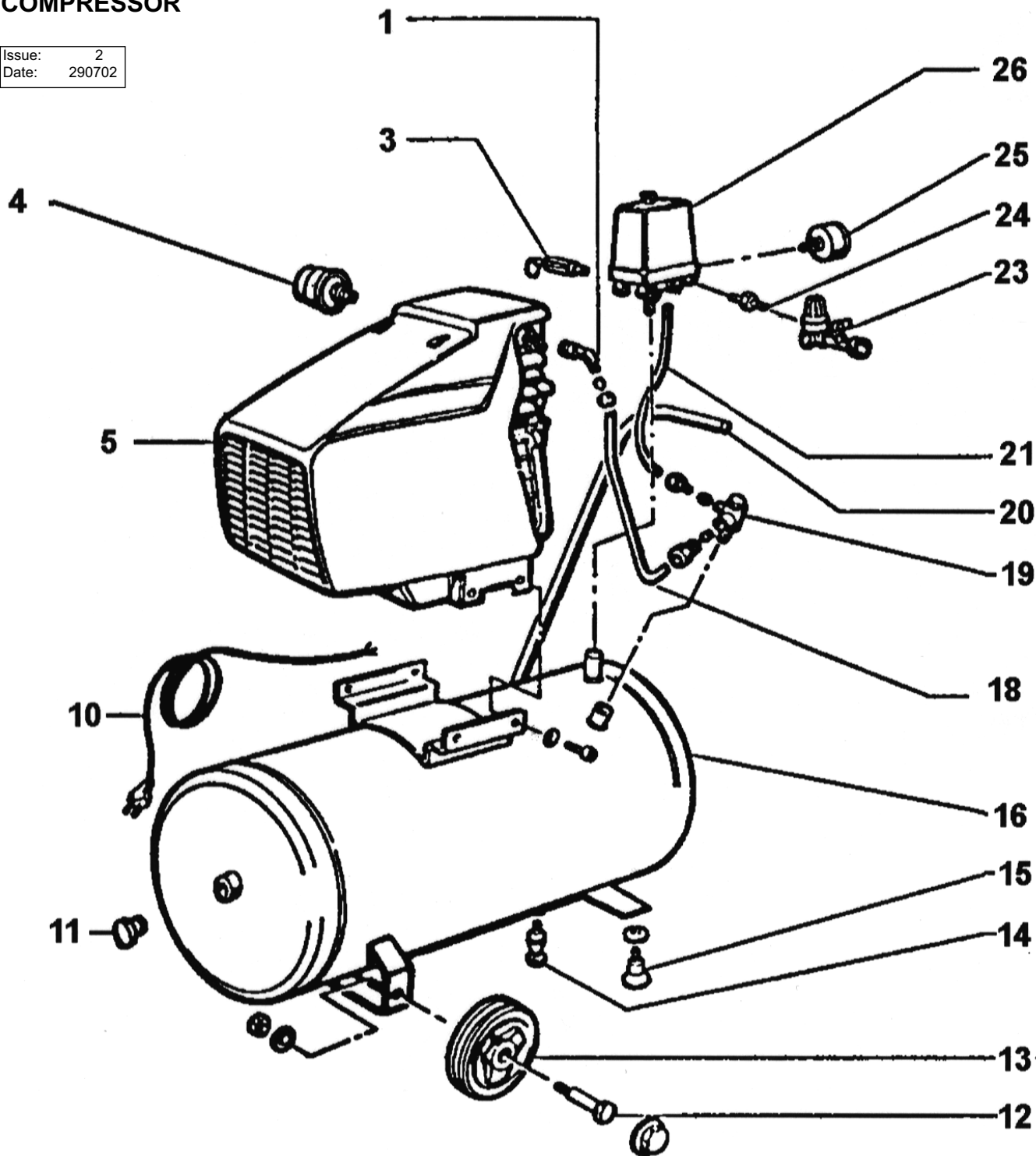


## COMPRESSOR

Issue: 2  
 Date: 290702

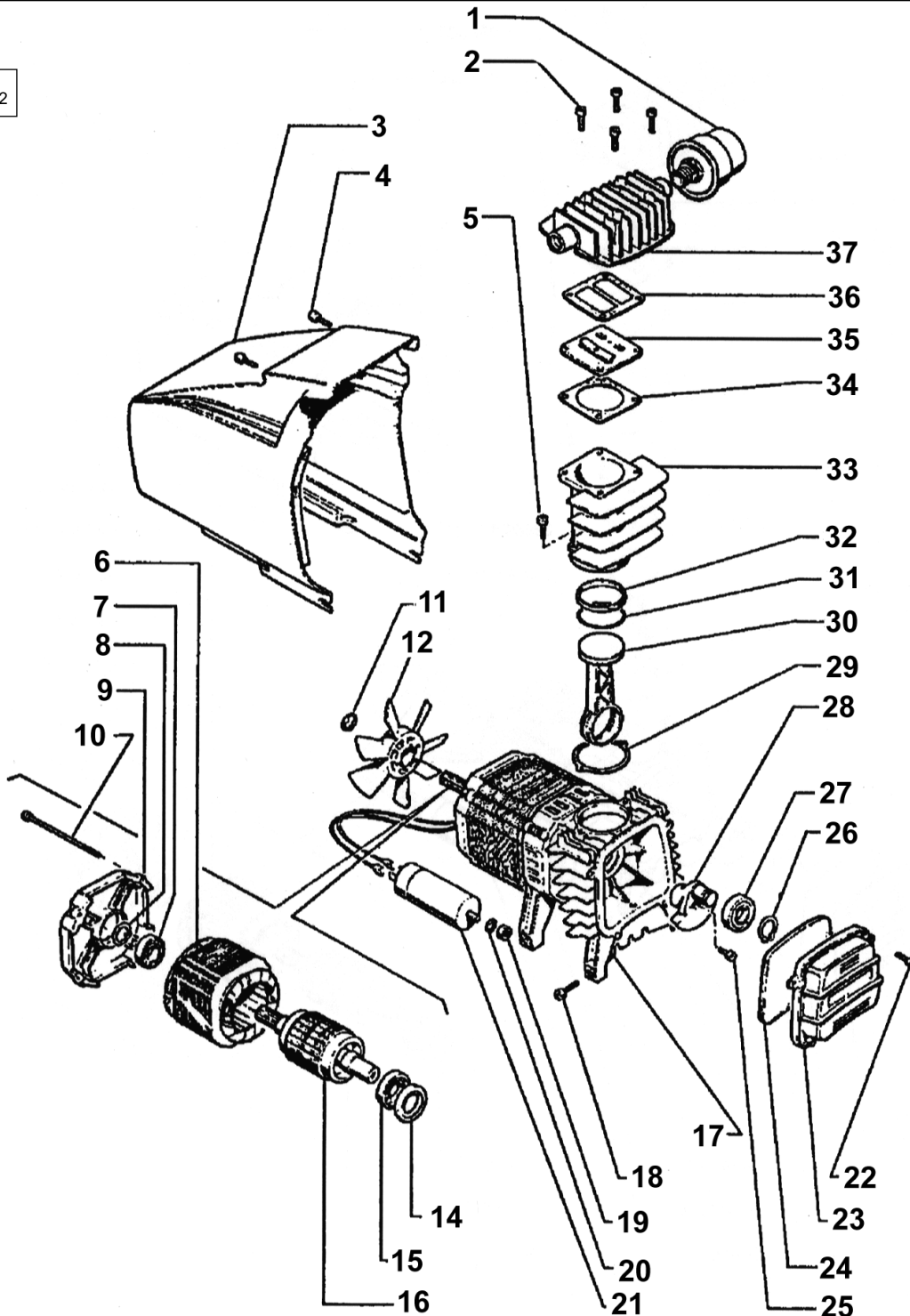


ITEM	PART NO	DESCRIPTION
1	SH16901140	90% UNION 1/2
3	SH14400350	SAFETY VALVE
4	SH15600250	AIR FILTER
5	SH10000010	PUMP COMPLETE/D8 OIL LESS
10	SH16600150	MAINS CABLE
11	SH16901890	PLUG / TANK 1/2
12	SH13200210	AXLE
13	SH13200220	WHEELS
14	SH15300320	CONDENSATION DRAIN VALVE
15	SH16500320	RUBBER FOOT

ITEM	PART NO	DESCRIPTION
16	SH11900470	TANK 25 LITRE
18	SH14300710	INLET AIR PIPE 25 LITRE
19	SH14400680	NON RETURN VALVE 1/2
20	SH16500350	PLUG / HANDLE
21	SH14300980	AIR TUBE (WHITE)
23	SH13000080	AIR REGULATOR
24	SH16902140	1/4 ADAPTOR M/MALE
25	SH15000050	PRESSURE GAUGE
26	SH12800240	PRESSURE SWITCH

## PUMP

Issue: 2  
Date: 290702



ITEM	PART NO	DESCRIPTION	ITEM	PART NO	DESCRIPTION	ITEM	PART NO	DESCRIPTION
1	SH15600250	AIR FILTER	14	SH10300110	SEAL	26	SH17600060	CIRCLIP
2	SH17300580	HEAD BOLT	15	SH10300050	BEARING B/6204	27	SH10300100	BEARING / CRANK B/6203
3	SH13600030	PUMP COVER	16	SH13300790	ARMATURE	28	SH10200090	CRANK
4	SH17300170	SCREW	17	SH13100170	CRANK CASE	29	SH10500080	BASE GASKET
5	SH17300570	SCREW	18	SH17300170	SCREW PUMP COVER	30	SH11100050	PISTON ASSEMBLY
6	SH13300400	FIELD COIL	19	SH17400080	NUT	31	SH10500180	O-RING / PISTON
7	SH10300060	BEARING B/6202	20	SH17500290	WASHER	32	SH11200150	PISTON RING PTFE
8	SH13300050	COMPENSATION RING	21	SH19201220	CONDENSER	33	SH1160023A	CYLINDER
9	SH10400050	REAR CASING	22	SH17300170	SCREW, PUMP COVER	34	SH10500090	GASKET/CYLINDER-VALVE PLATE
10	SH17300060	MOTOR TENSION BOLT	23	SH10400130	BASE COVER	35	SH12700180	VALVE PLATE
11	SH17600050	CIRCLIP	24	SH16400010	SOUND FOAM	36	SH10500100	HEAD GASKET
12	SH11000020	FAN	25	SH17300040	SCREW LEFT / HD	37	SH11300020	CYLINDER HEAD