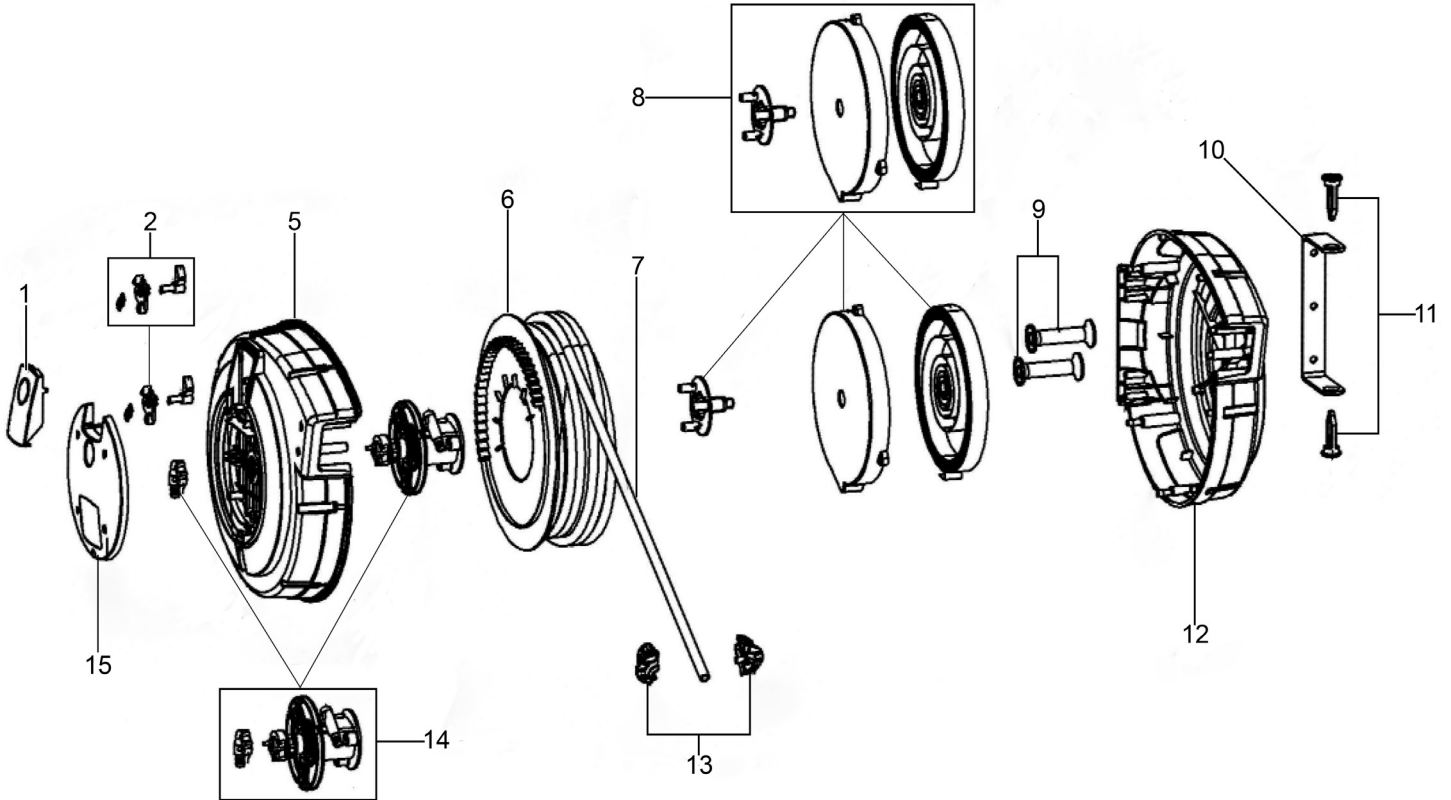


Parts Information:  
**Retractable Air Hose Reel HD Mechanism**  
**15m Ø8mm ID - PU Hose**  
**Model No: SA894.V3**



Item	Part No.	Description
1	198.330114	Cover, Locking System
2	198.704904	Pawl Assembly
5	198.331020	Casing, Left
6	198.331205	Spool
7	198.703025	Hose
8	198.705026	Spring Assembly
9	198.331220	Guide Roller
10	198.620125	Wall Bracket

Item	Part No.	Description
11	198.324230	Support Pin
12	198.331120	Casing, Right
13	198.323344	Hose Stopper (c/w Screws)
14	198.704025	Air Pivot
15	198.330112	Cover
--	198/323337	Pawl Support (Not Shown)
--	198/323336	Pawl (Not Shown)
--	198.331206	Spool (Not Shown)

**NOTE:** It is our policy to continually improve products and as such we reserve the right to alter data, specifications and component parts without prior notice. There may be alternative versions of this product, please contact us should you require this information.

**IMPORTANT:** No liability is accepted for incorrect use of product. Spare parts must be fitted by a competent person

**WARRANTY:** Guarantee is 12 months from purchase date, proof of which will be required for any claim.