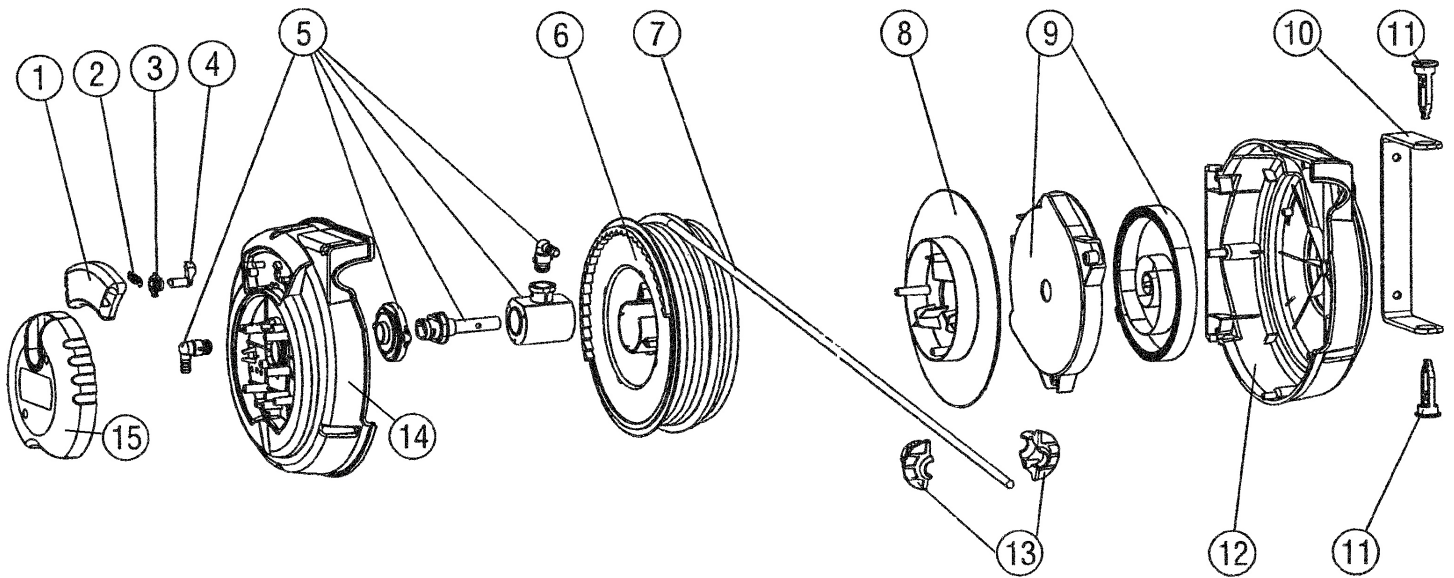




Parts Information:  
**Retractable Air Hose Reel HD Mechanism**  
**9mtr Ø8mm ID Polyurethane Hose**  
**Model No: SA893.V3**



Item	Part No.	Description
1	198.324206	Pawl Cover
2	198.704904	Pawl (Complete, Includes Spring & Support)
3	198/324204	Pawl Support
4	198.704904	Pawl (Complete, Includes Spring & Support)
5	198.704029	Swivel Body Assembly
6	198.322124	Cable Reel
7	198.703015	Hose
8	198.322127	Back Plate

Item	Part No.	Description
9	198.705040	Backing Plate C/W Hose Return Spring
10	198.620125	Wall Bracket
11	198.324230	Support Pin
12	198.328025	Red Cover, Right
13	198.323344	Hose Stopper With Screws
14	198.328125	Red Cover, Left
15	198.324280	Cover

**NOTE:** It is our policy to continually improve products and as such we reserve the right to alter data, specifications and component parts without prior notice.

**IMPORTANT:** No liability is accepted for incorrect use of product.

**WARRANTY:** Guarantee is 12 months from purchase date, proof of which will be required for any claim.

Sealey Group, Kempson Way, Suffolk Business Park, Bury St Edmunds, Suffolk. IP32 7AR



01284 757500



01284 703534



sales@sealey.co.uk



www.sealey.co.uk