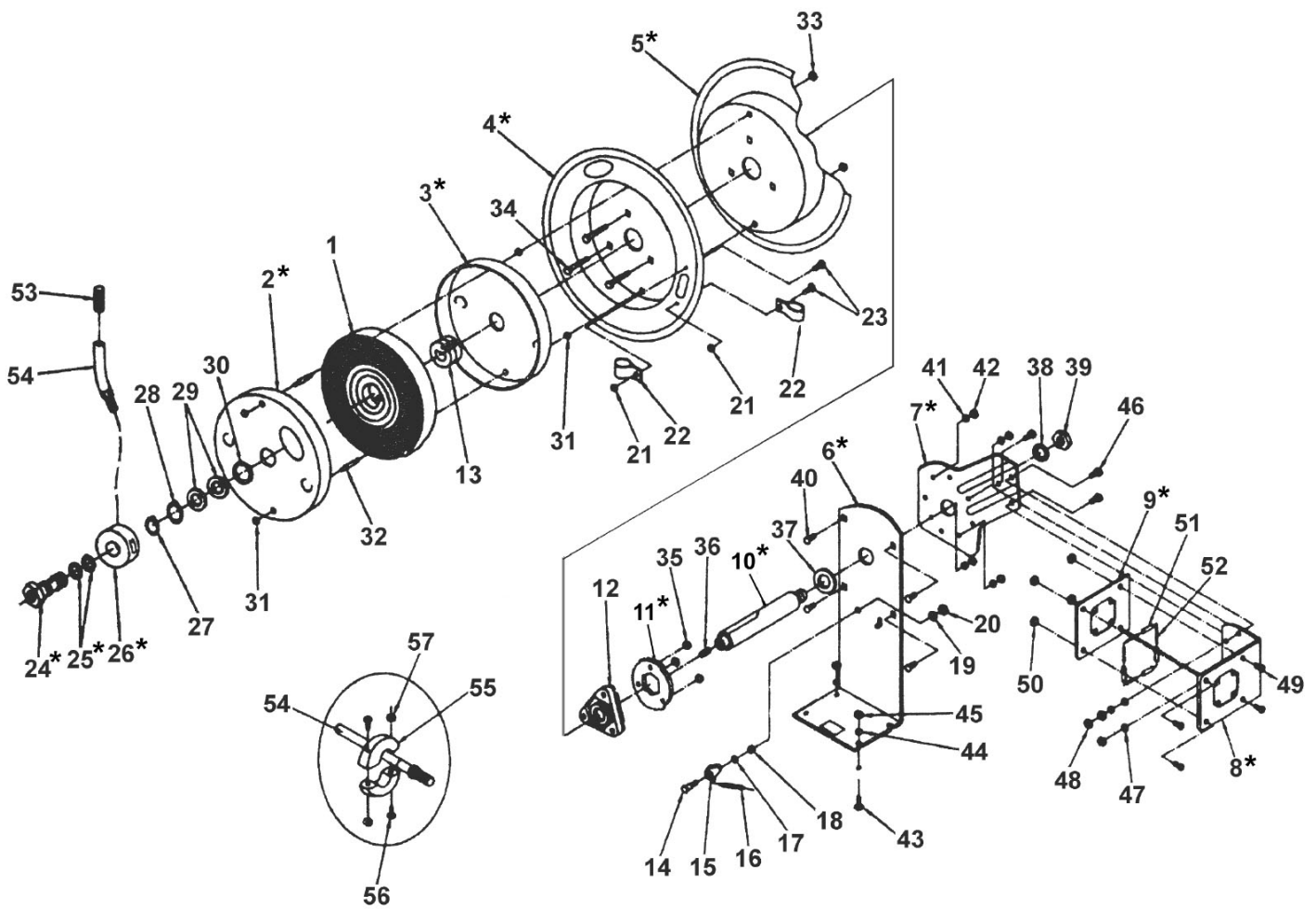




Parts Information:
Retractable Air Hose Steel Reel 8mtr
Ø10mm ID Rubber Hose
Model No: SA84



NOTE: It is our policy to continually improve products and as such we reserve the right to alter data, specifications and component parts without prior notice.

IMPORTANT: No liability is accepted for incorrect use of product.

WARRANTY: Guarantee is 12 months from purchase date, proof of which will be required for any claim.

Sealey Group, Kempson Way, Suffolk Business Park, Bury St Edmunds, Suffolk. IP32 7AR



01284 757500



01284 703534



sales@sealey.co.uk



www.sealey.co.uk



Parts Information:
Retractable Air Hose Steel Reel 8mtr
Ø10mm ID Rubber Hose
Model No: SA84

Item	Part No.	Description
--	SA84.01	COMPLETE SPRING SYSTEM (NOT SHOWN)
1A	SA84.01A	SPRING
2, 3, 4, 5	SA84.02-05	DRUM
6, 7, 8, 9, 10, 11	SA84.06-11	BASE, ARM, AXLE, PLATE AND RING ASSY
12	SA84.12	HUB BEARING ASSY
13	SA84.13	CORE OF SPRING
14	SA84.14	BOLT
15	SA84.15	CAM, LOCKING
16	SA84.16	SPRING, DOG
17	SWM8.S	SPRING WASHER M8 ZINC (SINGLE)
18	SA84.18	WASHER, SPACER
19	SA84.19	WASHER, LOCK
20	SN10.S	STEEL NUT M10 ZINC DIN934(SINGLE)
21	SA84.21	NUT
22	SA84.22	CLAMP
23	MSP510.S	MACHINE SCREW PAN HEAD PHILLIPS M5x10mm
24, 25, 26	SA84.24-26	VALVE ASSY
27	SA84.27	RETAINING RING
28	SA84.28	SPACER WASHER od32.3mm x id19.6mm
29	SA84.29	CIRCLIP
30	FWM20.S	FLAT WASHER M20 SINGLE
31	SA84.31	NUT
32	SA84.32	DOUBLE END THREAD AXLE
33	SA84.33	NUT
34	CBN635.S	COACH BOLT M6x35mm (SINGLE)

Item	Part No.	Description
35	SA84.35	NUT
36	SA84.36	SET SCREW
37	SA84.37	WASHER SPACER
38	SWM16.S	SPRING WASHER M16 ZINC (SINGLE)
39	SN16.S	STEEL NUT M16 ZINC DIN934(SINGLE)
40	SA84.40	CUP HEAD BOLT SQUARE NECK M8X40
41	SA84.41	WASHER, LOCK
42	NLN8.S	NYLOC NUT M8 ZINC DIN 985 (SINGLE)
43	SA84.43	BOLT
44	SA84.44	WASHER SPACER
45	SA84.45	NUT
46	SS816.S	HEX HEAD SET SCREW M8x16mm SINGLE
47	FWM8.S	FLAT WASHER M8 SINGLE
48	NLN8.S	NYLOC NUT M8 ZINC DIN 985 (SINGLE)
49	MSP510.S	MACHINE SCREW PAN HEAD PHILLIPS M5x10mm
50	SN5.S	STEEL NUT M5 ZINC DIN934 (SINGLE)
51	SA841.51	ROLLER (18.5x36mm) SINGLE
52	SA84.52	AXLE FOR ROLLER
53	SA84.53	GUARD HOSE 20mm x 80mm
54	SA84.54	HOSE RED 10MM X 3/8 BSPT M X 1/4 BSPT M
55	SA841.55	RUBBER BUMPER BLOCK (CONSISTS OF 2 HALVE
56	MSP825.S	MACHINE SCREW PAN HEAD PHILLIPS M8x25mm
57	SA84.57	NUT
--	SA85PB	PIVOT BASE 340deg for SA84, SA841 & SA85 (NOT SHOWN)
--	SA85SP	SWIVEL PLATE for SA84, SA841 & SA85 (NOT SHOWN)
--	SA84.58	AIR INLET HOSE (NOT SHOWN)

NOTE: It is our policy to continually improve products and as such we reserve the right to alter data, specifications and component parts without prior notice.

IMPORTANT: No liability is accepted for incorrect use of product.

WARRANTY: Guarantee is 12 months from purchase date, proof of which will be required for any claim.

Sealey Group, Kempson Way, Suffolk Business Park, Bury St Edmunds, Suffolk. IP32 7AR



01284 757500



01284 703534



sales@sealey.co.uk



www.sealey.co.uk