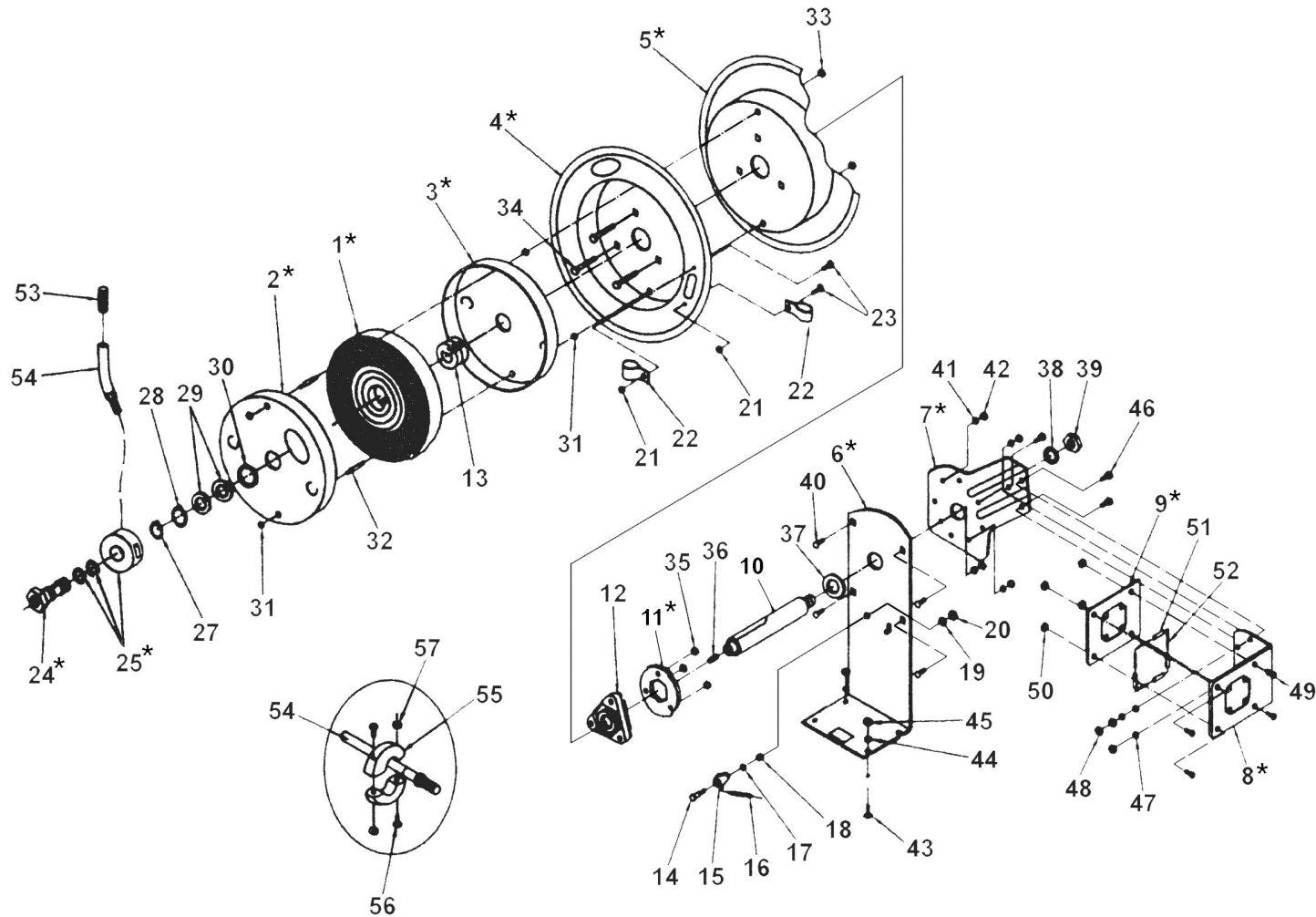




Parts Information:  
Retractable Air Hose Metal Reel 15mtr Ø10mm ID Rubber Hose  
Model No: SA841



**NOTE:** It is our policy to continually improve products and as such we reserve the right to alter data, specifications and component parts without prior notice.

**IMPORTANT:** No liability is accepted for incorrect use of product.

**WARRANTY:** Guarantee is 12 months from purchase date, proof of which will be required for any claim.

Sealey Group, Kempson Way, Suffolk Business Park, Bury St Edmunds, Suffolk. IP32 7AR



01284 757500



01284 703534



sales@sealey.co.uk



www.sealey.co.uk



Parts Information:  
**Retractable Air Hose Metal Reel 15mtr**  
**Ø10mm ID Rubber Hose**  
**Model No: SA841**

Item	Part No.	Description
1	SA841.01	COMPLETE SPRING SYSTEM (PARTS 1,2,3,13)
2	SA841.02	DRUM ASSEMBLY (PARTS 2,3,4,5)
6	SA841.06	BASE,ARM,PLATE & RING ASM (PARTS 6,7,8,9,11)
10	SA841.10	AXLE
12	SA841.12	HUB BEARING ASSEMBLY
13	SA841.13	CORE OF SPRING
14	SA841.14	BOLT (M10X35)
15	SA841.15	CAM,LOCKING
16	SA841.16	SPRING,DOG
17	SA841.17	WASHER,SPACER (13.5X1.6mm)
18	SA841.18	WASHER,SPACER (13.5X6.6mm)
19	SWM10.S	SPRING WASHER M10 ZINC (SINGLE)
20	SN10.S	STEEL NUT M10 ZINC DIN934(SINGLE)
21	SA841.33	SERRATED NUTS, KEPS 5mm
22	SA841.22	CLAMP
23	SA841.23	BOLT (5X9.5mm)
24	SA84.24-26	VALVE ASSY
25	SA84.24-26	VALVE ASSY
27	SA841.27	RETAINING RING (18.5x1mm)
28	SA841.28	RETAINING RING (19x2mm)
29	FWM18.S	FLAT WASHER M18 SINGLE
30	FWM24.S	FLAT WASHER M24 SINGLE
31	SA841.31	NUT
32	SA841.32	AXLE,THREADED, (5x53mm)
33	SA841.33	SERRATED NUTS, KEPS 5mm
34	SA841.34	CUP HEAD SQUARE NECK BOLT M6X38

Item	Part No.	Description
35	SA841.35	NUT,KEPS 6mm
36	SA841.36	SET SCREW (10x30mm)
37	SA841.37	SEALING RING (25.5x2.5mm)
38	SWM16.S	SPRING WASHER M16 ZINC (SINGLE)
39	SN16.S	STEEL NUT M16 ZINC DIN934(SINGLE)
40	SA841.40	COACH BOLT 5/16 X 3/4 UNC
41	FWM8.S	FLAT WASHER M8 SINGLE
42	NLN8.S	NYLOC NUT M8 ZINC DIN 985 (SINGLE)
43	SS1025.S	HEX HEAD SET SCREW M10x25mm SINGLE
44	FWM10.S	FLAT WASHER M10 SINGLE
45	NLN38.UNC	NYLOC NUT 3/8" UNC (SINGLE)
46	SA841.46	BOLT (8x18mm)
47	FWM8.S	FLAT WASHER M8 SINGLE
48	NLN8.S	NYLOC NUT M8 ZINC DIN 985 (SINGLE)
49	SA841.49	BOLT (5x9.5mm)
50	SN5.S	STEEL NUT M5 ZINC DIN934 (SINGLE)
51	SA841.51	ROLLER (18.5x36mm)
52	SA841.52	ROLLER AXLES(2 @ 6 X 50MM, 2 @ 6 X 85MM)
53	SA841.53	HOSE GUARD
54	SA841.54	HOSE RED 10MM X 3/8 BSPT M X 1/4 BSPT M
55	SA841.55	RUBBER BUMPER BLOCK (CONSISTS OF 2 HALVES)
56	MSP625.S	MACHINE SCREW PAN HEAD PHILLIPS M6x25mm
57	SN6.S	STEEL NUT M6 ZINC DIN934 (SINGLE)
--	SA841.58	AIR INLET HOSE (NOT SHOWN)
--	SA841.59	SPACER FOR AXLE (NOT SHOWN)

**NOTE:** It is our policy to continually improve products and as such we reserve the right to alter data, specifications and component parts without prior notice.

**IMPORTANT:** No liability is accepted for incorrect use of product.

**WARRANTY:** Guarantee is 12 months from purchase date, proof of which will be required for any claim.

**Sealey Group**, Kempson Way, Suffolk Business Park, Bury St Edmunds, Suffolk. IP32 7AR



01284 757500



01284 703534



sales@sealey.co.uk



www.sealey.co.uk