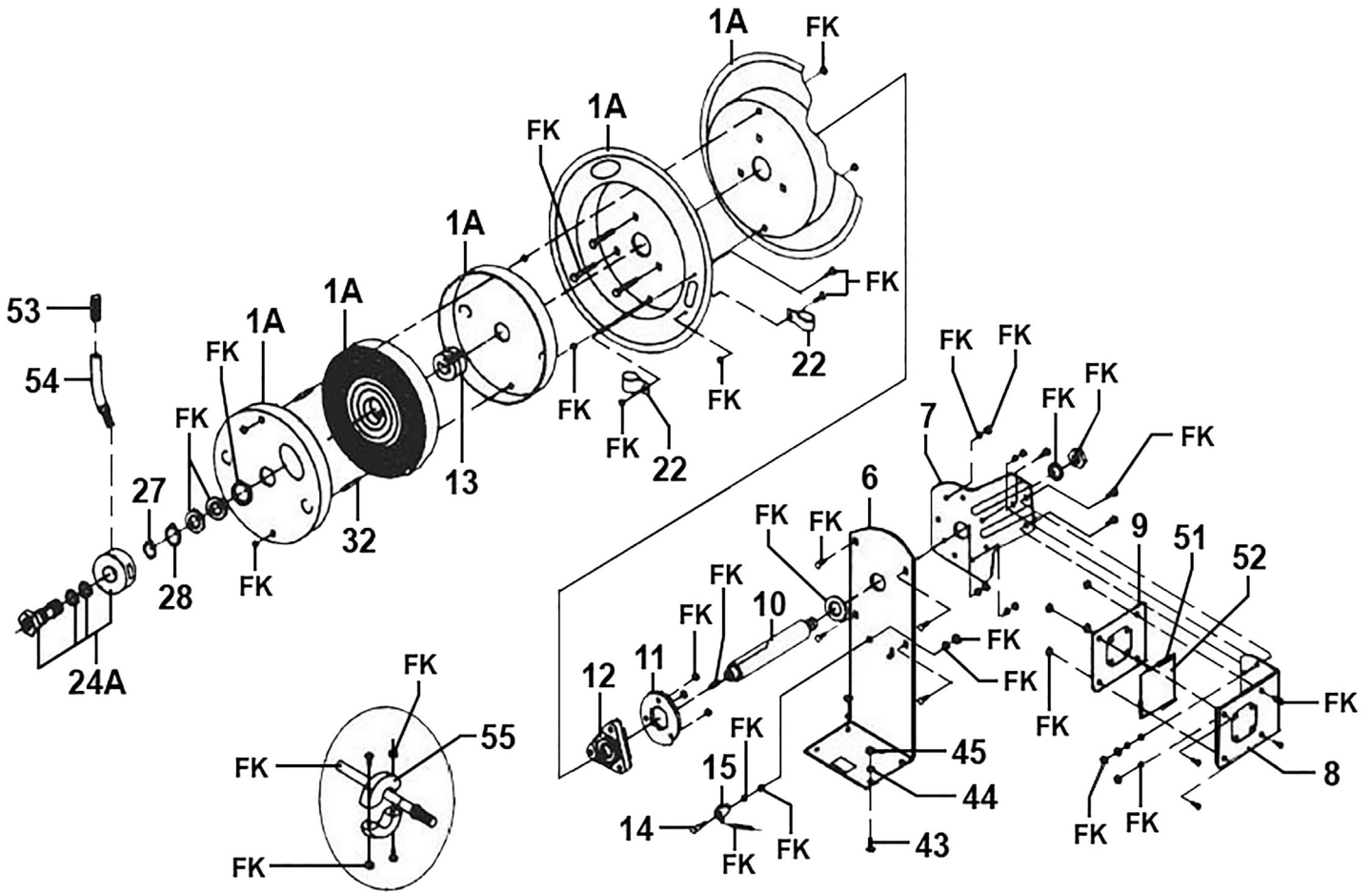


Parts Information:
Retractable Air Hose Metal Reels
Model No: SA841.V3, SA841HV.V3,
SA841HY.V2



Item	Part No.	Description
1A	SA841-V3-01A	Drum Assembly
6	SA841.V2-06	Arm
7	SA841.V2-07	Plate
8	SA841.V2-08	Guide Roller Bracket
9	SA85.V3-09	Back Plate
10	SA841.V2-10	Axle
11	SA841.V2-11	Ring
12	SA841.V2-12	Hub Bearing Assembly
13	SA841.V2-13	Core Of Spring
14	HHB1050.S	Hex Head Bolt M10 x 50mm
15	SA841.V2-15	Locking Pawl
22	SA841.V2-22	Clamp
24A	SA841.V2-24A	Valve Assembly
27	MC550.20	External Circlip 18.3mm ID
28	SM355B.40	External Circlip 15.6mm ID
32	SA841.V2-32	Axle, Threaded M5x53mm

Item	Part No.	Description
43	SS1025.S	Hex Head Set Screw M10 X 25 Zinc
44	SWM10.S	Spring Washer M10 Zinc
45	SN10.S	Steel Nut M10 Zinc
51	SA841.V2-51	Roller 34 X 18
52	SA841.V2-52	Axle For Roller 6x50mm
53	SA841.V2-53	Guard, Hose
54	SA841.V2-54	Hose-Red (SA841.V3 ONLY)
54	SA841HV-V3-54	Air Hose High-Visibility (SA841HV.V3 ONLY)
54	SA841HY-V2-54	Air Hose 15m x Ø10mm Hybrid High-Visibility (SA841HY.V2 ONLY)
55	SA85.V3-40	Hose Stopper
FK	SA841.V2-FK	Complete Kit for Fixings
--	SA841.V2-IH	Air Inlet Hose 3/8" BSPT Connection (Not Shown)
--	SA841.V2-51A	Roller 67 x 18 (Not Shown)

NOTE: It is our policy to continually improve products and as such we reserve the right to alter data, specifications and component parts without prior notice. There may be alternative versions of this product, please contact us should you require this information.

IMPORTANT: No liability is accepted for incorrect use of product. Spare parts must be fitted by a competent person

WARRANTY: Guarantee is 12 months from purchase date, proof of which will be required for any claim.