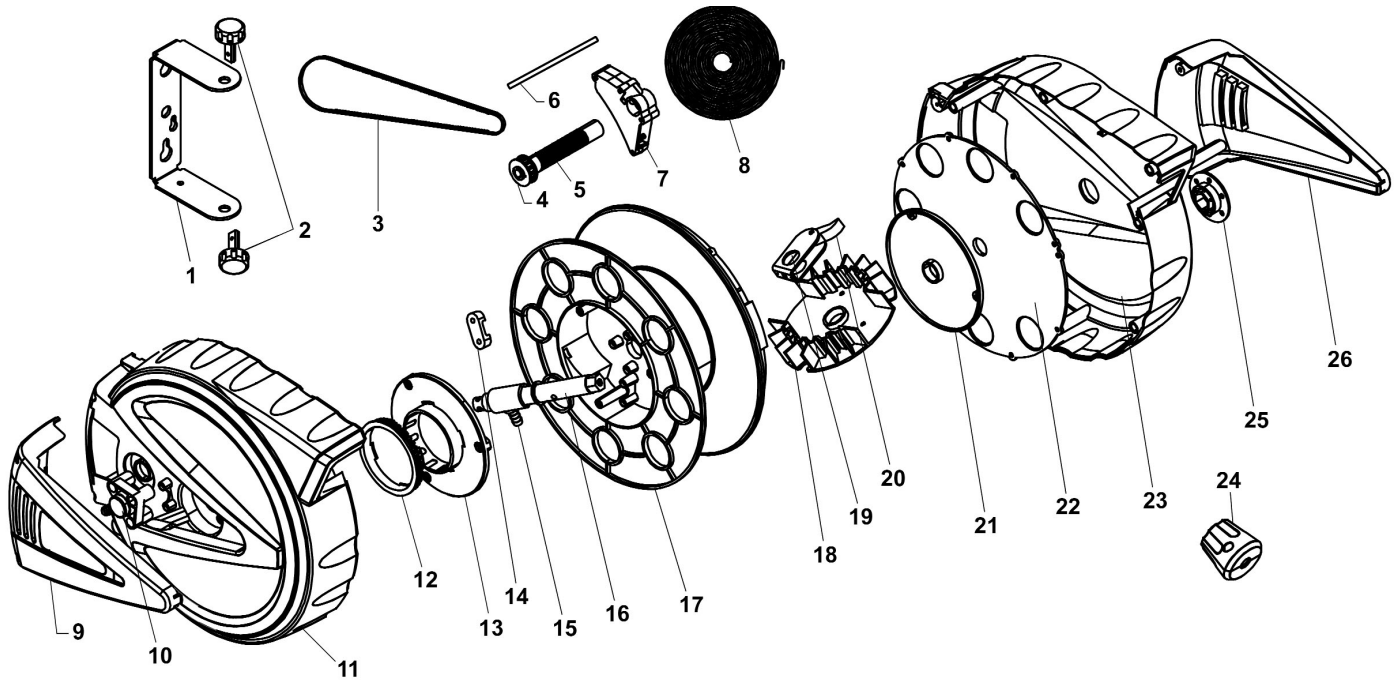


Parts Information:
**Retractable Air Hose Reel 10mtr 8mm ID
 PU Hose
 Model No: SA813.V2**



Item	Part No.	Description
1	SA814.V2-01	WALL BRACKET
2	SA814.V2-02	WALL BRACKET PIN
3	SA814.V2-03	BELT
4	SA814.V2-04	SMALL GEAR
5	SA814.V2-05	SHAFT
6	SA814.V2-06	AXLE
7	SA813.V2-07	RACK ASS'Y
8	SA814.V2-08	SPRING
9	SA814.V2-09	LEFT HAND CASE COVER
10	SA814.V2-10	INLET HOSE CONNECTOR
11	SA814.V2-11	LEFT HAND CASE
12	SA813.V2-12	GEAR
13	SA813.V2-13	GEAR RETURN PLATE
14	SA814.V2-13	CLIP
15	SA814.V2-14	INNER HOSE CONNECTOR
16	SA813.V2-16	MAIN SHAFT

Item	Part No.	Description
17	SA814.V2-16	DRUM
18	SA814.V2-17	RATCHET
19	SA814.V2-18	RATCHET BRACKET
20	SA814.V2-19	RATCHET PAWL
21	SA814.V2-20	SPRING INNER COVER
22	SA814.V2-21	SPRING OUTER COVER
23	SA814.V2-22	RIGHT HAND CASE
24	SA814.V2-25	STOP BALL
25	SA814.V2-23	TENSION COVER
26	SA814.V2-24	RIGHT HAND COVER
--	SA813.V2-H	HOSE 10mtr (NOT SHOWN)
--	SA813.V2-H2	AIR INLET HOSE (NOT SHOWN)
--	SA813.V2-HCF	HOSE CONNECTOR FEMALE (NOT SHOWN)
--	SA813.V2-HC	HOSE CONNECTOR MALE (NOT SHOWN)
--	SA812.V2-HC2	HOSE CLAMP (X 2 IN PACK) (NOT SHOWN)

NOTE: It is our policy to continually improve products and as such we reserve the right to alter data, specifications and component parts without prior notice.

IMPORTANT: No liability is accepted for incorrect use of product.

WARRANTY: Guarantee is 12 months from purchase date, proof of which will be required for any claim.