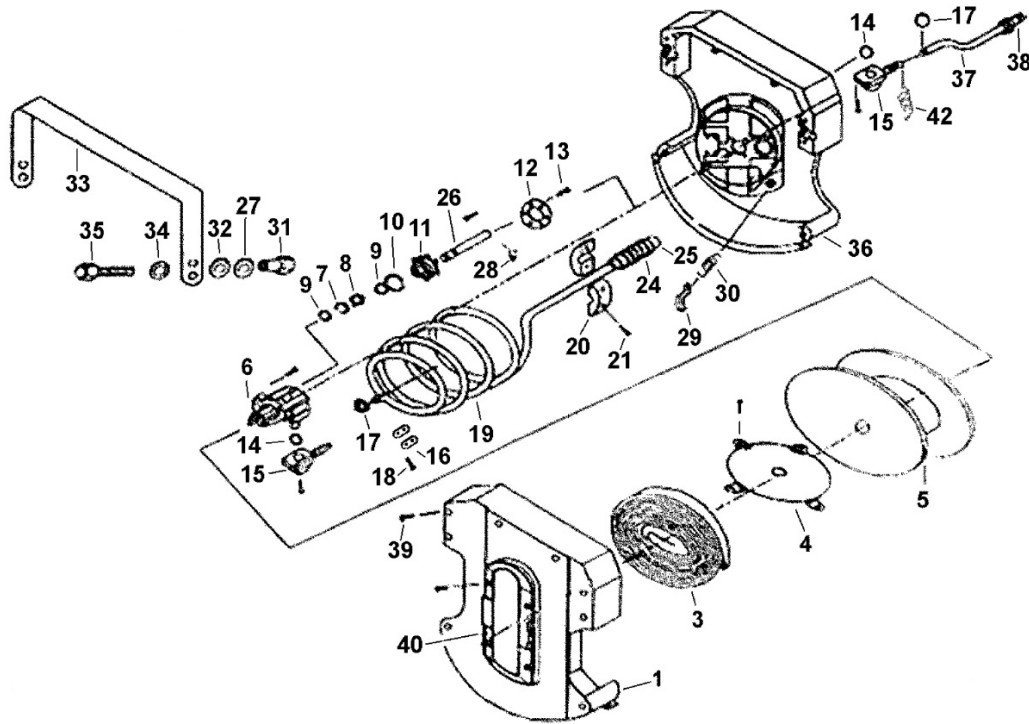


Parts Information:
Retractable Air Hose Reel 12mtr Ø6.5mm
ID - PU Hose
Model No: SA812



| Item | Part No. | Description |
|------|----------|--------------------|
| 1 | SA810.01 | Left cover |
| 3 | SA810.03 | Spring |
| 4 | SA810.04 | Spring cover |
| 5 | SA810.05 | Seat |
| 6 | SA810.06 | Axle |
| 7 | SA810.07 | Spacer |
| 8 | SA810.08 | Collar |
| 9 | SA810.09 | O-ring |
| 10 | SA810.10 | O-ring |
| 11 | SA810.11 | Cover |
| 12 | SA810.12 | Spacer |
| 13 | SA810.13 | Screw |
| 14 | SA810.14 | O-ring |
| 15 | SA810.15 | Connector |
| 16 | SA810.16 | Clip |
| 17 | SA810.17 | Hose clamp |
| 18 | SA810.18 | Screw |
| 19 | SA812.19 | Air hose 10m x 6mm |
| 20 | SA810.20 | Clip (c/w screw) |
| 21 | SA810.21 | Screw |
| 24 | SA810.24 | Rubber sleeve |

| Item | Part No. | Description |
|------|----------|---------------------------------|
| 25 | SA810.25 | Connector |
| 26 | SA810.26 | Axle |
| 27 | SWM14.S | Spring washer m14 zinc (single) |
| 28 | SA810.28 | Collar |
| 29 | SA810.29 | Pawl |
| 30 | SA810.30 | Spring |
| 31 | SA810.31 | Collared nut |
| 32 | SA810.32 | Plastic spacer, thin. |
| 33 | SA810.33 | Shelf |
| 34 | SA810.34 | Plastic spacer, thick |
| 35 | SA810.35 | Screw |
| 36 | SA810.36 | Right cover |
| 37 | SA810.37 | Inlet hose 11mm x 15mm x 800mm |
| 38 | SA810.38 | Connector |
| 39 | SA810.39 | Screw |
| 40 | SA810.40 | Cover |
| 42 | SA810.42 | Spring |
| 39 | SA810.39 | Screw |
| 40 | SA810.40 | Cover |
| 42 | SA810.42 | Spring |

NOTE: It is our policy to continually improve products and as such we reserve the right to alter data, specifications and component parts without prior notice.

IMPORTANT: No liability is accepted for incorrect use of product.

WARRANTY: Guarantee is 12 months from purchase date, proof of which will be required for any claim.