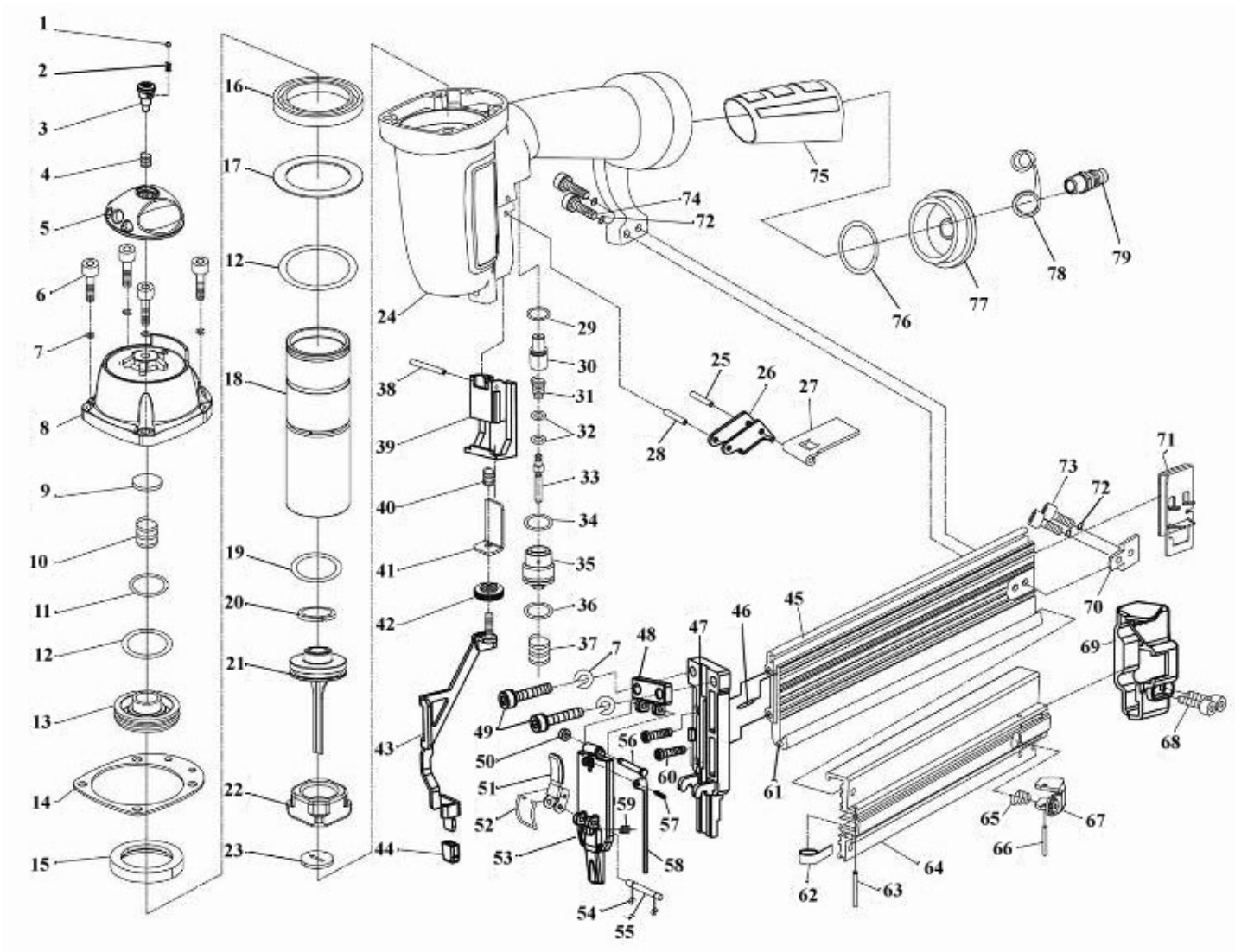




Parts Information:
Air Nail/Staple Gun 50mm/40mm Capacity
Model No: SA793



NOTE: It is our policy to continually improve products and as such we reserve the right to alter data, specifications and component parts without prior notice.

IMPORTANT: No liability is accepted for incorrect use of product.

WARRANTY: Guarantee is 12 months from purchase date, proof of which will be required for any claim.

Sealey Group, Kempson Way, Suffolk Business Park, Bury St Edmunds, Suffolk. IP32 7AR



01284 757500



01284 703534



sales@sealey.co.uk



www.sealey.co.uk



Parts Information:
Air Nail/Staple Gun 50mm/40mm Capacity
Model No: SA793

Item	Part No.	Description
1	SB-2.5	STEEL BALL 2.5mm
2	SA793.02	SPRING
3	SA793.03	BOLT M4X16
4	SA793.04	SPRING
5	SA793.05	AIR DEFLECTOR
6	SCB515.SB	SOCKET HEAD CAP SCREW M5x15 BLACK
7	SWM5.SB	SPRING WASHER M5 BLACK (SINGLE)
8	SA793.08	CYLINDER COVER
9	SA793.09	BUMPER
10	SA793.10	SPRING
11	SA793.11	O-RING 16x3
12	SA793.12	O-RING 33.6x2
13	SA793.13	SWITCH VALVE
14	SA793.14	WASHER
15	SA793.15	SEAL RING
16	SA793.16	COLLAR
17	SA793.17	COLLAR RING
18	SA793.18	CYLINDER
19	SA793.19	O-RING 23.6x2.65
20	SA793.20	PISTON SEAL RING
21	SA793.21	MAIN PISTON
22	SA793.22	BUMPER
23	SA793.23	SEAL WASHER
24	SA793.24	GUN BODY
25	SA793.25	PIN 3x16
26	SA793.26	TRIGGER
27	SA793.27	SPACER
28	SA793.28	PIN 3x30
29	SA793.29	O-RING 7x1.5
30	SA793.30	TRIGGER VALVE HEAD
31	SA793.31	SPRING
32	SA793.32	O-RING 1.9x1.1
33	SA793.33	TRIGGER VALVE STEM
34	SA793.34	O-RING 11.2x1.6
35	SA793.35	TRIGGER VALVE SEAT
36	SA793.36	O-RING 11.7x2.4
37	SA793.37	SPRING
38	SA793.38	PIN 3x26
39	SA793.39	ADJUSTABLE SEAT
40	SA793.40	PUSHER SPRING

Item	Part No.	Description
41	SA793.41	LEVER
42	SA793.42	ADJUSTABLE NUT
43	SA793.43	SAFETY STAND
44	SA793.44	SAFETY NOZZLE
45	SA793.45	FIX MAGAZINE
46	SA793.46	PIN 1x10
47	SA793.47	DRIVE GUIDE
48	SA793.48	SPACER
49	SCB525.SB	SOCKET HEAD CAP SCREW M5x25 BLACK
50	SA793.50	SNAP RETAINER
51	SA793.51	QUICK RELEASE HANDLE ASS'Y (INCLUDES PAR
52	SA793.51	QUICK RELEASE HANDLE ASS'Y (INCLUDES PAR
53	SA793.53	COVER PLATE
54	SA793.54	SNAP RETAINER
55	SA793.55	PIN
56	SA793.56	PIN
57	SA793.57	PIN 2x6
58	SA793.58	INNER LAYER
59	SA793.59	SPRING
60	SCB416.SB	SOCKET HEAD CAP SCREW M4x16 BLACK
61	SA793.61	SLICE
62	SA793.62	SPRING
63	SA793.63	PIN 3x20
64	SA793.64	MOVABLE MAGAZINE
65	SA793.65	SPRING
66	SA793.66	PIN
67	SA793.67	FIXED BLOCK
68	SA793.68	SKT. HD BOLT M4X8
69	SA793.69	FIXED SEAT
70	SA793.70	FIXED PLATE
71	SA793.71	PUSHER
72	SWM4.SB	SPRING WASHER M4 BLACK (SINGLE)
73	SCB46.SB	SOCKET HEAD CAP SCREW M4x6 BLACK
74	SCB48.SB	SOCKET HEAD CAP SCREW M4x8 BLACK
75	SA793.75	HANDLE CASE
76	SA793.76	O-RING 42.5x2.65
77	SA793.77	END CAP
78	SA793.78	AIR PLUG CASE
79	SA793.79	AIR INLET PLUG

NOTE: It is our policy to continually improve products and as such we reserve the right to alter data, specifications and component parts without prior notice.

IMPORTANT: No liability is accepted for incorrect use of product.

WARRANTY: Guarantee is 12 months from purchase date, proof of which will be required for any claim.

Sealey Group, Kempson Way, Suffolk Business Park, Bury St Edmunds, Suffolk. IP32 7AR



01284 757500



01284 703534



sales@sealey.co.uk



www.sealey.co.uk