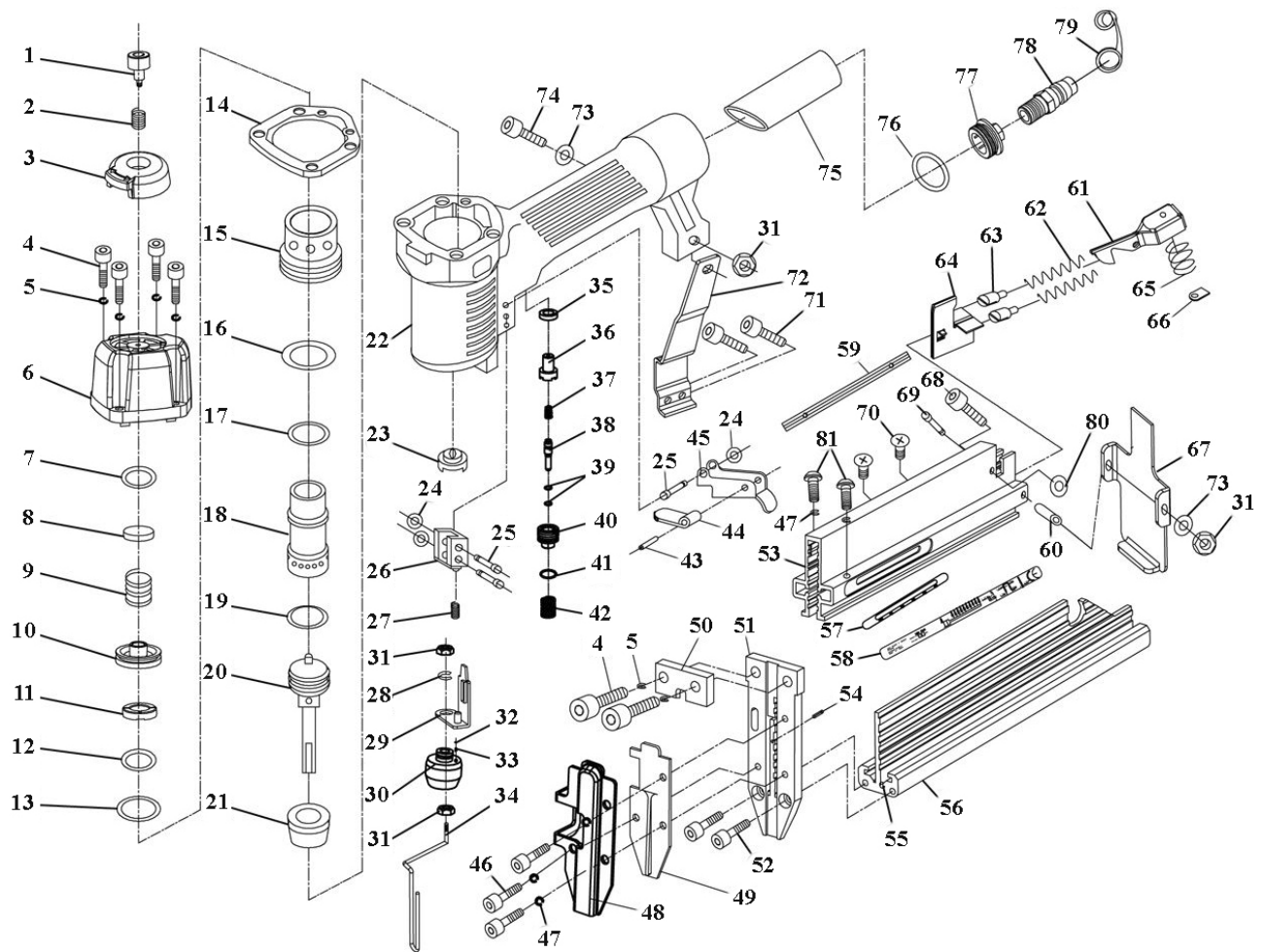




Parts Information:  
Air Nail/Staple Gun 50mm/40mm Capacity  
Model No: SA792.V2



**NOTE:** It is our policy to continually improve products and as such we reserve the right to alter data, specifications and component parts without prior notice.

**IMPORTANT:** No liability is accepted for incorrect use of product.

**WARRANTY:** Guarantee is 12 months from purchase date, proof of which will be required for any claim.

Sealey Group, Kempson Way, Suffolk Business Park, Bury St Edmunds, Suffolk. IP32 7AR



01284 757500



01284 703534



sales@sealey.co.uk



www.sealey.co.uk



Parts Information:  
Air Nail/Staple Gun 50mm/40mm Capacity  
Model No: SA792.V2

1	SA792.V2-01	HEX SOCKET HEAD SCREW
2	SA792.V2-02	COMPRESSED SPRING
3	SA792.V2-03	AIR DEFLECTOR
4	SCB420.SB	SOCKET HEAD CAP SCREW M4x20 BLACK
5	SWM5.SB	SPRING WASHER M5 BLACK (SINGLE)
6	SA792.V2-06	CYLINDER CAP
7	SA792.V2-07	O-RING (13.7x2.4)
8	SA792.V2-08	SEALING WASHER
9	SA792.V2-09	COMPRESSED SPRING
10	SA792.V2-10	HEAD VALVE
11	SA792.V2-11	SEALING WASHER
12	SA792.V2-12	O-RING (31.2x2.5)
13	SA792.V2-13	O-RING (24.8x3.5)
14	SA792.V2-14	CYLINDER CAP GASKET
15	SA792.V2-15	COLLAR
16	SA792.V2-16	O-RING (41.7x3)
17	SA792.V2-17	O-RING (26.2x2.4)
18	SA792.V2-18	CYLINDER
19	SA792.V2-19	O-RING (21x3)
20	SA792.V2-20	PISTON ASSEMBLY
21	SA792.V2-21	BUMPER
22	SA792.V2-22	GUN BODY
23	SA792.V2-23	RUBBER WASHER
24	SA792.V2-24	O-RING (1.7x2)
25	SA792.V2-25	PIN
26	SA792.V2-26	SAFETY SEAT
27	SA792.V2-27	COMPRESSED SPRING
28	SA792.V2-28	E-RING (6mm)
29	SA792.V2-29	SAFETY GUARD
30	SA792.V2-30	ADJUSTING NUT
31	SN4.S	STEEL NUT M4 ZINC DIN934 (SINGLE)
32	SA792.V2-32	COMPRESSED SPRING
33	SB-1.75	STEEL BALL 1.75mm
34	SA792.V2-34	SAFETY NOSE
35	SA792.V2-35	WASHER THICK RUBBER
36	SA792.V2-36	PISTON VALVE
37	SA792.V2-37	COMPRESSED SPRING
38	SA792.V2-38	VALVE STEM
39	SA792.V2-39	O-RING (2.5x1.5)
40	SA792.V2-40	TRIGGER VALVE GUIDE
41	SA792.V2-41	O-RING (11.2x2)
42	SA792.V2-42	COMPRESSED SPRING

Item	Part No.	Description
43	SA792.V2-43	ROLL PIN (2.5x16)
44	SA792.V2-44	SAFETY PLATE
45	SA792.V2-45	TRIGGER
46	SCB410.SB	SOCKET HEAD CAP SCREW M4x10 BLACK
47	SWM4.SB	SPRING WASHER M4 BLACK (SINGLE)
48	SA792.V2-48	NOSE COVER
49	SA792.V2-49	DRIVE GUIDE
50	SA792.V2-50	SPACER
51	SA792.V2-51	NOSE
52	SCB414.SB	SOCKET HEAD CAP SCREW M4x14 BLACK
53	SA792.V2-53	MAGAZINE
54	SA792.V2-54	ROLL PIN (1.5x10)
55	SA792.V2-55	INSERT
56	SA792.V2-56	SLIDING MAGAZINE
57	SA792.V2-57	SCALE
58	SA792.V2-58	MAGAZINE LABEL
59	SA792.V2-59	INLAY SLICE
60	SA792.V2-60	SPACER
61	SA792.V2-61	CATCH LEVER
62	SA792.V2-62	COMPRESSED SPRING
63	SA792.V2-63	PUSHER GROMMET
64	SA792.V2-64	PUSHER
65	SA792.V2-65	COMPRESSED SPRING
66	SA792.V2-66	FLAT BUTTON
67	SA792.V2-67	FIXED SEAT
68	SCB438.SB	SOCKET HEAD CAP SCREW M4x38 BLACK
69	SA792.V2-69	PIN
70	SA792.V2-70	HEAD SCREW (M4x6)
71	SCB46.SB	SOCKET HEAD CAP SCREW M4x6 BLACK
72	SA792.V2-72	SUPPORT SEAT
73	FWM4.SB	FLAT WASHER M4 BLACK (SINGLE)
74	SA792.V2-74	CAP SCREW (M4x20)
75	SA792.V2-75	RUBBER HANDLE GRIP
76	SA792.V2-76	O-RING (36.3x3.55)
77	SA792.V2-77	END CAP
78	SA792.V2-78	AIR INLET
79	SA792.V2-79	AIR INLET COVER
80	SA792.V2-80	O-RING (2.4x1.6)
81	SCB414.SB	SOCKET HEAD CAP SCREW M4x14 BLACK

**NOTE:** It is our policy to continually improve products and as such we reserve the right to alter data, specifications and component parts without prior notice.

**IMPORTANT:** No liability is accepted for incorrect use of product.

**WARRANTY:** Guarantee is 12 months from purchase date, proof of which will be required for any claim.

Sealey Group, Kempson Way, Suffolk Business Park, Bury St Edmunds, Suffolk. IP32 7AR



01284 757500



01284 703534



sales@sealey.co.uk



www.sealey.co.uk