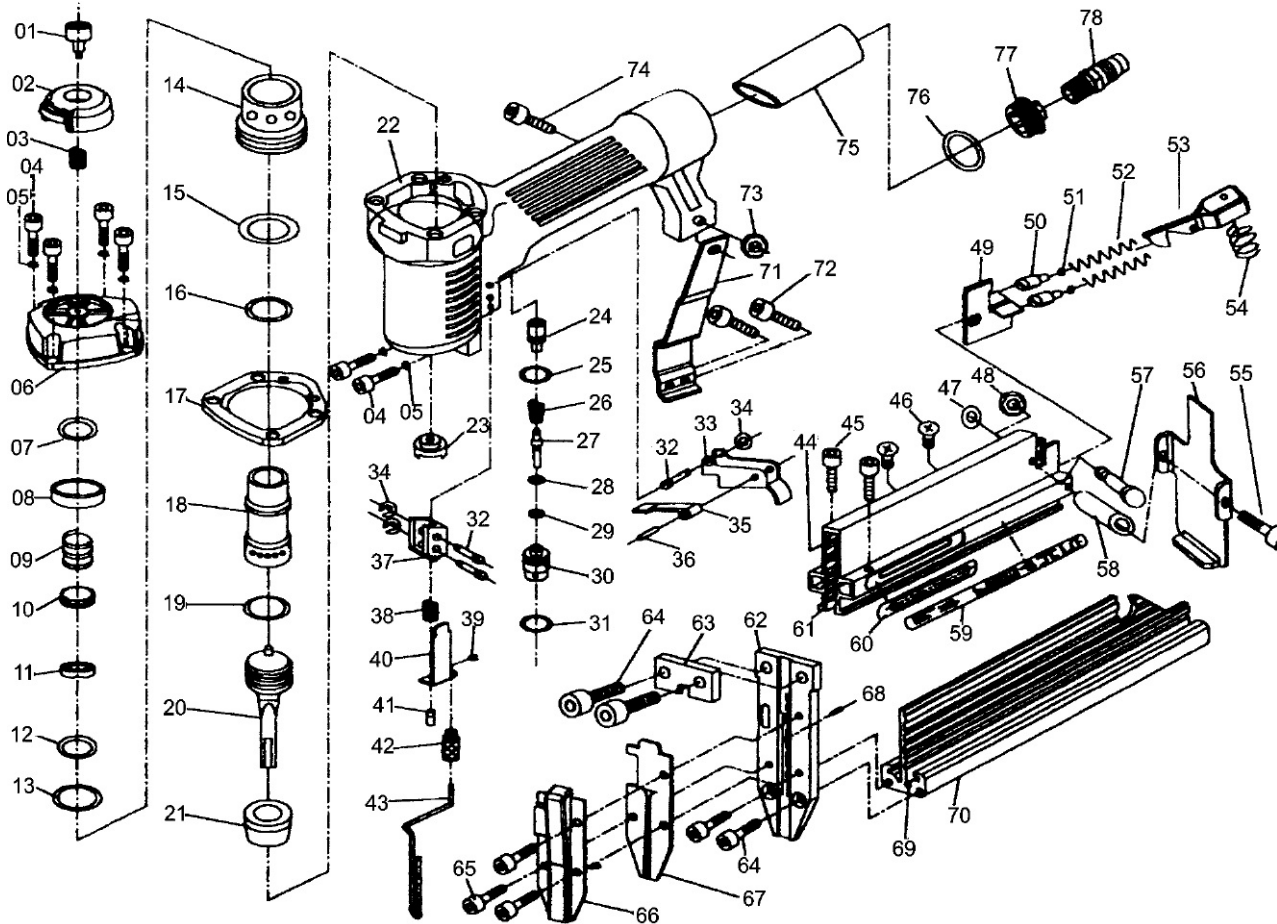




Parts Information:
Air Nail/Staple Gun 50mm/40mm Capacity
Model No: SA792



NOTE: It is our policy to continually improve products and as such we reserve the right to alter data, specifications and component parts without prior notice.

IMPORTANT: No liability is accepted for incorrect use of product.

WARRANTY: Guarantee is 12 months from purchase date, proof of which will be required for any claim.

Sealey Group, Kempson Way, Suffolk Business Park, Bury St Edmunds, Suffolk. IP32 7AR



01284 757500



01284 703534



sales@sealey.co.uk



www.sealey.co.uk



Parts Information:
Air Nail/Staple Gun 50mm/40mm Capacity
Model No: SA792

Item	Part No.	Description
1	SA792.01	Skt. hd bolt m4x12
2	SA792.02	Air deflector
3	SA792.03	Spring
4	SCB520.SB	Socket head cap screw m5x20 black
5	SWM5.SB	Spring washer m5 black (single)
6	SA792.06	Cylinder cap
7	SA792.V2-07	O-ring (13.7x2.4)
8	SA792.08	Sealing washer
9	SA792.09	Compressed spring
10	SA792.10	Piston stop
11	SA792.11	Sealing washer
12	SA792.V2-13	O-ring (24.8x3.5)
13	SA792.V2-12	O-ring (31.2x2.5)
14	SA792.14	Collar
15	SA792.15	O-ring 42.6 x 2.35
16	SA792.16	O-ring 30 x 1.8
17	SA792.17	Gasket
18	SA792.18	Cylinder
19	SA792.19	O-ring 29.7 x 3.55
20	SA792.20	Piston assembly
21	SA792.21	Bumper
22	SA792.22	Gun body
23	SA792.23	Grommet
24	SA792.24	Piston valve
25	SA792.25	O-ring 11 x 1.2
26	SA792.26	Spring 0.4 dia
27	SA792.27	Valve stem
28	SA792.28	O-ring 8 x 1
29	SA792.29	O-ring 1.9 x 1.1
30	SA792.30	Valve guide
31	SA792.31	O-ring 11.2 x 1.85
32	SA792.32	Pin
33	SA792.33	Trigger
34	SA792.34	E-ring
35	SA792.35	Safety plate
36	SA792.36	Pin 2.5*16
37	SA792.37	Safety guide
38	SA792.38	Spring
39	SA792.39	E-ring

Item	Part No.	Description
40	SA792.40	Spring guard ass'y with clip
41	SA792.40	Spring guard ass'y with clip
42	SA792.42	Adjusting nut
43	SA792.43	Safety system
44	SA792.44	Magazine cover
45	SA792.45	Bolt m4*12
46	SA792.46	Phillips bolt m4x6 flat head
47	SA792.47	O-ring 2.4 x 1.8
48	NLN4.S	Nyloc nut m4 zinc din 985 (single)
49	SA792.49	Pusher
50	SA792.50	Pusher stick
51	SA792.51	O-Ring 4.2 x 1.2
52	SA792.52	Pusher spring
53	SA792.53	Pusher knob
54	SA792.54	Compressed spring
55	SCB435.SB	Socket head cap screw m4x35 black
56	SA792.56	Fixed seat
57	SA792.57	Pin
58	SA792.58	Pipe
59	SA792.59	Sticker plate
60	SA792.60	Scutcheon
61	SA792.61	Sliding magazine
62	SA792.62	Nose
63	SA792.63	Spacer
64	SA792.64	Bolt m4*12
65	SA792.65	Skt. hd bolt m4x10
66	SA792.66	Nose cover
67	SA792.67	Cover
68	SA792.68	Pin 1.5 x 12
69	SA792.69	In-lay slice
70	SA792.70	Magazine
71	SA792.71	Fixed seat
72	SA792.72	Skt. hd bolt m4x8
73	SN4.S	Steel nut m4 zinc din934 (single)
74	SA792.74	Skt. hd bolt m4x16
75	SA792.75	Rubber handle case
76	SA792.76	O-ring 36.3 x 3.55
77	SA792.77	End cap
78	SA792.78	Air inlet 1/4 bsp male

NOTE: It is our policy to continually improve products and as such we reserve the right to alter data, specifications and component parts without prior notice.

IMPORTANT: No liability is accepted for incorrect use of product.

WARRANTY: Guarantee is 12 months from purchase date, proof of which will be required for any claim.

Sealey Group, Kempson Way, Suffolk Business Park, Bury St Edmunds, Suffolk. IP32 7AR



01284 757500



01284 703534



sales@sealey.co.uk



www.sealey.co.uk