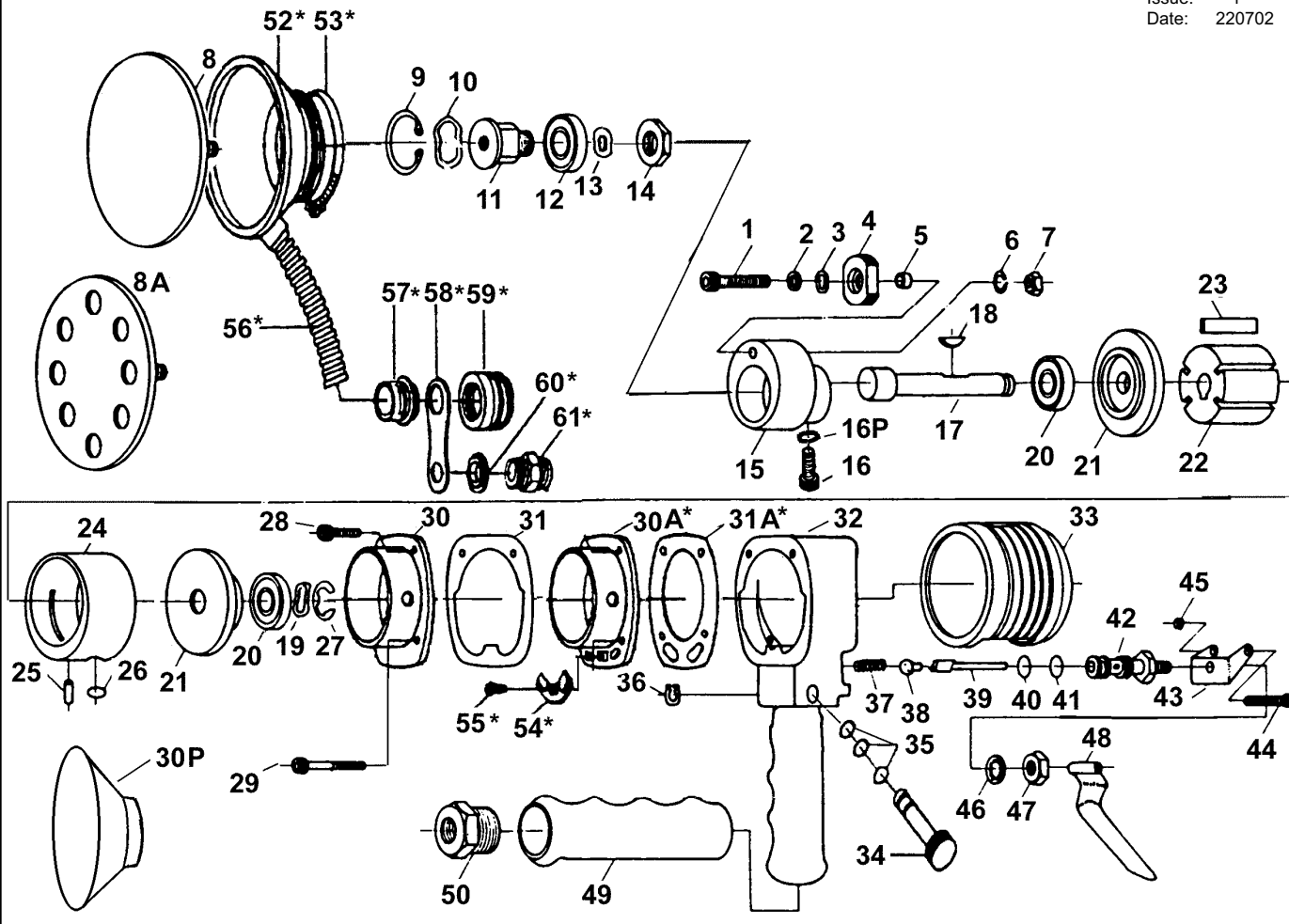


PARTS DIAGRAM AND LIST FOR:
RANDOM ORBITAL SANDER
 Model: **SA7/TAS**

Issue: 1
 Date: 220702



Item	Part No.	Description	Item	Part No.	Description	Item	Part No.	Description
1	SA7T/01	Hex. Screw	21	SA7T/21	End Plate	42	SA7T/42	Valve Bushing
2	SA7T/02	Flat Washer	22	SA7T/22	Rotor	43	SA7T/43	Bracket
3	SA7T/03	Wave Washer	23	SA7T/23	Rotor Blade	44	SA7T/44	Screw
4	SA7T/04	Balance Nut	24	SA7T/24	Cylinder	45	SA7T/45	Hex. Nut
5	SA7T/05	Spacer	25	SA7T/25	Pin	46	SA7T/46	Screw Washer
6	SA7T/06	Washer	26	SA7T/26	O-Ring	47	SA7T/47	Set Screw Nut
7	SA7T/07	Hex. Nut	27	SA7T/27	Retaining Ring	48	SA7T/48	Lever
8	SA7T/08	6" Sanding Pad	28	SA7T/28	Cap Screw	49	SA7T/49	Handle Cover
8A	AK289	6" Dust Free Sanding Pad (Stick on)	29	SA7T/29	Cap Screw	50	SA7T/50	Inlet Bushing
	AK290	6" Dust Free Sanding Pad (Velcro)	30	SA7T/30	Motor Cover			
9	SA7T/09	Retaining Ring	30P	SA7T/30P	Finger Cover	Dust Extractor Kit (Pt No: DFS/ACC3) -		
10	SA7T/10	Wave Washer	31	SA7T/31	Motor Gasket	Items 30, 31,52 - 61		
11	SA7T/11	Pad Mounting Shaft	32	SA7T/32	Motor Housing	52		Suction Cover
12	SA7T/12	Bearing	33	SA7T/33	Plastic Cover	53		Suction VCover Clamp
13	SA7T/13	Wave Washer	34	SA7T/34	Air Regulator	54		Exhaust Deflector
14	SA7T/14	Hex. Nut	35	SA7T/35	O-Ring	55		Screw
15	SA7T/15	Random Balance Body	36	SA7T/36	Retaining Ring	56		Suction Hose
16	SA7T/16	Hex. Screw	37	SA7T/37	Spring	57		Suction Hose Adaptor
16P	SA7T/16P	Washer	38	SA7T/38	Valve Ball	58		Set Plate
17	SA7T/17	Rotor Shaft	39	SA7T/39	Valve	59		Suction Joint
18	SA7T/18	Key	40	SA7T/40	O-Ring	60		Washer
19	SA7T/19	Wave Washer	41	SA7T/41	O-Ring	61		Nipple
20	SA7T/20	Bearing						

Note: Item(s) 8A are extras.



Sealey Group,
 Bury St. Edmunds,
 Suffolk.



01284 757500

E-mail: sales@sealey.co.uk



01284 703534

Web: www.sealey.co.uk